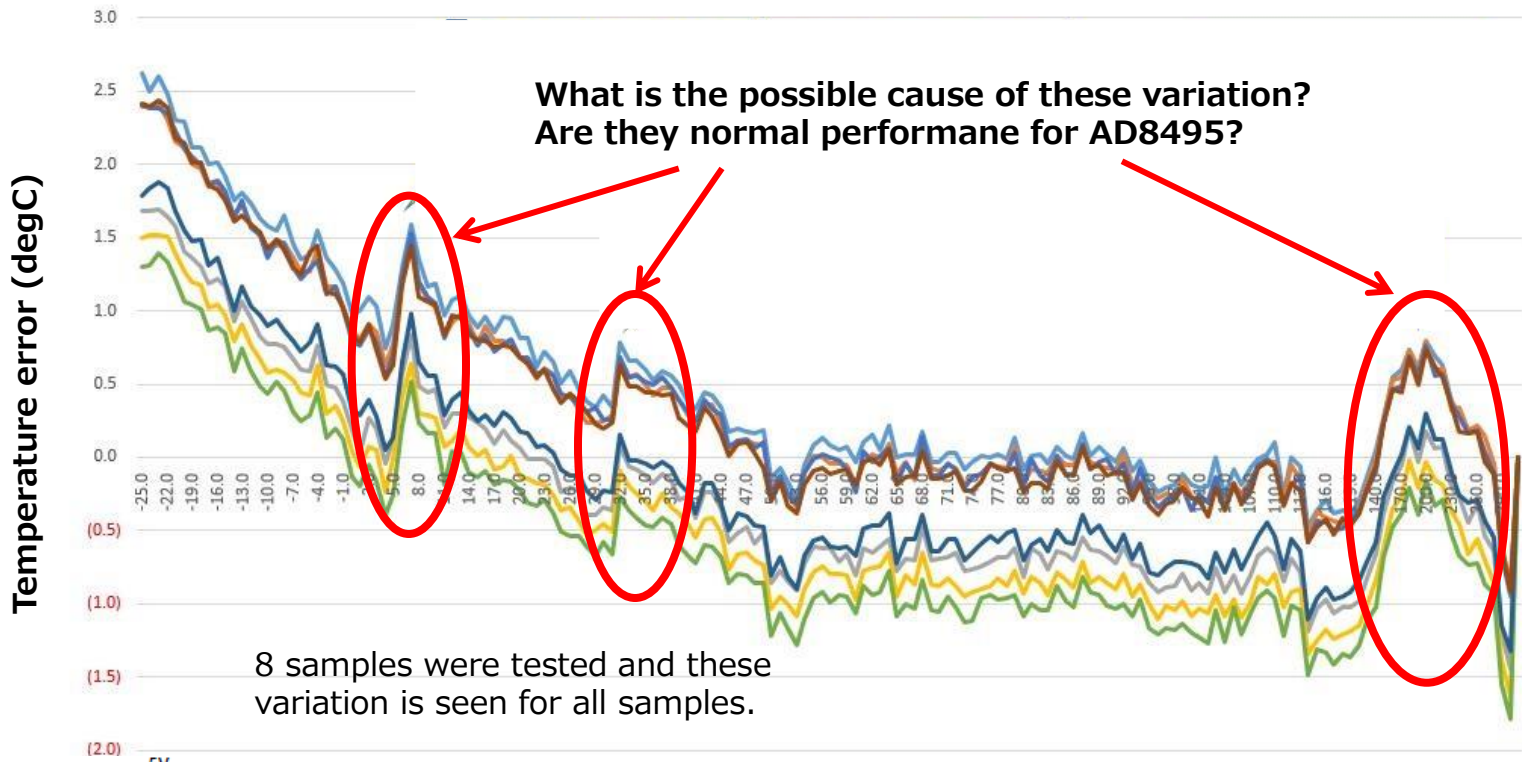
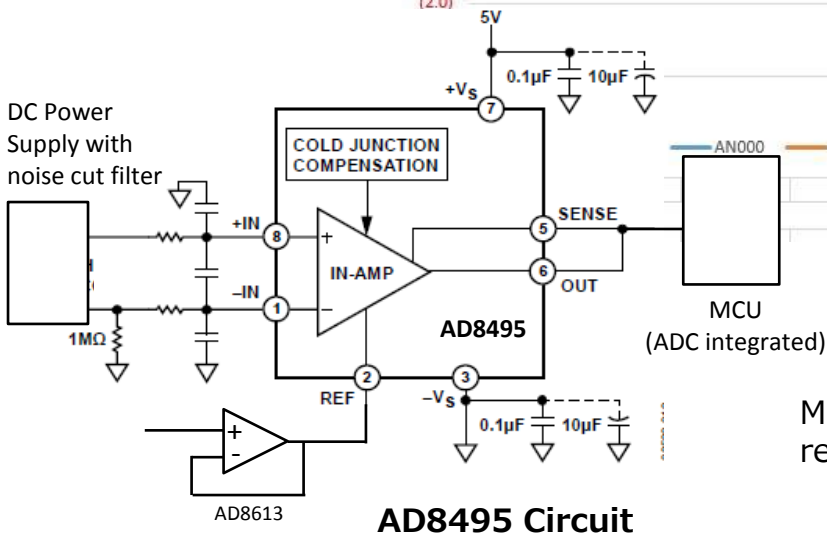


Error between the actual temperature and the measurement temperature



8 samples were tested and these variation is seen for all samples.



Actual Temperature (deg/C)

図1. 理想温度と測定温度の誤差

Measurement temp data are AD converted after averaged the results that sampled 60 times.