

6

5

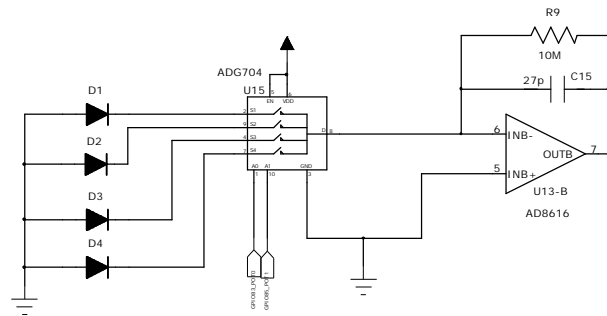
4

3

2

1

REVISION RECORD			
LTR	ECO NO:	APPROVED:	DATE:



D

D

C

C

B

B

A

A

COMPANY:			
TITLE:			
CHECKED:	DATED:	CODE:	SIZE: B
QUALITY CONTROL:	DATED:	DRAWING NO:	
RELEASED:	DATED:	REV:	
SCALE:			SHEET: 1 of 1

DRAWN:	DATED:
CHECKED:	DATED:
QUALITY CONTROL:	DATED:
RELEASED:	DATED: