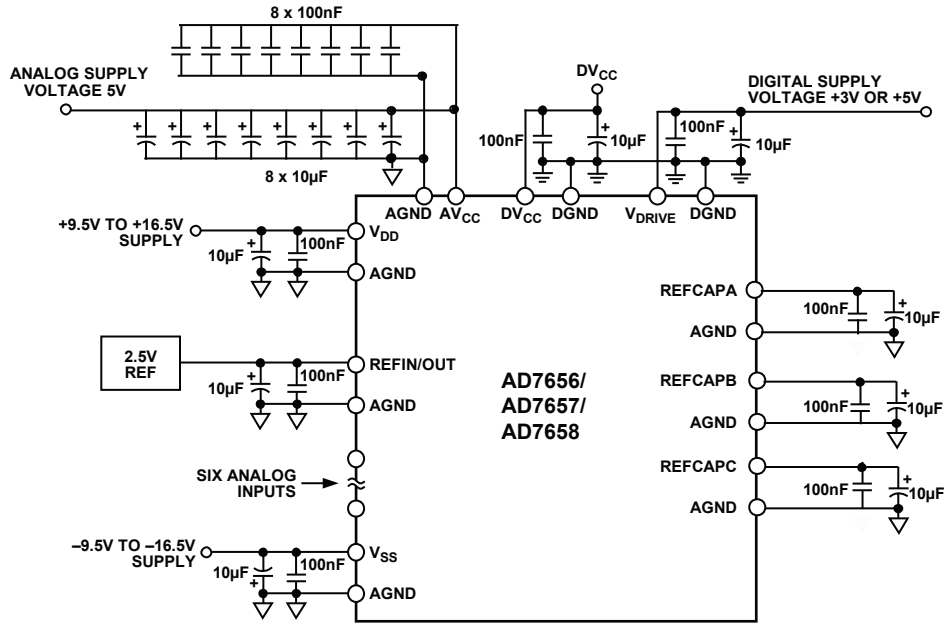


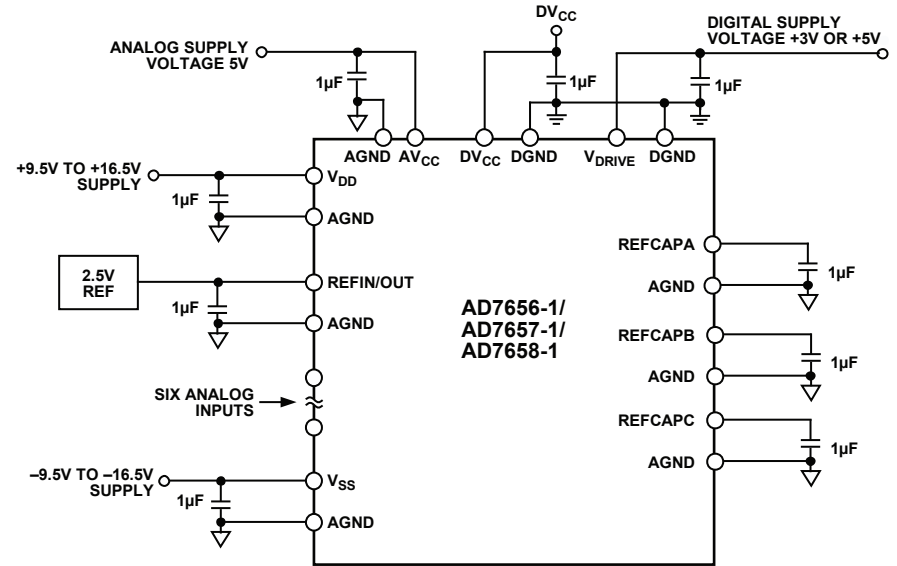
DECOUPLING CONFIGURATION

AD7656-1/AD7657-1/AD7658-1 VERSUS AD7656/AD7657/AD7658



AD7656/AD7657/AD7658
Total Number of Decoupling Capacitors

Cap Value	Profile	Farnell Code	Total No.	Cost ¹ USD\$
10µF	TAJ/B	197-427	16	0.45
100nF	0603	499-675	8	0.12
100nF	0612	335-1816	8	0.64
Total			32	13.28



AD7656-1/AD7657-1/AD7658-1
Total Number of Decoupling Capacitors

Cap Value	Profile	Farnell Code	Total No.	Cost ¹ USD\$
1µF	0805	3352067	9	0.39
Total			9	3.24

¹ Cost is per volume of 100 from Farnell Website 23rd July 2008.