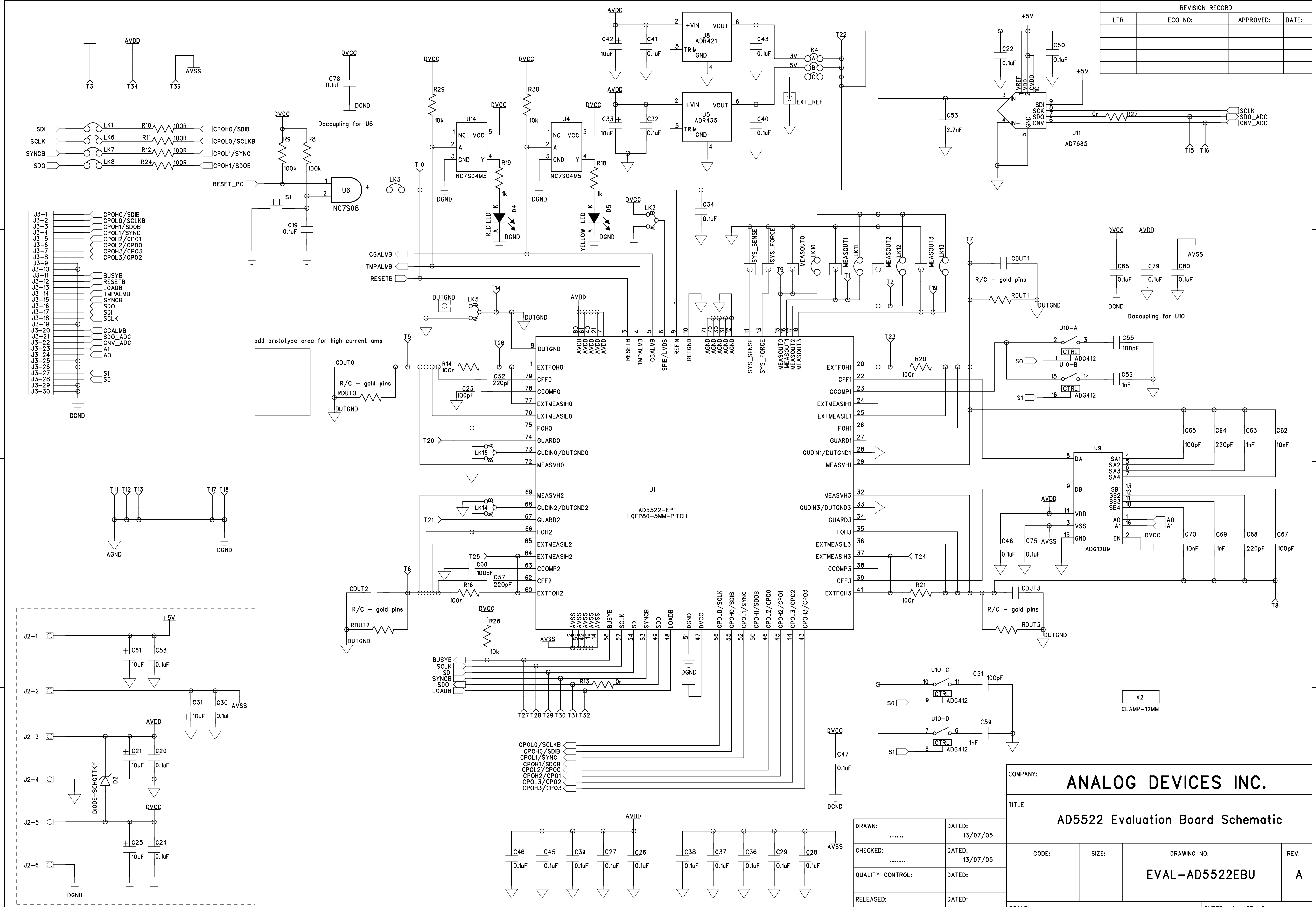


REVISION RECORD			
LTR	ECO NO:	APPROVED:	DATE:



COMPANY: ANALOG DEVICES INC.			
TITLE: AD5522 Evaluation Board Schematic			
CODE:	SIZE:	DRAWING NO:	REV:
		EVAL-AD5522EBU	A
SCALE:	SHEET: 1 OF 2		

DRAWN:	DATED:
	13/07/05
CHECKED:	DATED:
	13/07/05
QUALITY CONTROL:	DATED:
RELEASED:	DATED:

6

5

4

3

2

1

REVISION RECORD			
LTR	ECO NO:	APPROVED:	DATE:

D

D

C

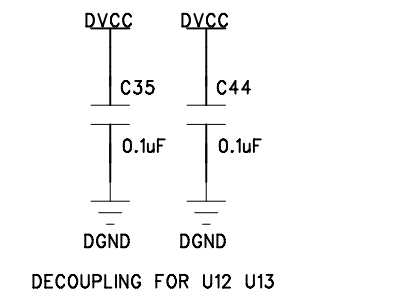
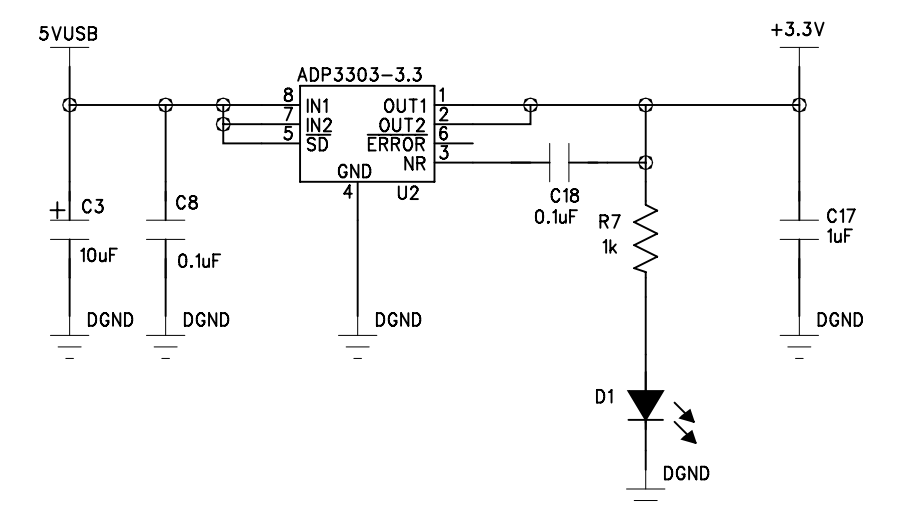
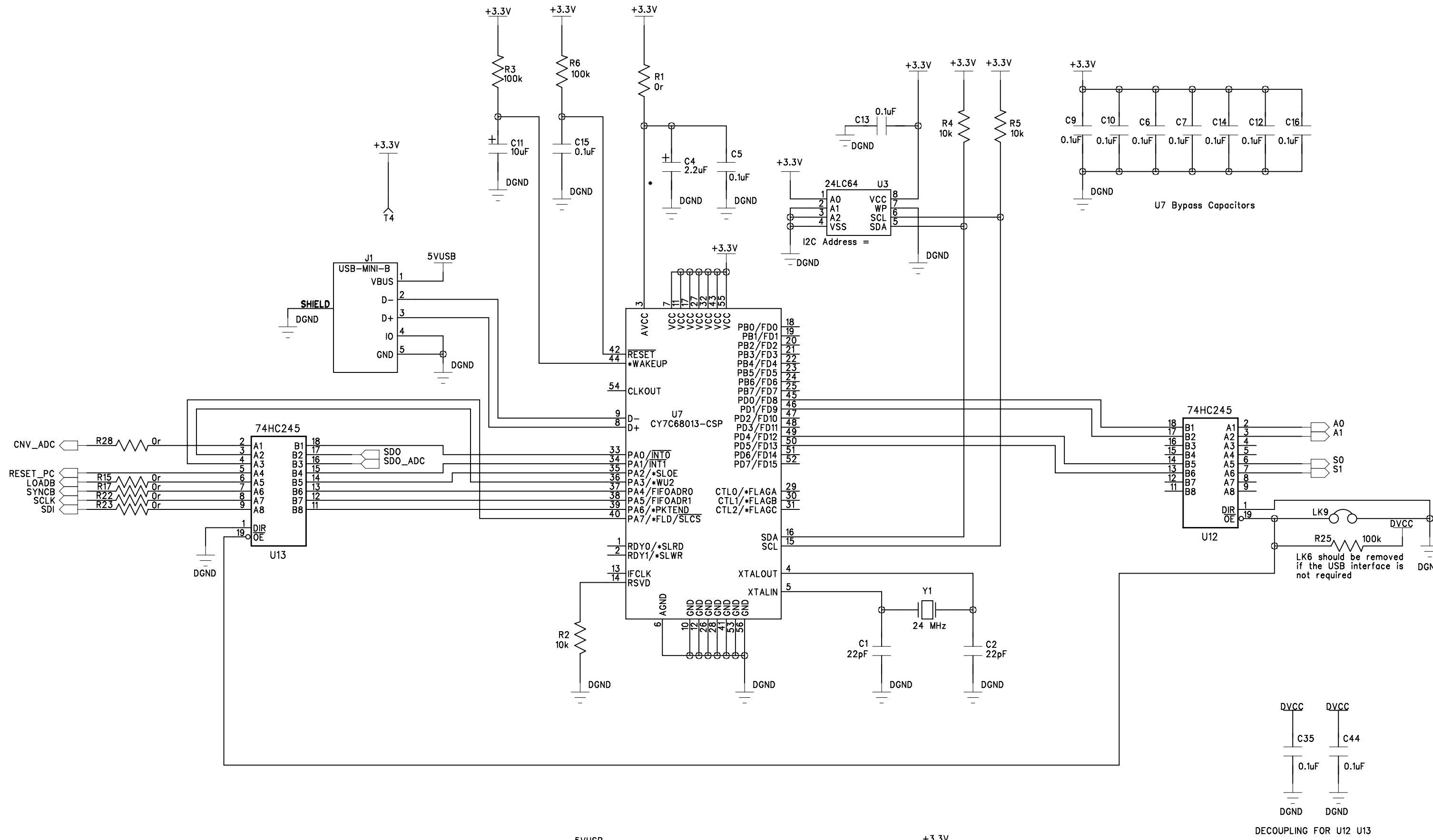
C

B

B

A

A



COMPANY: ANALOG DEVICES INC.			
TITLE: AD5522 Evaluation Board Schematic			
DRAWN: C Redmond	DATED: March 06	CODE:	REV: A
CHECKED:	DATED:	SIZE:	DRAWING NO:
QUALITY CONTROL:	DATED:	EVAL-AD5522EBU	
RELEASED:	DATED:	SCALE:	SHEET: 2 OF 2