

# E Series

The **E Series** of LVDTs is economical, satisfying many applications in which LVDT performance and reliability are desired, but where budgets are limited. Linearity is 0.5% of full-range for all units except the E2000. The E series is particularly suitable for moderate operating temperatures. Its rugged construction will resist the shock and vibration of most industrial applications. The E series is housed in magnetic stainless steel for protection against electromagnetic and electrostatic interference.

## FEATURES

- Customary LVDT Performance at Minimal Cost
- Magnetically Shielded Case
- Compatible with all Schaevitz® LVDT Signal Conditioners

## APPLICATIONS

- Moderate Operating Temperatures

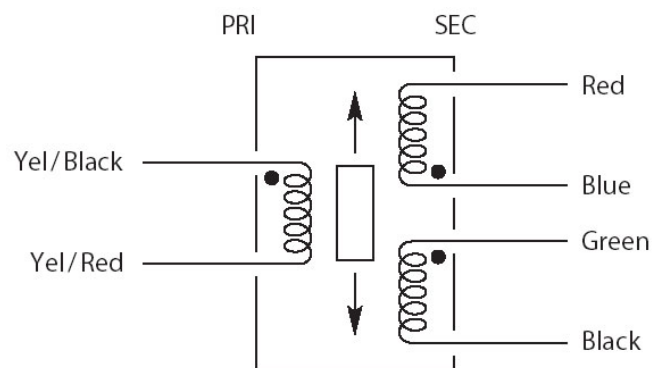
## OPTIONS

- Metric Thread Core

*\*Performance and electrical specifications for alternative frequencies will differ from the standard specifications listed below which are based on a 2.5 kHz excitation frequency. Consult factory for further information.*

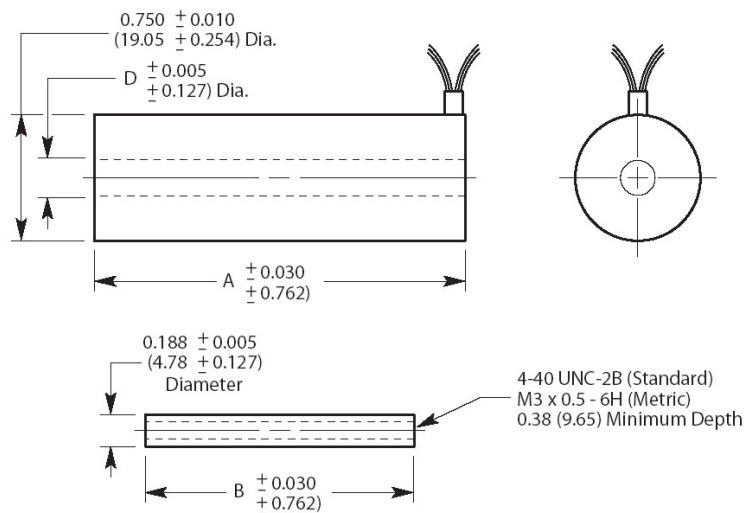


## wiring



Connect Green to Blue for differential output

## dimensions



## Specifications

<b>Input Voltage</b>	3 Volts rms (nominal)
<b>Frequency Range</b>	50 Hz to 10 kHz
<b>Operating Temperature Range</b>	-65F to 200F (-55C to 95C)
<b>Null Voltage</b>	<1.0% full scale output
<b>Shock Survival</b>	500 g for 11 mSec
<b>Vibration</b>	20 g up to 2 kHz
<b>Coil Form Material</b>	High Density, Glass-Filled Polymer
<b>Housing Material</b>	AISI 400 Series Stainless Steel
<b>Lead Wires</b>	28 AWG, stranded copper, Teflon-insulated, 12 inches (300mm) long (nominal)

## Performance and electrical specifications @ 2.5 kHz<sup>1</sup>

E-Series Model Number	Nominal Linear Range		Linearity	Sensitivity		Impedance (Ohms)		Phase Shift
	Inches	mm	±% Full Range	0.001 in	Mm	Pri	Sec	Degrees
E-100	±0.100	±2.54	0.5	2.4	96	660	960	-3
E-200	±0.125	±3.17	0.5	1.57	63	970	1010	-5
E-300	±0.250	±6.35	0.5	1.2	48	960	1005	-8.5
E-500	±0.500	±12.70	0.5	0.68	29	408	162	+6
E-1000	±1.000	±25.40	0.5	0.76	30	525	690	+3.7
E-2000	±2.000	±50.80	1.0	0.46	18	535	875	0

<sup>1</sup>All calibration is performed at room ambient temperature.

## Mechanical Specifications

HCA Series Model Number	Weight				Dimensions					
	Body		Core		A (Body)		B (Core)		D	
	Oz	Gm	Oz	Gm	In	Mm	In	Mm	In	Mm
E-100	1.09	31	0.21	3.4	1.75	44.5	1.25	31.8	0.236	6.00
E-200	1.27	36	0.13	3.8	2.25	57.2	1.48	37.6	0.236	6.00
E-300	1.59	45	0.15	4.8	2.77	70.4	1.63	41.4	0.236	6.00
E-500	1.98	56	0.30	8.4	4.56	115.8	3.00	76.2	0.210	5.33
E-1000	2.44	69	0.39	11	7.00	177.8	3.80	96.5	0.210	5.33
E-2000	4.49	127	0.60	17	10.50	266.7	6.20	157.5	0.210	5.33

The information in this sheet has been carefully reviewed and is believed to be accurate; however, no responsibility is assumed for inaccuracies. Furthermore, this information does not convey to the purchaser of such devices any license under the patent rights to the manufacturer. Measurement Specialties, Inc. reserves the right to make changes without further notice to any product herein. Measurement Specialties, Inc. makes no warranty, representation or guarantee regarding the suitability of its product for any particular purpose, nor does Measurement Specialties, Inc. assume any liability arising out of the application or use of any product or circuit and specifically disclaims any and all liability, including without limitation consequential or incidental damages. Typical parameters can and do vary in different applications. All operating parameters must be validated for each customer application by customer's technical experts. Measurement Specialties, Inc. does not convey any license under its patent rights nor the rights of others.

### ordering information

Specify the E Model followed by the desired option number(s) ordered together.

#### Ordering Example:

Model Number E 100-006 is an E Series LVDT with a +/- 0.10" range and a metric thread core (006)

### E model

E 100  
E 200  
E 300  
E 400  
E 500  
E 1000  
E 2000

### options

Number	Description
006	Metric Thread Core