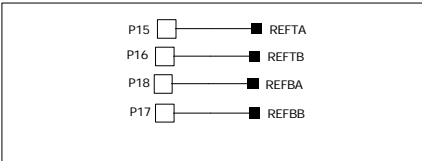
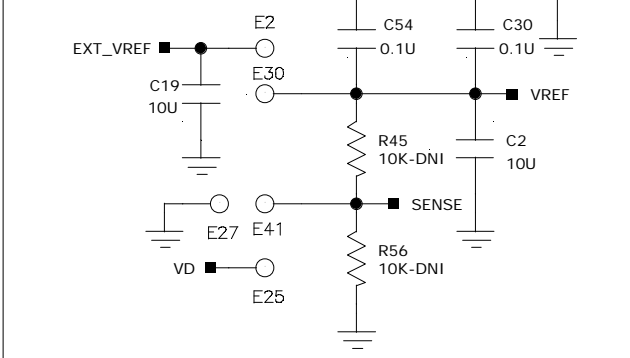


\*PADS TO SHORT REFERENCES TOGETHER



VREF AND SENSE CIRCUIT



SHARED REFERENCE CONFIG

MODE ->	SHARED	UNSHARED
E5 - E6	SHUNT	OPEN
P15 (REFTA) - P16 (REFTB)	SHORT	OPEN
P17 (REFBA) - P18 (REFBB)	SHORT	OPEN

INPUT SPAN CONFIG

(DEFAULT) E41 - E27	INT 1V REF (2V SPAN)
E41 - E30	INT 0.5V REF (1V SPAN)*
E41 - E25 & E2 - E30	2X EXT REF*
NO JUMPERS & R45, R56 INSTALLED	PROGRAMMABLE * 2X INT VREF

\* AD9216 SUPPORTS INT/EXT 2V SPAN ONLY

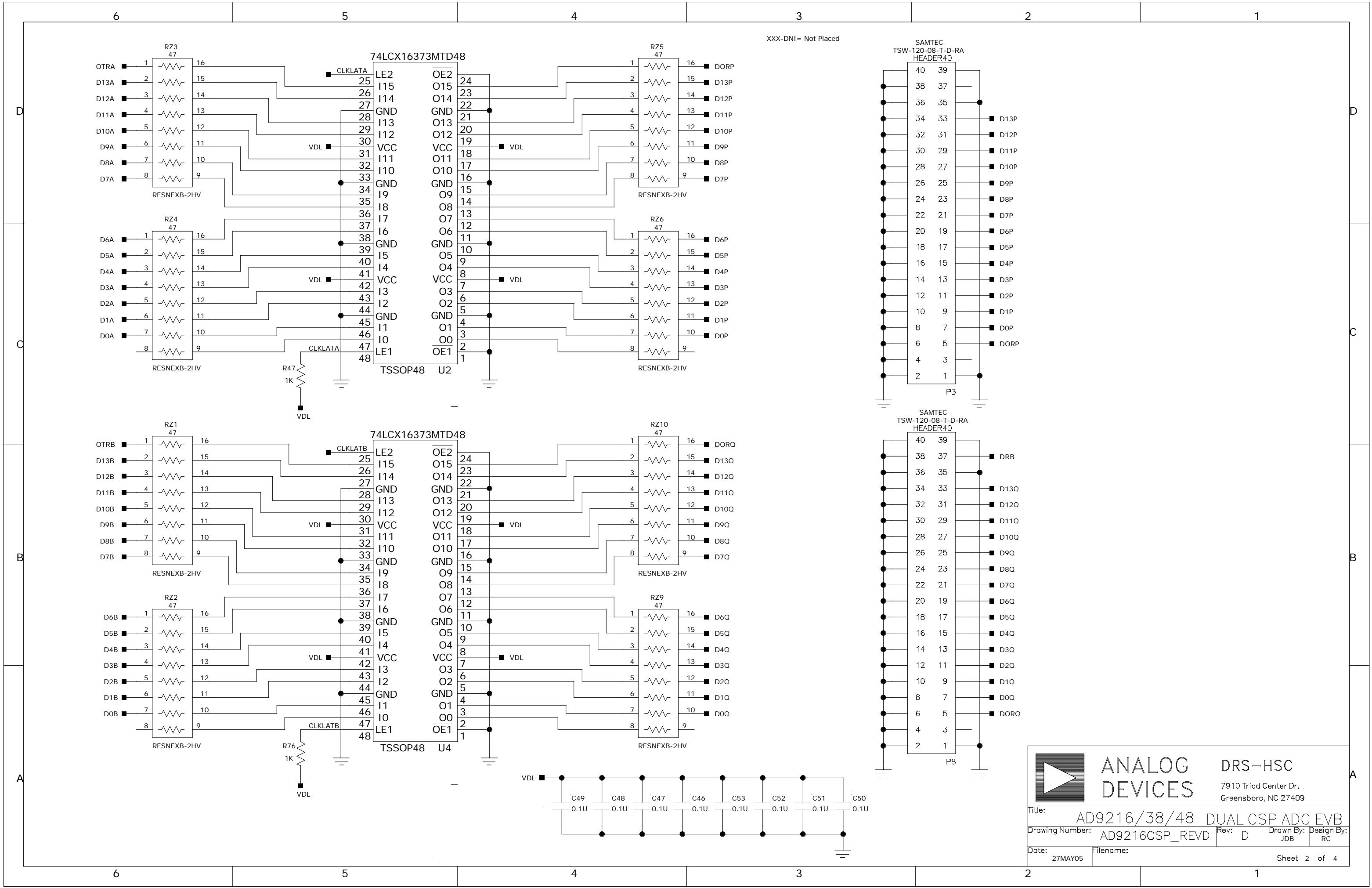
**ANALOG DEVICES**

DRS-HSC

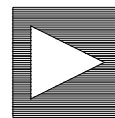
7910 Triad Center Dr.  
Greensboro, NC 27409

Title: **AD9248/38/16 DUAL CSP ADC EVB**

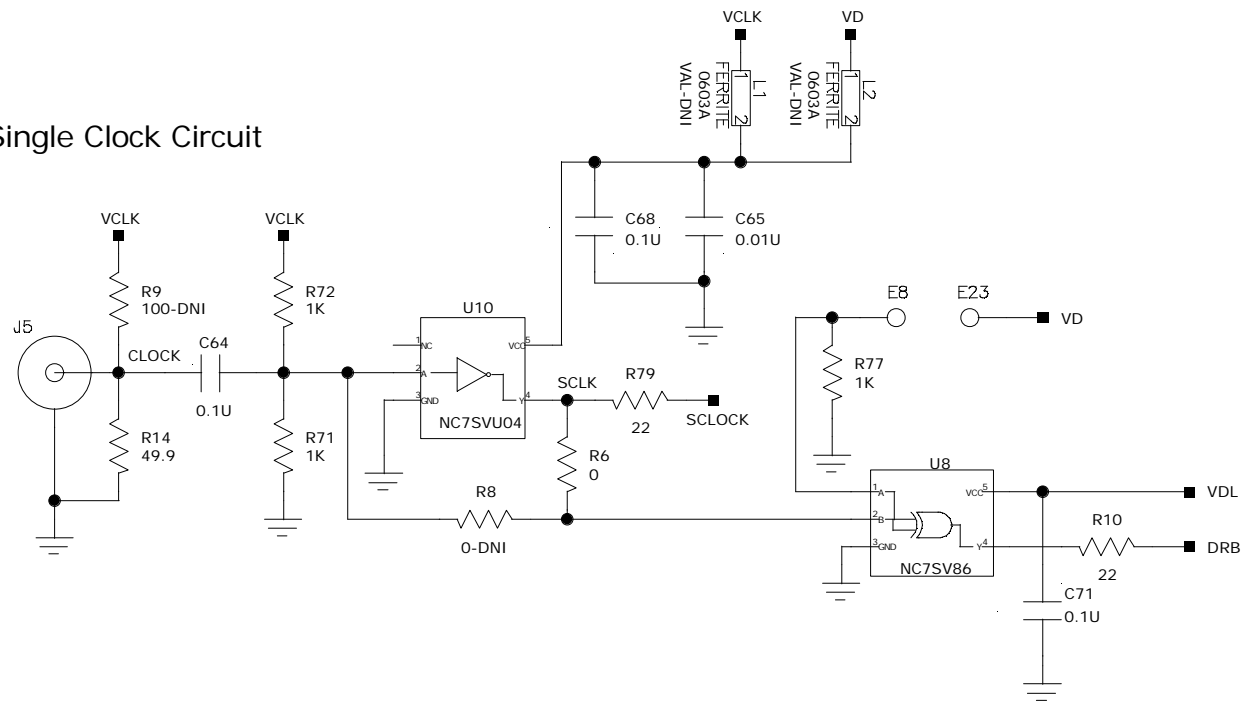
Drawing Number: AD9248CSP_REVD	Rev: D	Drawn By: JDB	Design By: RC
Date: 27MAY05	Filename:	Sheet 1 of 4	



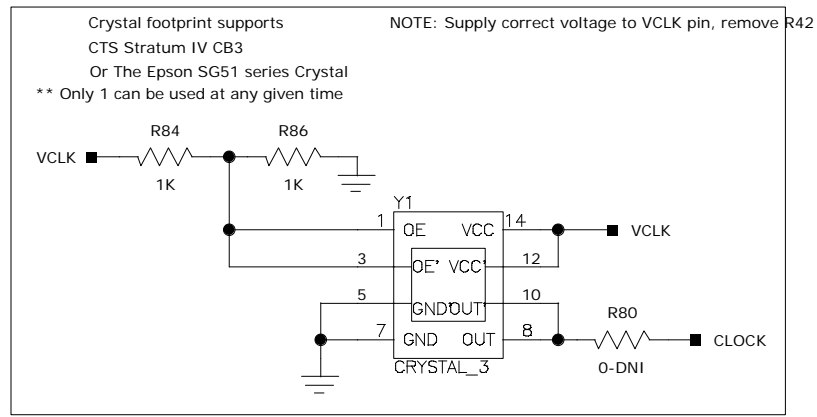
XXX-DNI = Not Placed

	<b>ANALOG DEVICES</b>		<b>DRS-HSC</b>	
	7910 Triad Center Dr. Greensboro, NC 27409			
Title: <b>AD9216/38/48 DUAL CSP ADC EVB</b>				
Drawing Number: <b>AD9216CSP_REVD</b>		Rev: <b>D</b>	Drawn By: <b>JDB</b>	Design By: <b>RC</b>
Date: <b>27MAY05</b>	Filename:		Sheet 2 of 4	

### Single Clock Circuit

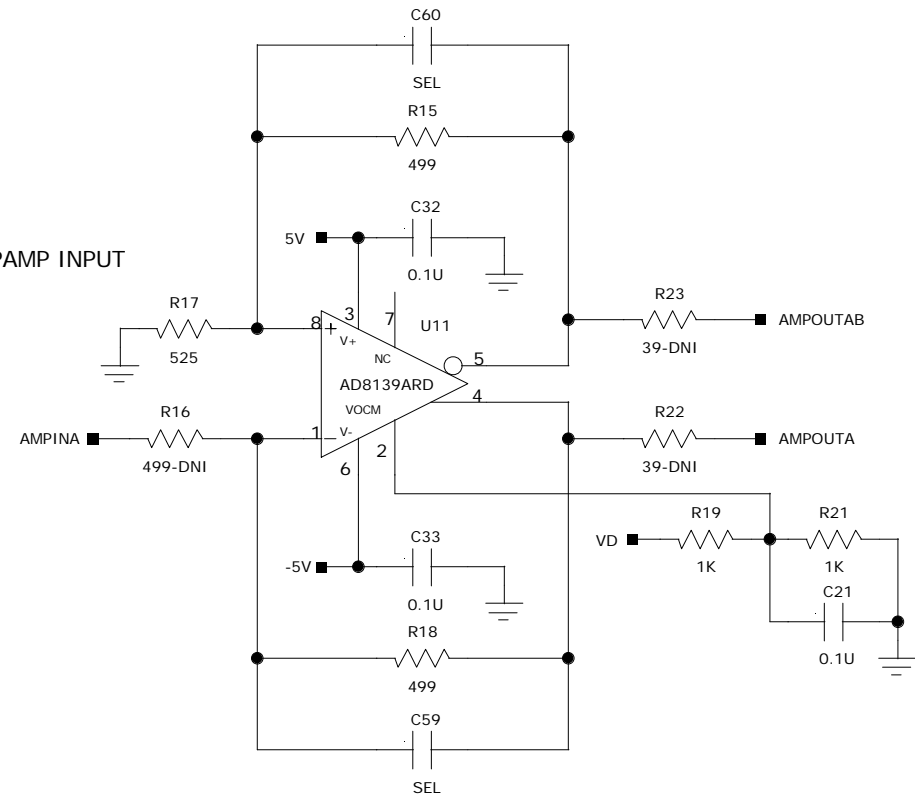


### Optional Crystal Oscillators

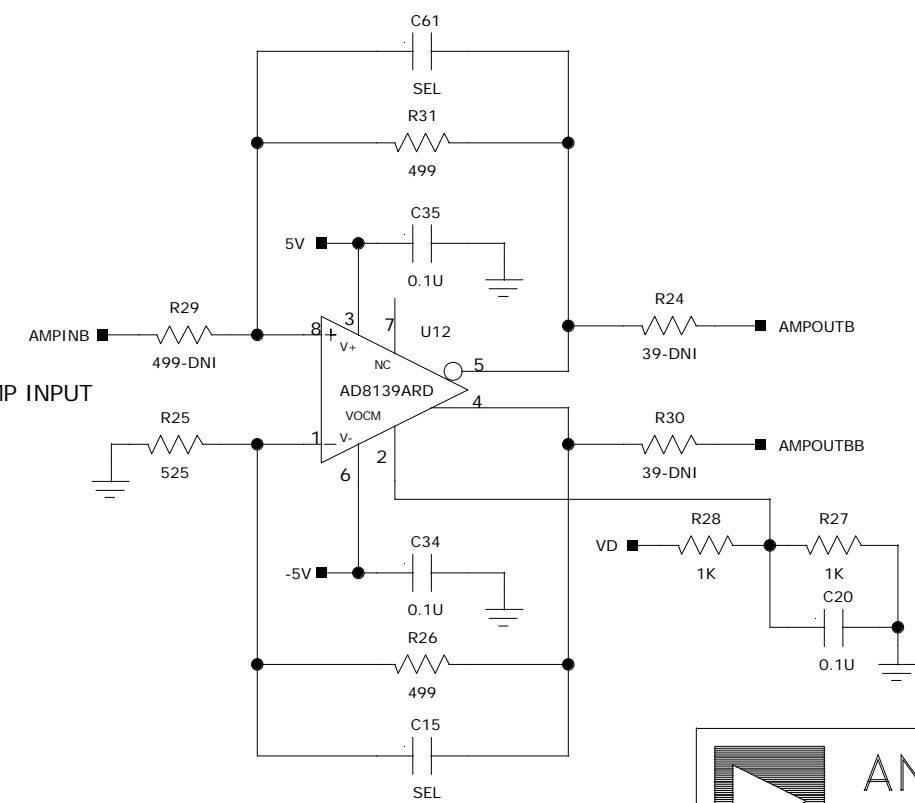


XXX-DNI = Not Placed  
VAL = User Determine

### OPAMP INPUT

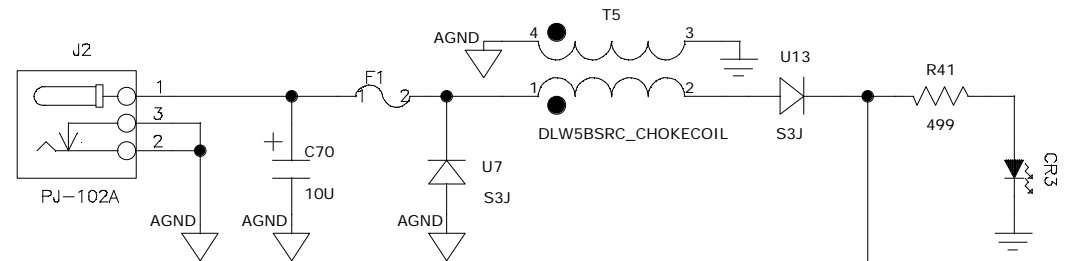
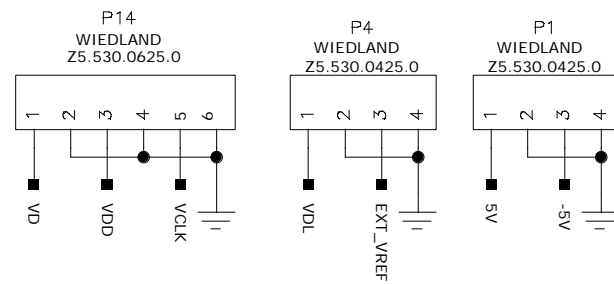


### OPAMP INPUT

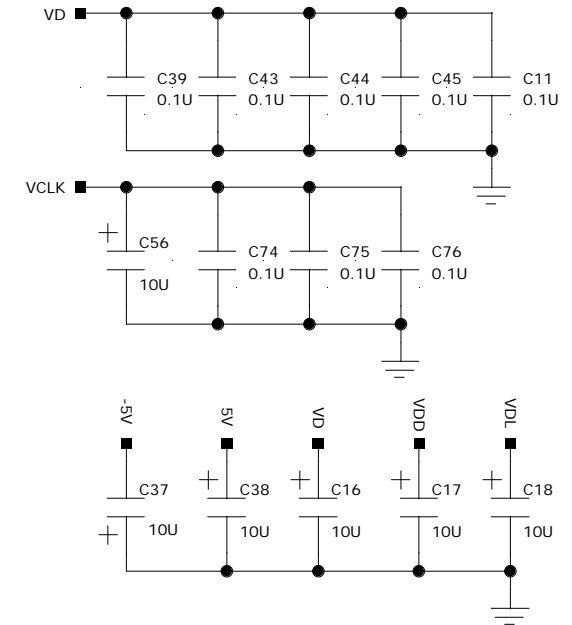
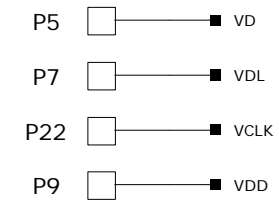


	<b>ANALOG DEVICES</b>		<b>DRS-HSC</b>	
	7910 Triad Center Dr. Greensboro, NC 27409			
Title: <b>AD9216/38/48 DUAL CSP ADC EVB</b>				
Drawing Number: <b>AD9216CSP_REVD</b>		Rev: <b>D</b>	Drawn By: <b>JDB</b>	Design By: <b>RC</b>
Date: <b>27MAY05</b>	Filename:		Sheet 3 of 4	

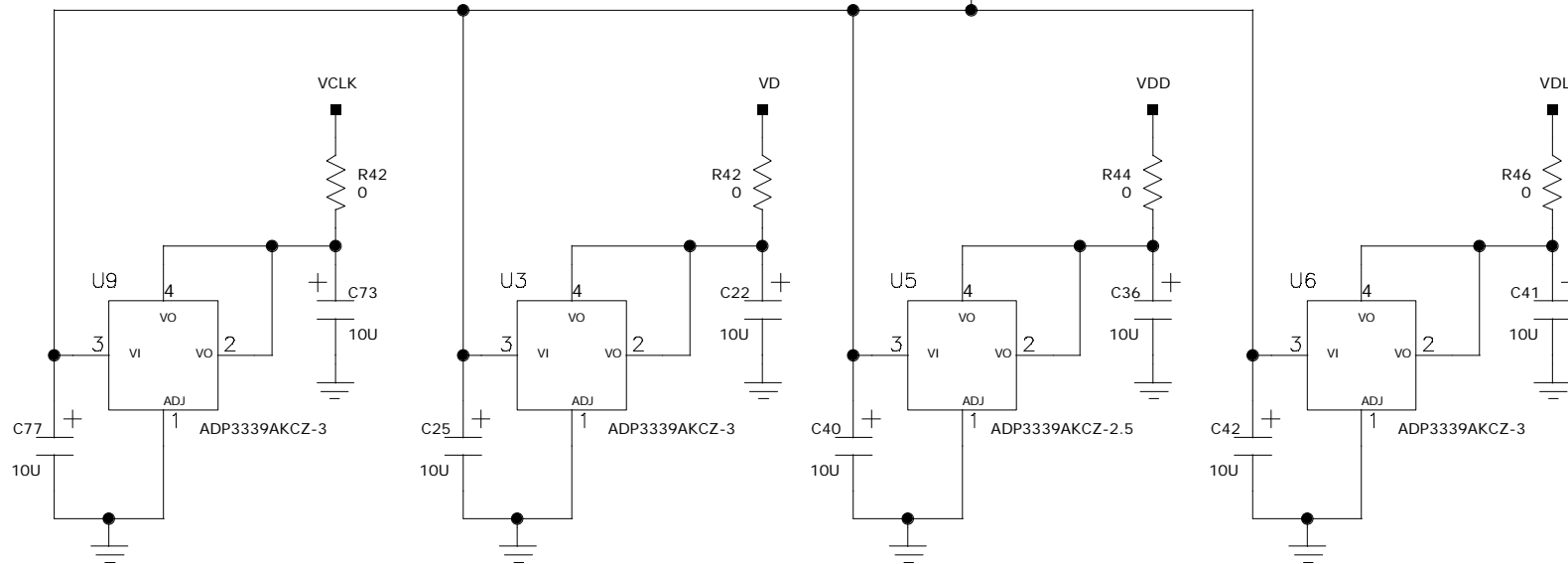
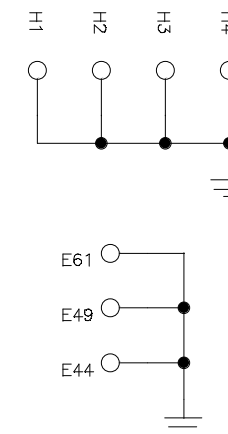
### Power Connection



### Power Supply Bridges



### Ground



\*Do not populate R43, R42, R44, R46, If using P1, P4, P14

	<b>ANALOG DEVICES</b>	<b>DRS-HSC</b>
	7910 Triad Center Dr. Greensboro, NC 27409	
Title: AD9216/38/48 DUAL CSP ADC EVB		
Drawing Number: AD9216CSP_REVD	Rev: D	Drawn By: JDB Design By: RC
Date: 27MAY05	Filename:	Sheet 4 of 4