

AD6635 CUSTOMER EVALUATION BOARD

CONTENTS

Page 1: AD6635 (divided into three blocks)

Page 2: Input Port A, two cascaded buffers feeding AD6635 (ports A and D) and FPGA. Part of FPGA is shown.

Page 3: Input Port B, two cascaded buffers feeding AD6635 (ports B and C) and FPGA. Part of FPGA is shown.

Page 4: Altera Apex 20K FPGA. I/O banks 1, 3, 4 and 6 shown.

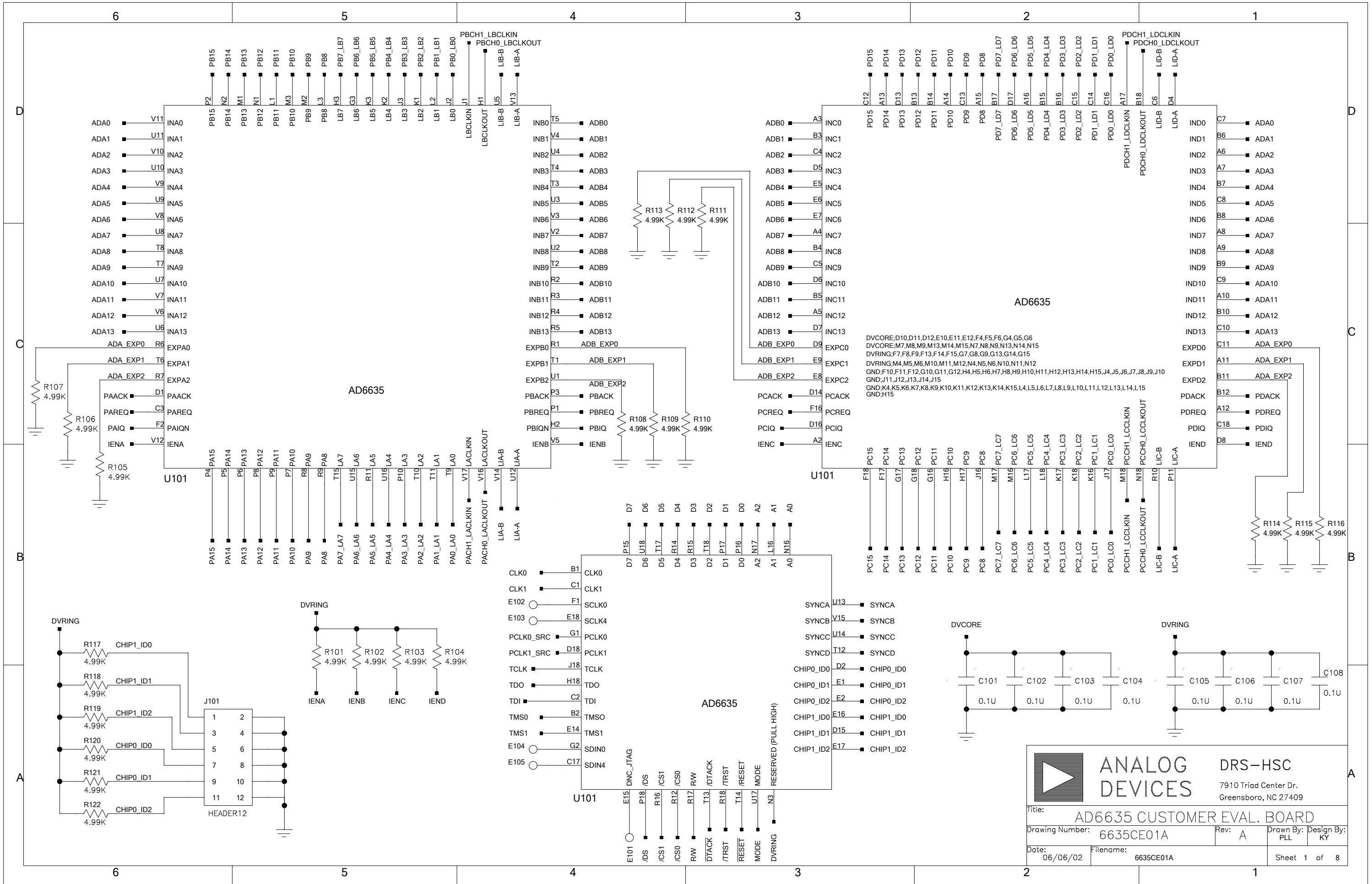
Page 5: Altera Apex 20K FPGA I/O banks 7 and 8. IDT72265 FIFO for storing captured data.

Page 6: Parallel Port headers for parallel ports A, B, C, D of AD6635. Parallel port clock delays also shown.

Page 7: Link Port headers for link ports A, B, C, D of AD6635.

Page 8: Voltage regulators for 5V, 3.3V, 2.5V and 1.8V. PC parallel port connector and parallel port transceiver 74LVX161284A

	ANALOG DEVICES	DRS-HSC 7910 Triad Center Dr. Greensboro, NC 27409
Title: AD6635 CUSTOMER EVAL. BOARD		
Drawing Number: 6635CE01A	Rev: A	Drawn By: PLL Design By: KY
Date: 06/06/02	Filename: 6635CE01A_TITLE	Sheet of

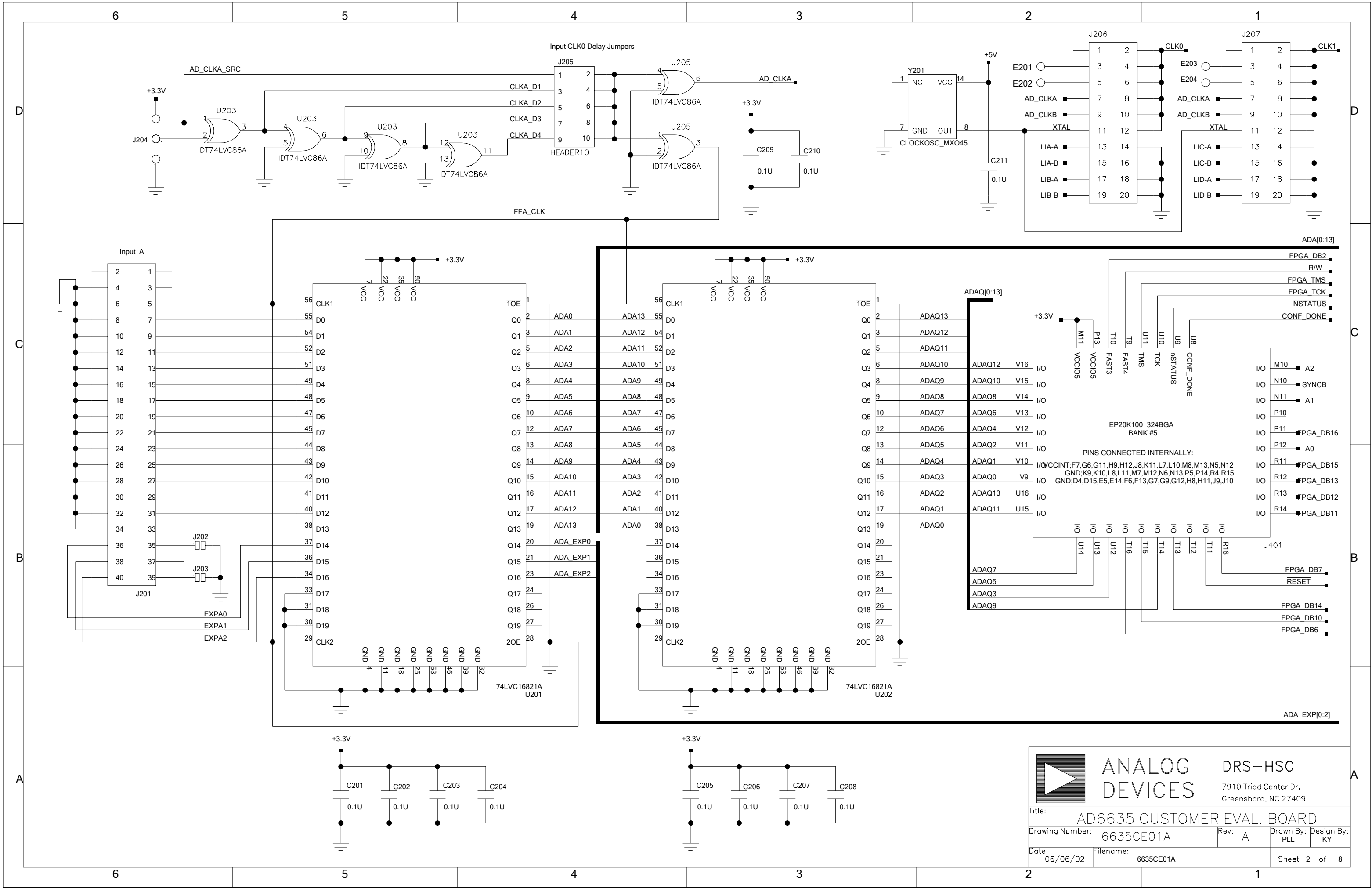


ANALOG DEVICES **DRS-HSC**
 7910 Triad Center Dr.
 Greensboro, NC 27409

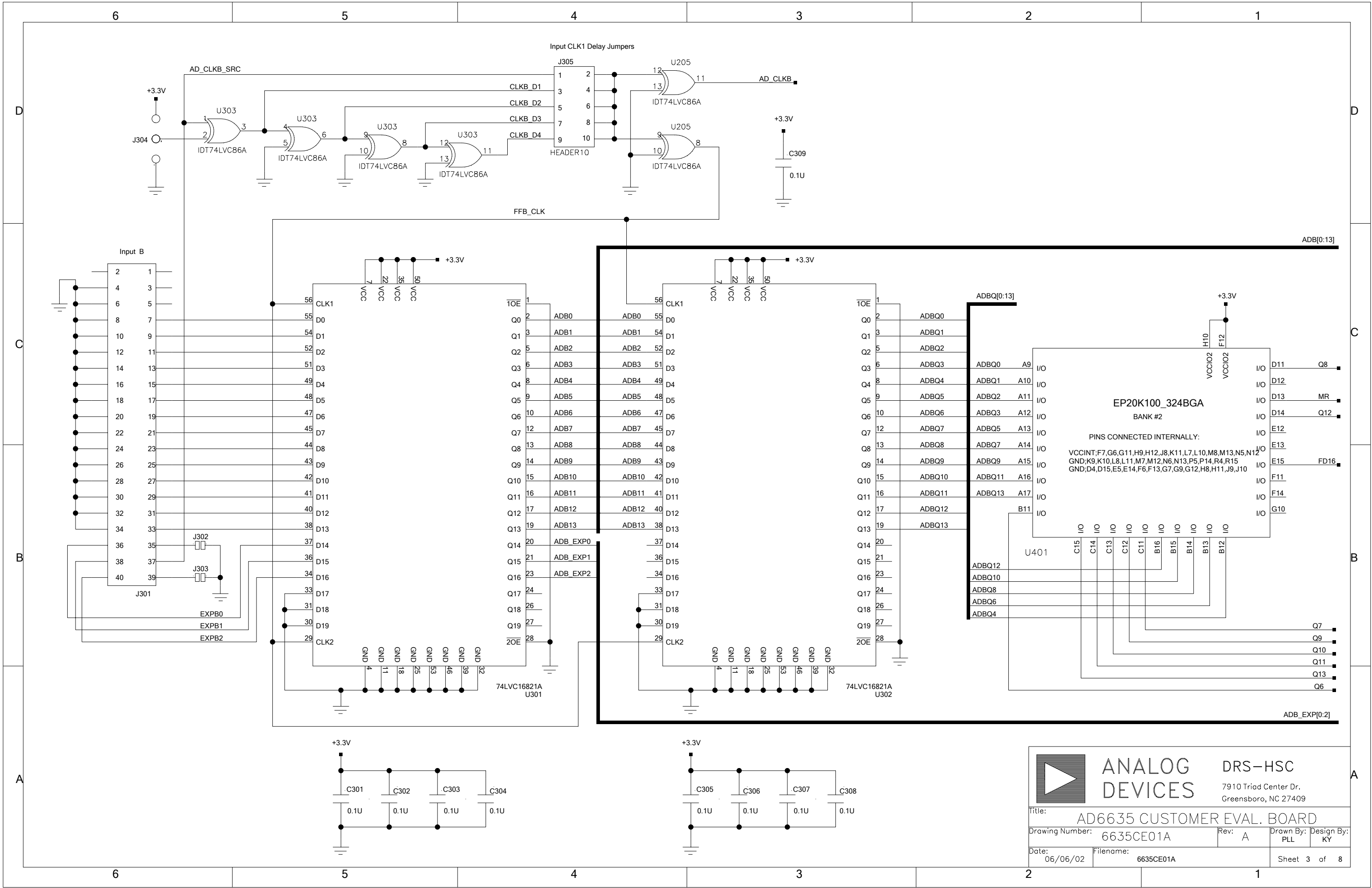
Title: **AD6635 CUSTOMER EVAL. BOARD**

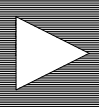
Drawing Number: 6635CE01A Rev: A Drawn By: Design By:
 PLL KY

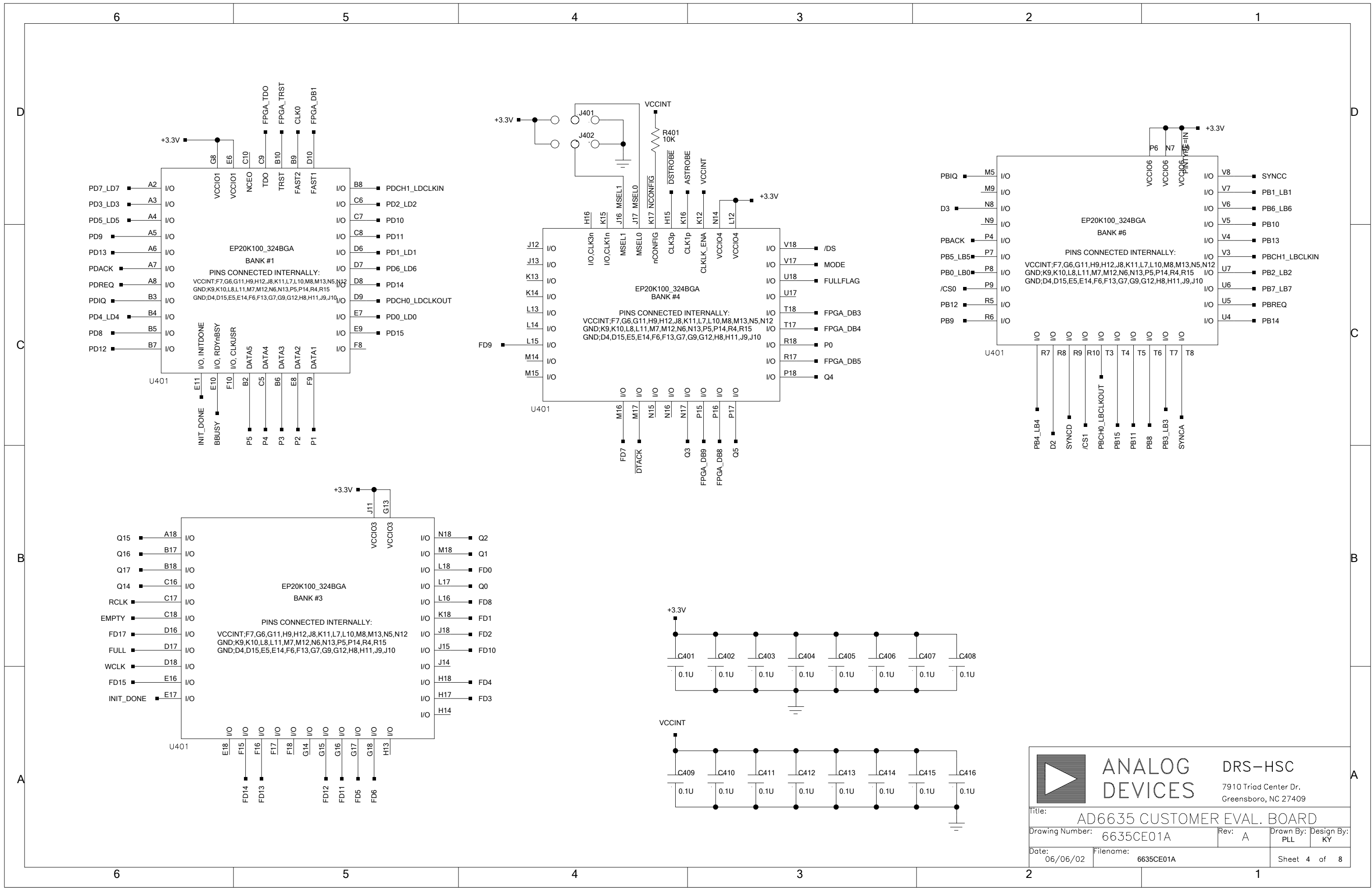
Date: 06/06/02 Filename: 6635CE01A Sheet 1 of 8

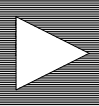


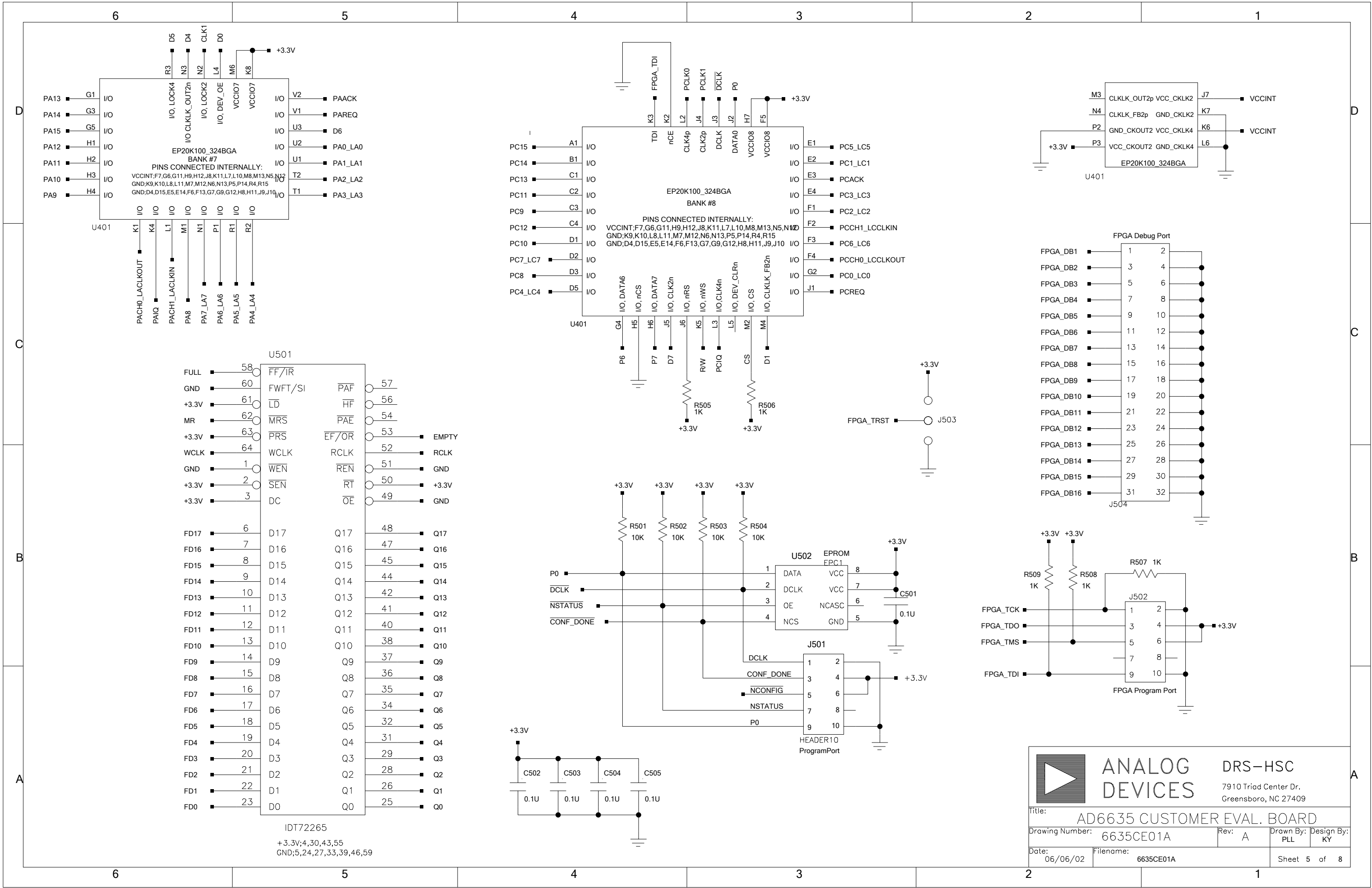
	ANALOG DEVICES	DRS-HSC
	7910 Triad Center Dr. Greensboro, NC 27409	
Title: AD6635 CUSTOMER EVAL. BOARD		
Drawing Number: 6635CE01A	Rev: A	Drawn By: PLL Design By: KY
Date: 06/06/02	Filename: 6635CE01A	Sheet 2 of 8



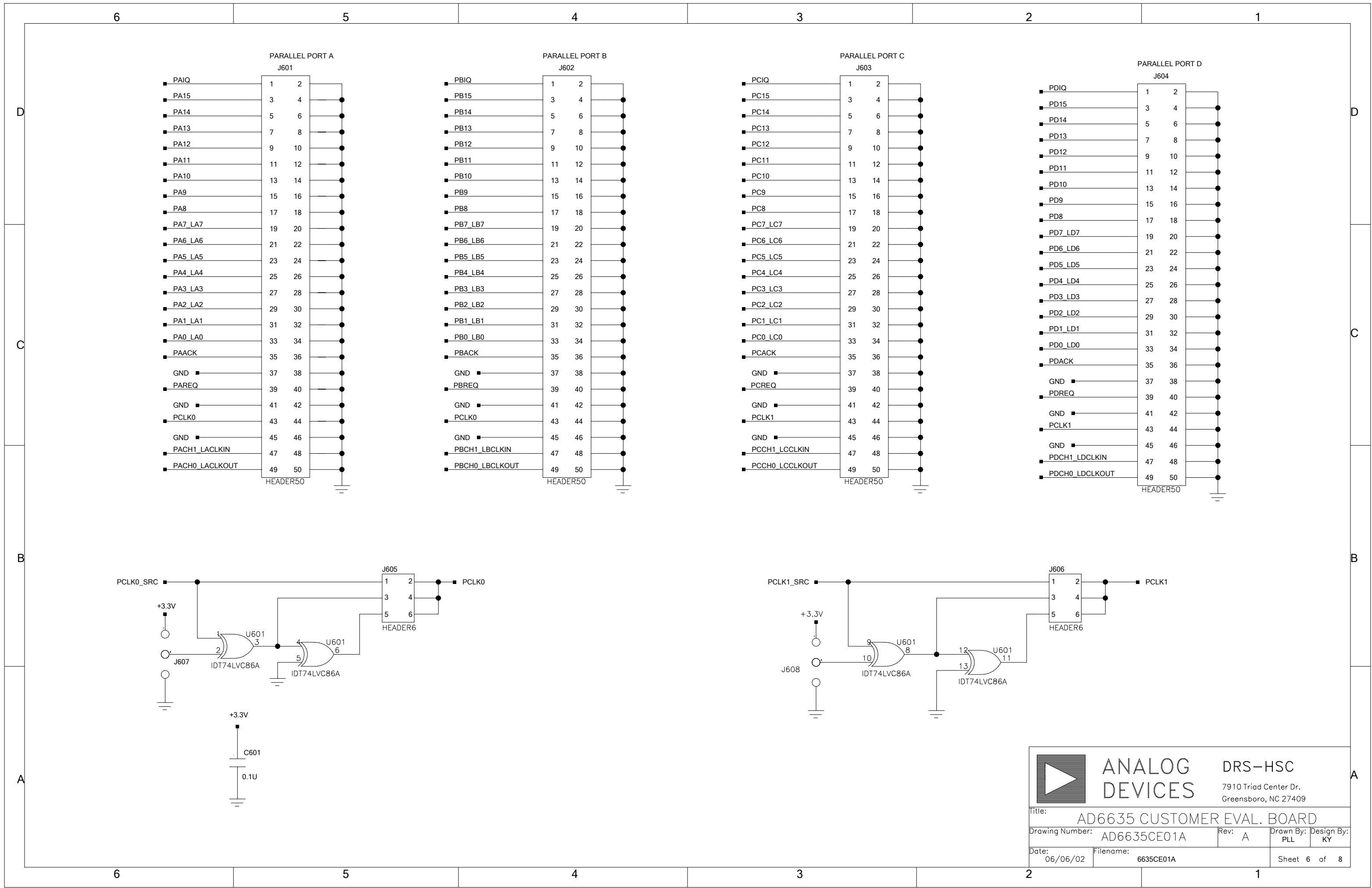
	ANALOG DEVICES	DRS-HSC
	7910 Triad Center Dr. Greensboro, NC 27409	
Title: AD6635 CUSTOMER EVAL. BOARD		
Drawing Number: 6635CE01A	Rev: A	Drwn By: PLL Design By: KY
Date: 06/06/02	Filename: 6635CE01A	Sheet 3 of 8



 ANALOG DEVICES		DRS-HSC 7910 Triad Center Dr. Greensboro, NC 27409	
Title: AD6635 CUSTOMER EVAL. BOARD			
Drawing Number: 6635CE01A		Rev: A	Drawn By: PLL
Date: 06/06/02	Filename: 6635CE01A		Design By: KY
			Sheet 4 of 8

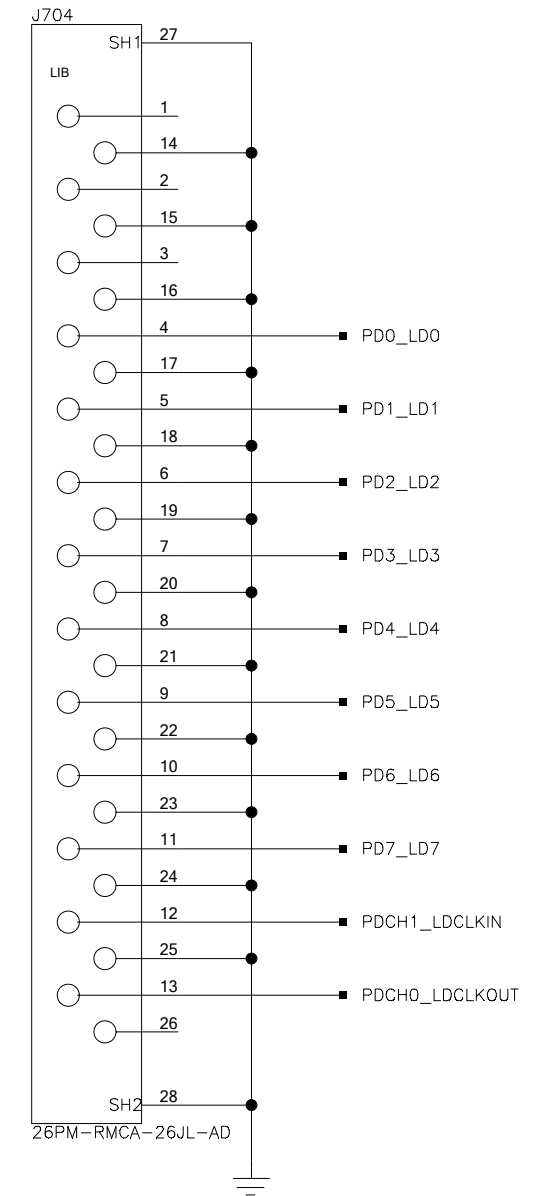
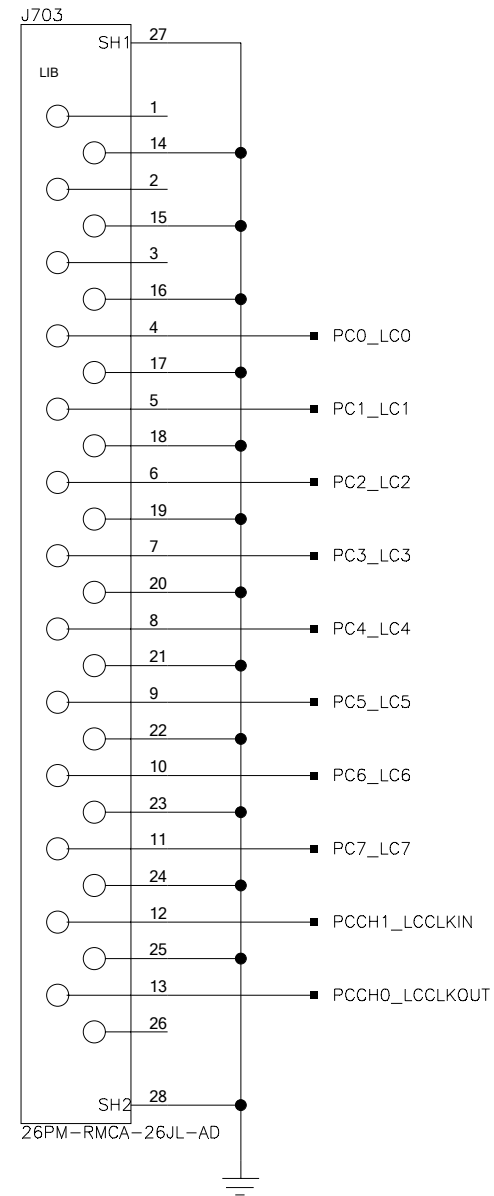
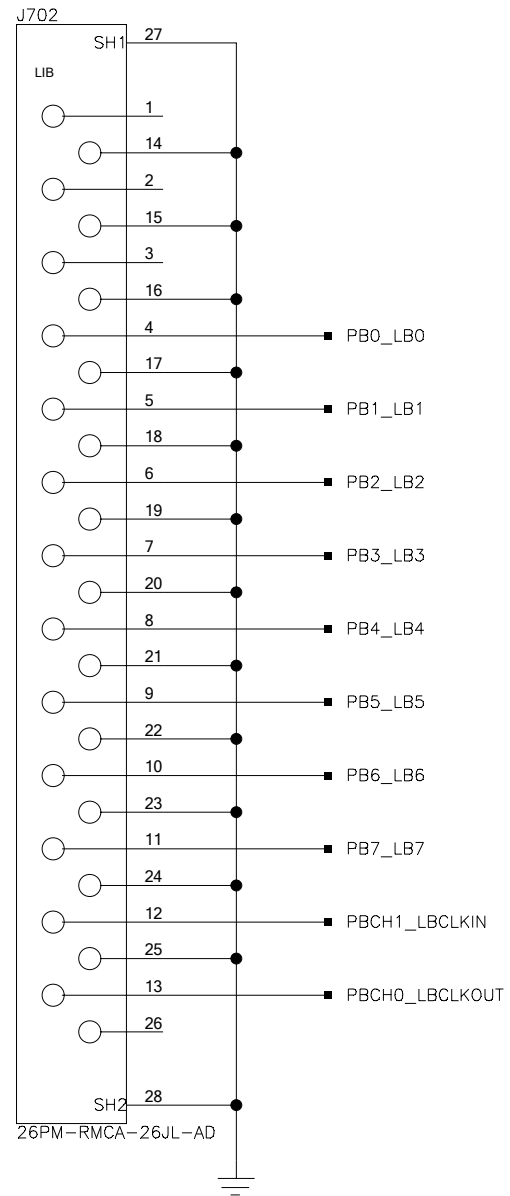
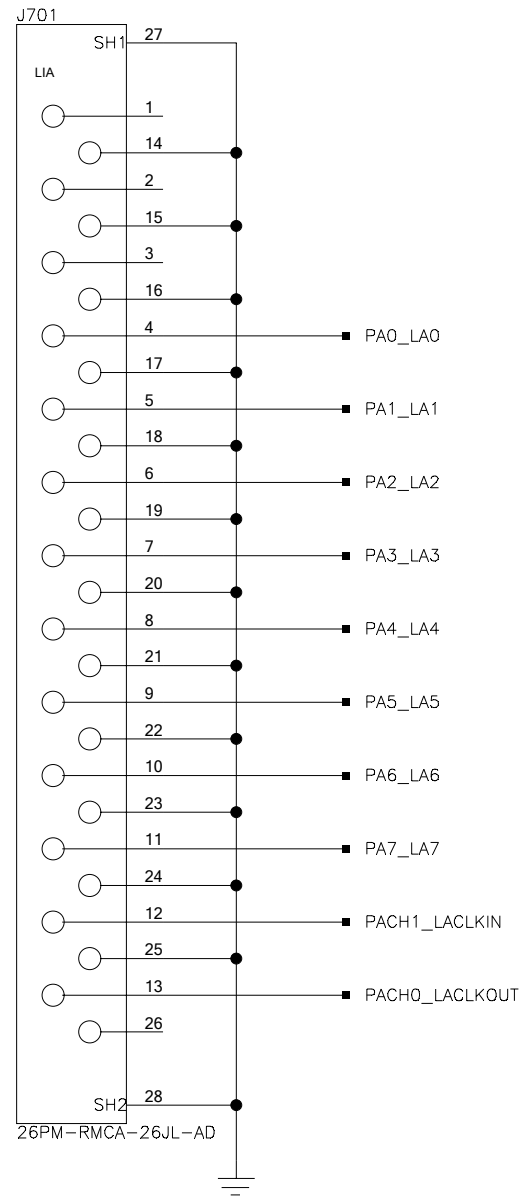


 ANALOG DEVICES	DRS-HSC 7910 Triad Center Dr. Greensboro, NC 27409	
	Title: AD6635 CUSTOMER EVAL. BOARD	
Drawing Number: 6635CE01A	Rev: A	Drawn By: PLL Design By: KY
Date: 06/06/02	Filename: 6635CE01A	Sheet 5 of 8

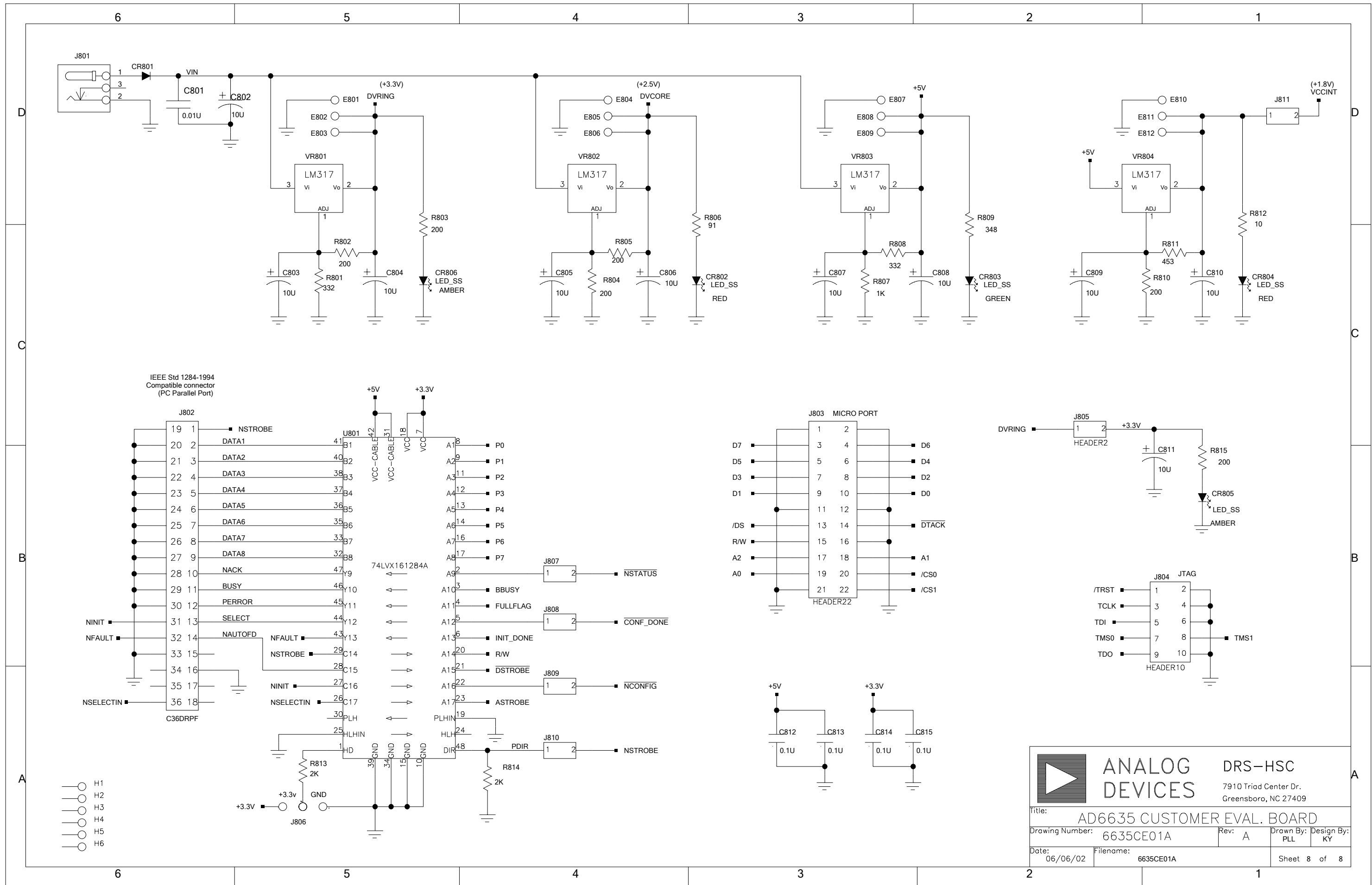


 ANALOG DEVICES	DRS-HSC 7910 Triad Center Dr. Greensboro, NC 27409	
	Title: AD6635 CUSTOMER EVAL. BOARD	
Drawing Number: AD6635CE01A	Rev: A	Drawn By: PLL Design By: KY
Date: 06/06/02	Filename: 6635CE01A	Sheet 6 of 8

Link Ports



	ANALOG DEVICES	DRS-HSC
		7910 Triad Center Dr. Greensboro, NC 27409
Title: 6635 CUSTOMER EVAL. BOARD		
Drawing Number: 6635CE01A	Rev: A	Drawn By: PLL Design By: KY
Date: 06/06/02	Filename: 6635CE01A	Sheet 7 of 8



ANALOG DEVICES DRS-HSC
7910 Triad Center Dr.
Greensboro, NC 27409

Title: AD6635 CUSTOMER EVAL. BOARD

Drawing Number: 6635CE01A	Rev: A	Drawn By: PLL	Design By: KY
Date: 06/06/02	Filename: 6635CE01A	Sheet 8 of 8	