

6

5

4

3

2

1

D

D

C

C

B

B

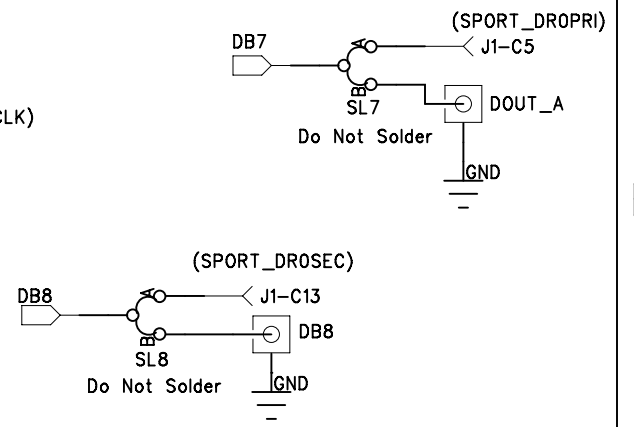
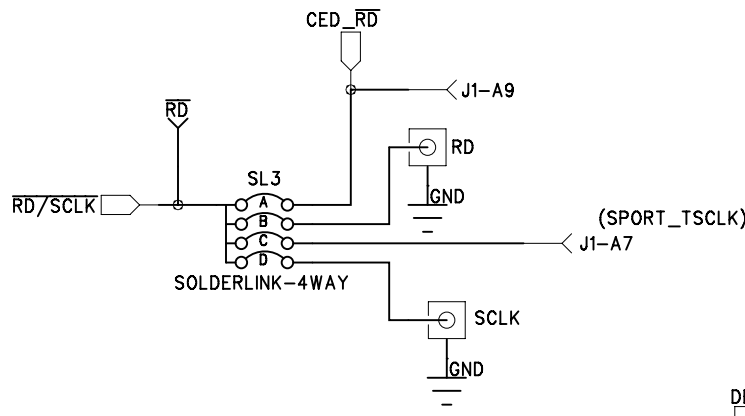
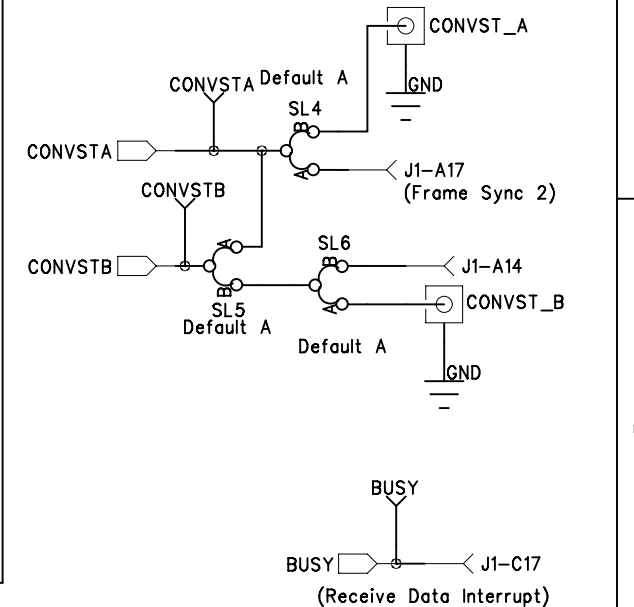
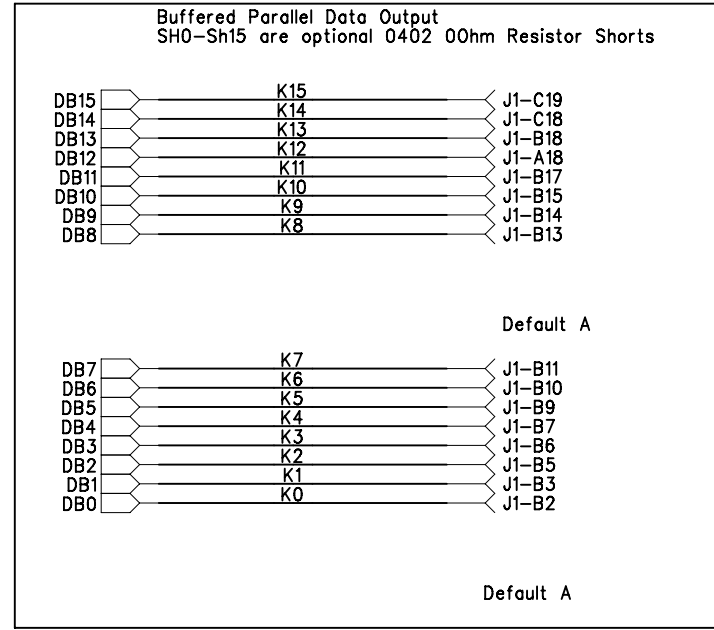
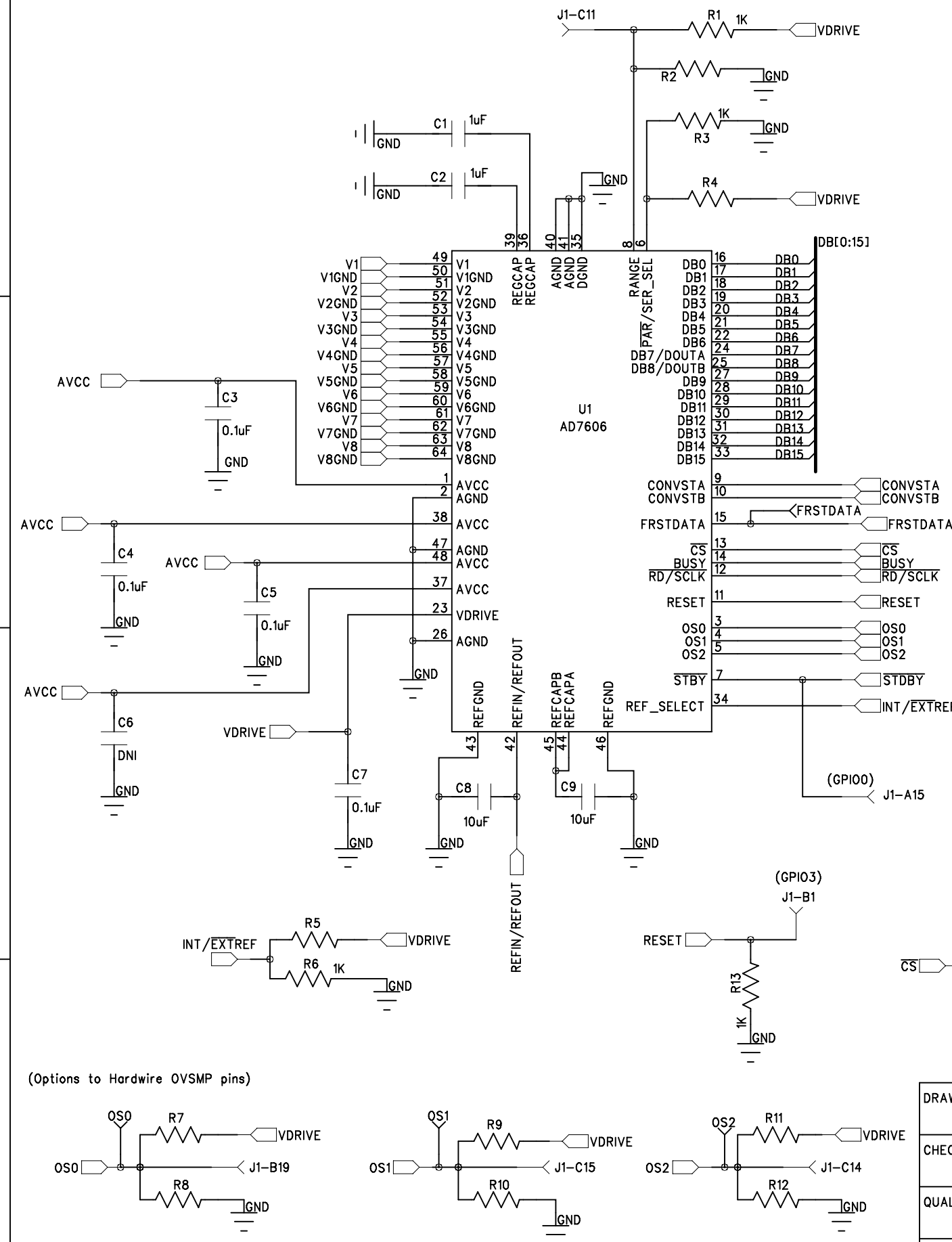
A

A

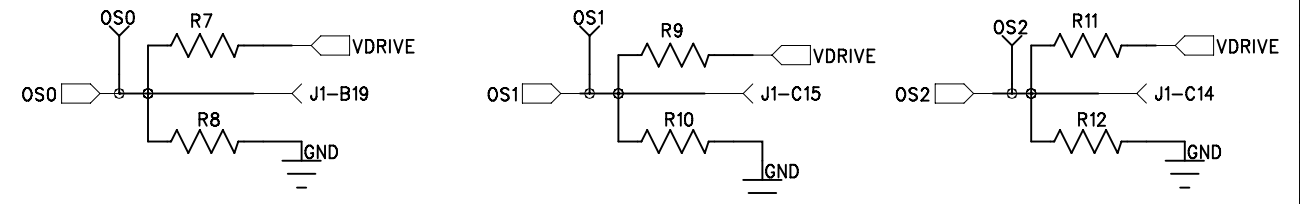
U13 Bypass Capacitors

REVISION RECORD

LTR	ECO NO:	APPROVED:	DATE:



(Options to Hardwire OVSMP pins)



COMPANY: Analog Devices Inc.

TITLE: AD7606 Evaluation Board Schematic

DRAWN:	DATED:	CODE:	SIZE:	DRAWING NO:	REV:
CHECKED:	DATED:	Eval-AD7606EDZ		A	A
QUALITY CONTROL:	DATED:	SHEET 1 of 4			
RELEASED:	DATED:	SCALE:			

6

5

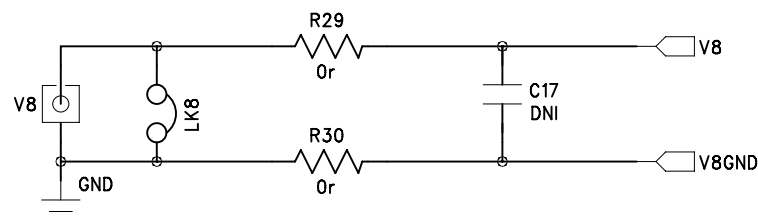
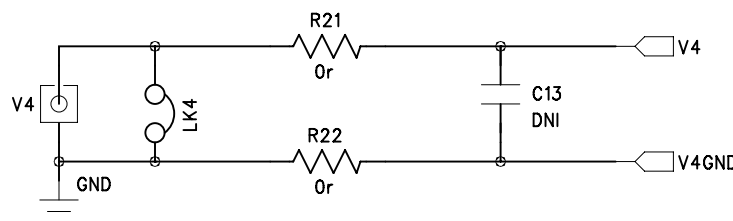
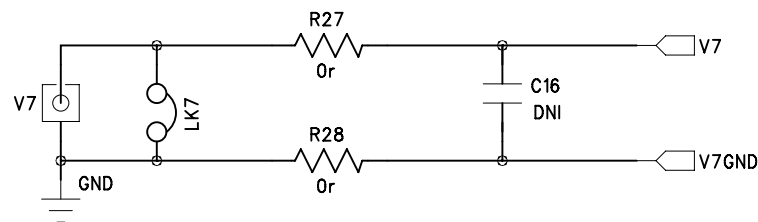
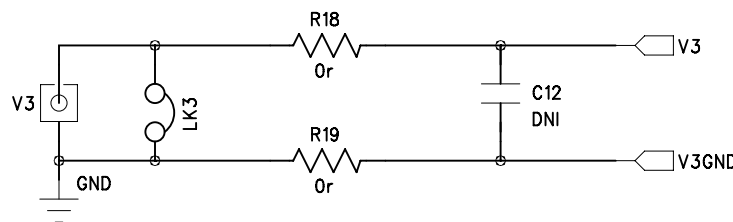
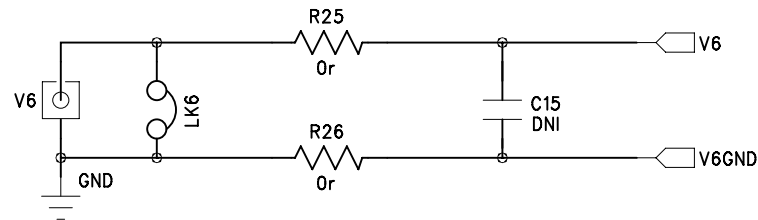
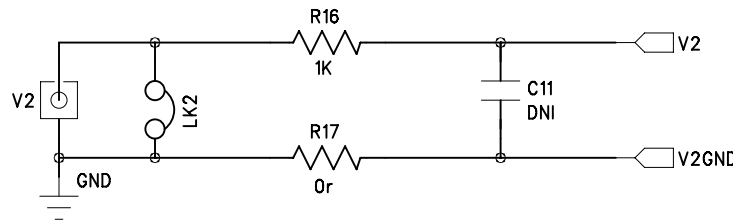
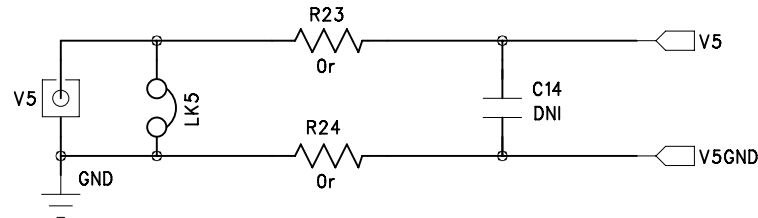
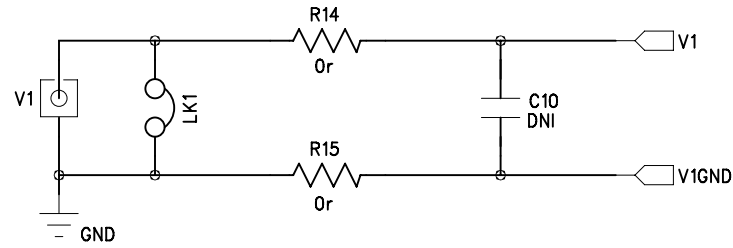
4

3

2

1

REVISION RECORD			
LTR	ECO NO:	APPROVED:	DATE:



COMPANY:				Analog Devices Inc.			
TITLE:				AD7606 Evaluation Board Schematic			
DRAWN:		DATED:		CODE:		DRAWING NO:	
CHECKED:		DATED:		SIZE:		EVAL-AD7606EDZ	
QUALITY CONTROL:		DATED:		SCALE:		REV: A	
RELEASED:		DATED:		SHEET: 2 OF 4			

DRAWN:	DATED:
CHECKED:	DATED:
QUALITY CONTROL:	DATED:
RELEASED:	DATED:

D

D

C

C

B

B

A

A

6

5

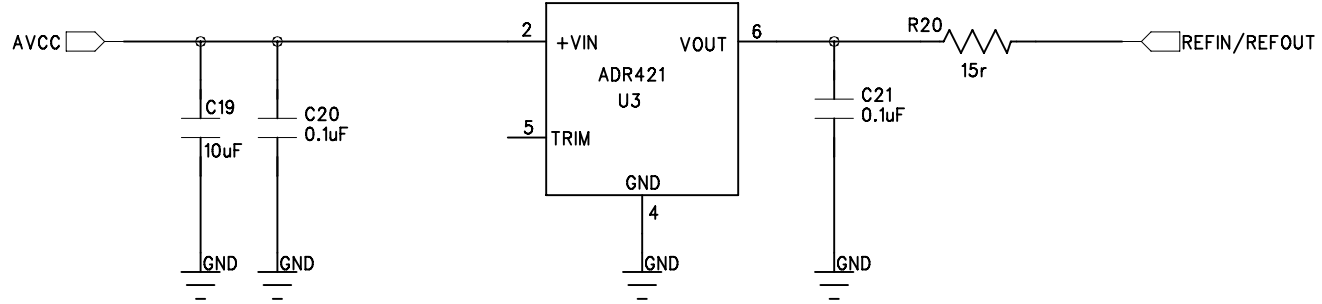
4

3

2

1

REVISION RECORD			
LTR	ECO NO:	APPROVED:	DATE:



D

D

C

C

B

B

A

A

COMPANY:				Analog Devices Inc.			
TITLE:				AD7606 Evaluation Board Schematic			
CODE:	SIZE:	DRAWING NO:		REV:			
		EVAL-AD7606EDZ		A1			
SCALE:				SHEET: 3 OF 4			

DRAWN:	DATED:
CHECKED:	DATED:
QUALITY CONTROL:	DATED:
RELEASED:	DATED:

6

5

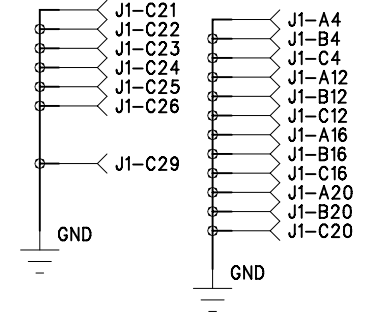
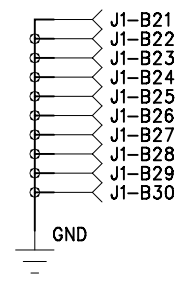
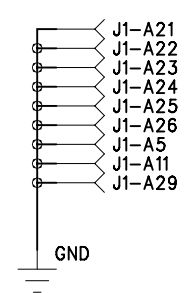
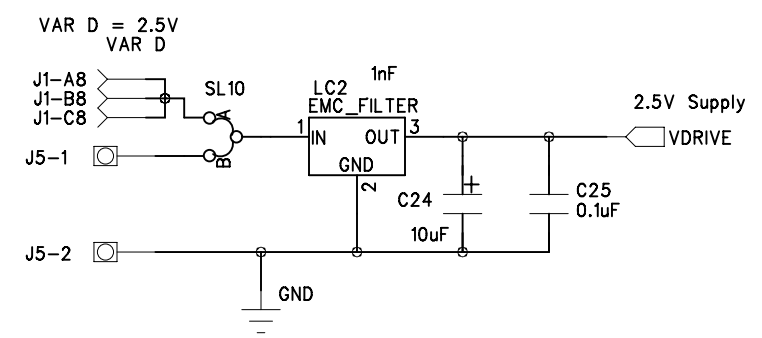
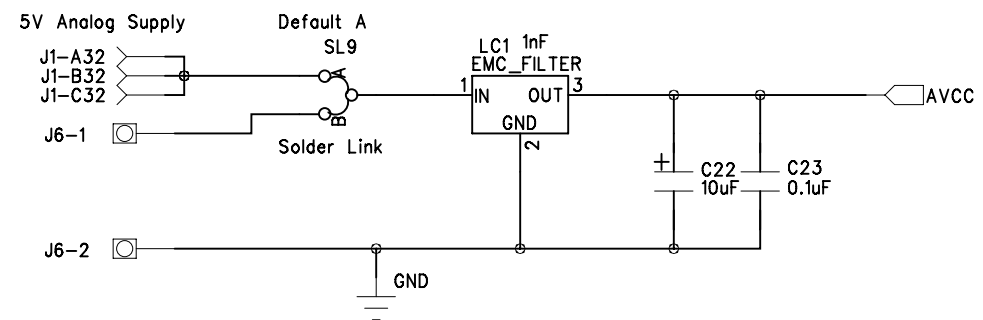
4

3

2

1

REVISION RECORD			
LTR	ECO NO:	APPROVED:	DATE:



COMPANY: Analog Devices Inc.			
TITLE: AD7606 Evaluation Board Schematic			
CODE:	SIZE:	DRAWING NO:	REV:
		EVAL-AD7606EDZ	A
SCALE:			SHEET: 4 OF 4

DRAWN:	DATED:
CHECKED:	DATED:
QUALITY CONTROL:	DATED:
RELEASED:	DATED:

D

D

C

C

B

B

A

A