

6

5

4

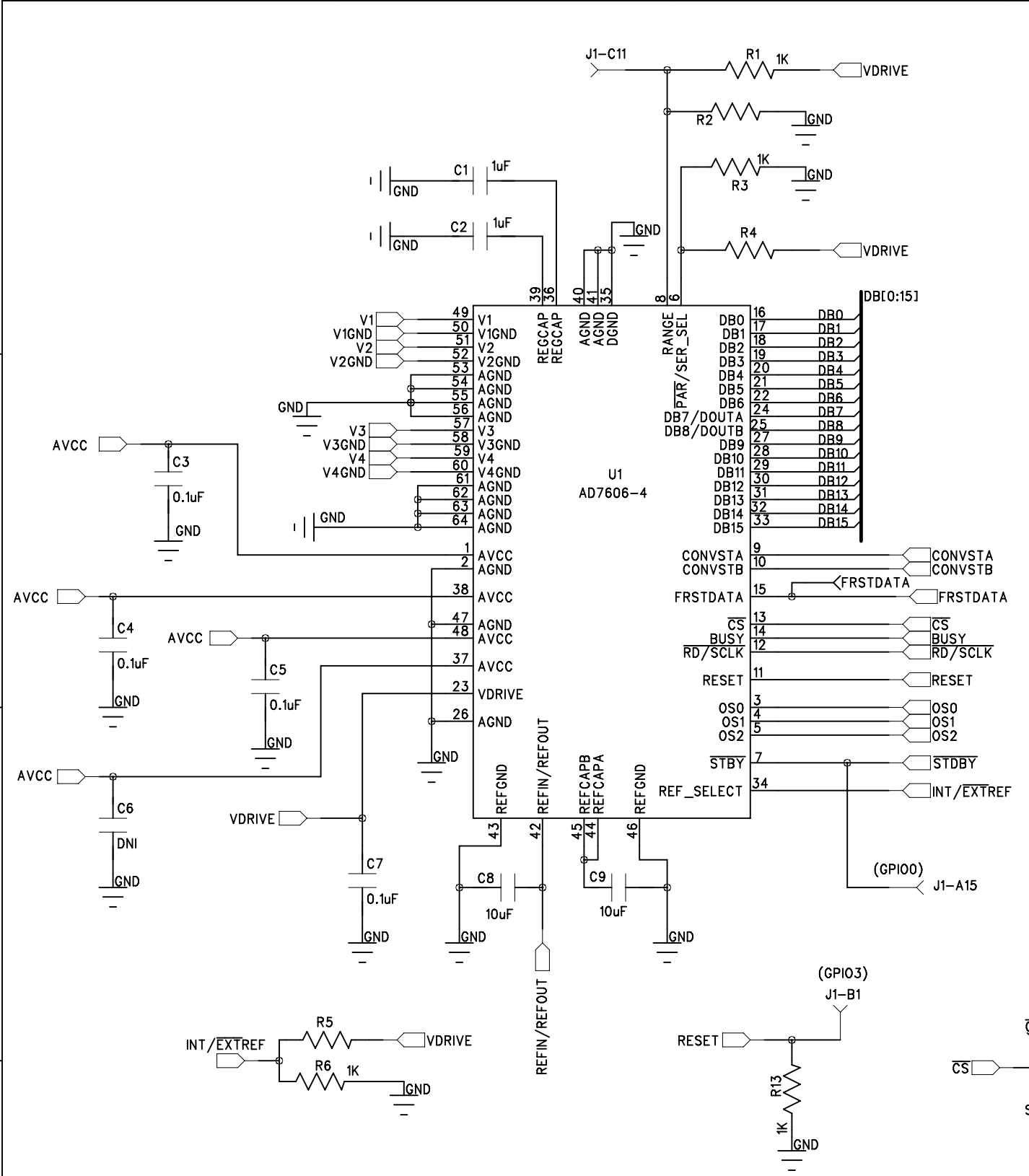
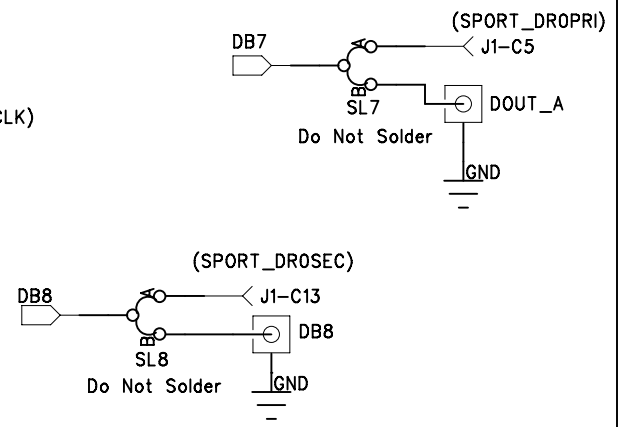
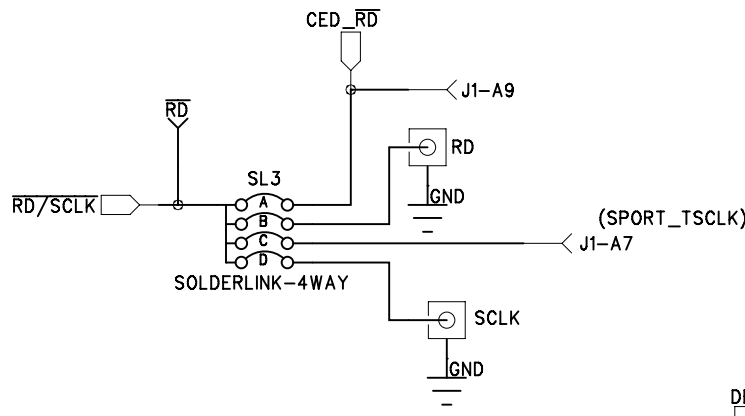
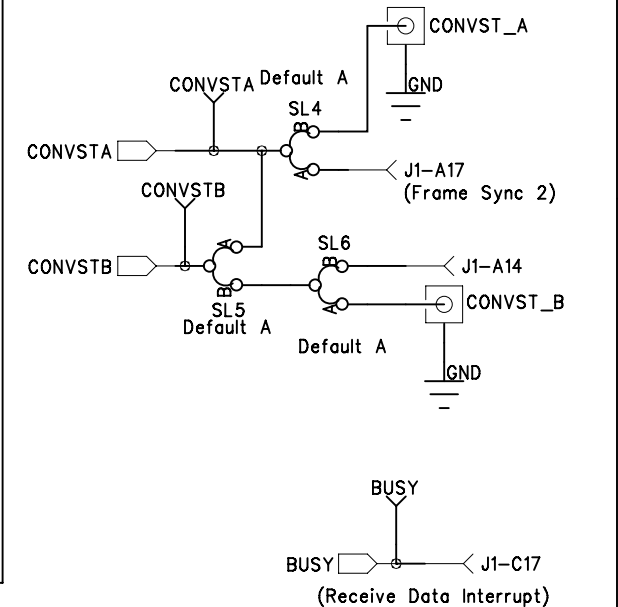
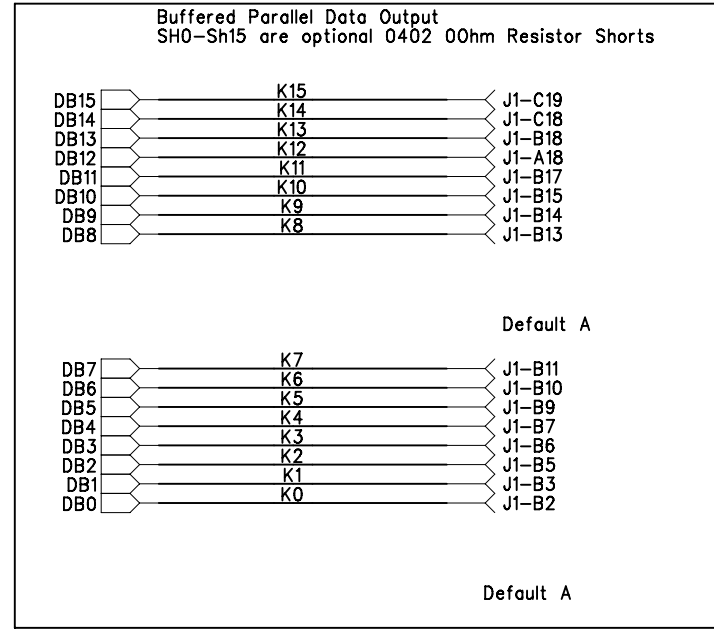
3

2

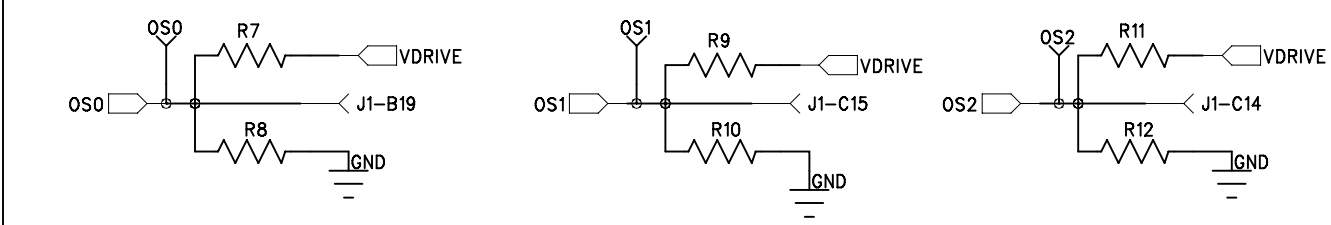
1

| REVISION RECORD |            |            |           |
|-----------------|------------|------------|-----------|
| LTR             | ECO NO:    | APPROVED:  | DATE:     |
| A               | ECR-046835 | R Finnerty | 23-Jun 14 |
|                 |            |            |           |
|                 |            |            |           |

U13 Bypass Capacitors



(Options to Hardwire OVSMP pins)



|                              |                     |                       |              |
|------------------------------|---------------------|-----------------------|--------------|
| COMPANY: Analog Devices Inc. |                     |                       |              |
| TITLE: EVAL-AD7606-4EDZ      |                     |                       |              |
| DRAWN: Pat Sheahan           | DATED: 23-June 2014 | CODE:                 | SIZE:        |
| CHECKED: Rob Finnerty        | DATED: 23-June 2014 | DRAWING NO: 02-037268 |              |
| QUALITY CONTROL:             | DATED:              | REV: A                |              |
| RELEASED:                    | DATED:              | SCALE:                |              |
|                              |                     |                       | SHEET 1 of 4 |

D

C

B

A

D

C

B

A

6

5

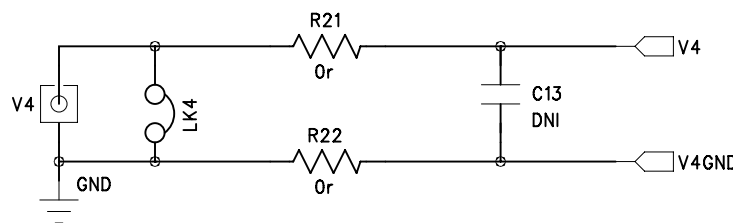
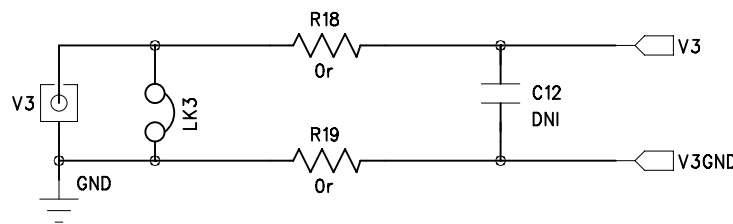
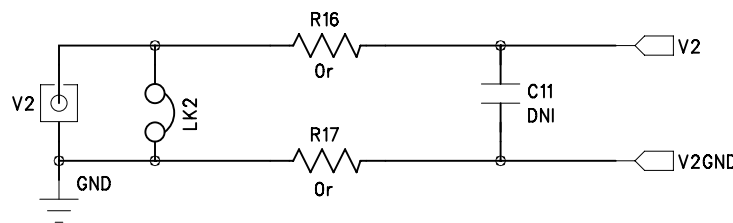
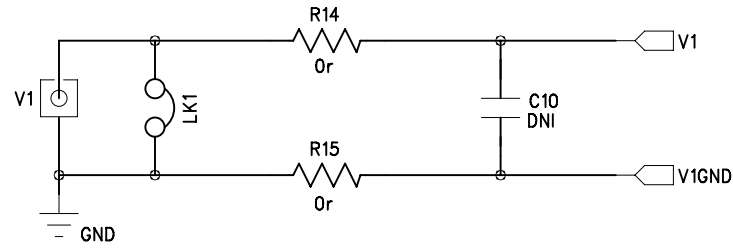
4

3

2

1

| REVISION RECORD |         |           |       |
|-----------------|---------|-----------|-------|
| LTR             | ECO NO: | APPROVED: | DATE: |
|                 |         |           |       |
|                 |         |           |       |
|                 |         |           |       |
|                 |         |           |       |



|                  |  |        |  |                     |  |       |  |               |  |      |  |
|------------------|--|--------|--|---------------------|--|-------|--|---------------|--|------|--|
| COMPANY:         |  |        |  | Analog Devices Inc. |  |       |  |               |  |      |  |
| TITLE:           |  |        |  | EVAL-AD7606-4EDZ    |  |       |  |               |  |      |  |
| DRAWN:           |  | DATED: |  | CODE:               |  | SIZE: |  | DRAWING NO:   |  | REV: |  |
| CHECKED:         |  | DATED: |  |                     |  |       |  | 02-037268     |  | A    |  |
| QUALITY CONTROL: |  | DATED: |  |                     |  |       |  |               |  |      |  |
| RELEASED:        |  | DATED: |  | SCALE:              |  |       |  | SHEET: 2 OF 4 |  |      |  |

D

C

B

A

D

C

B

A

6

5

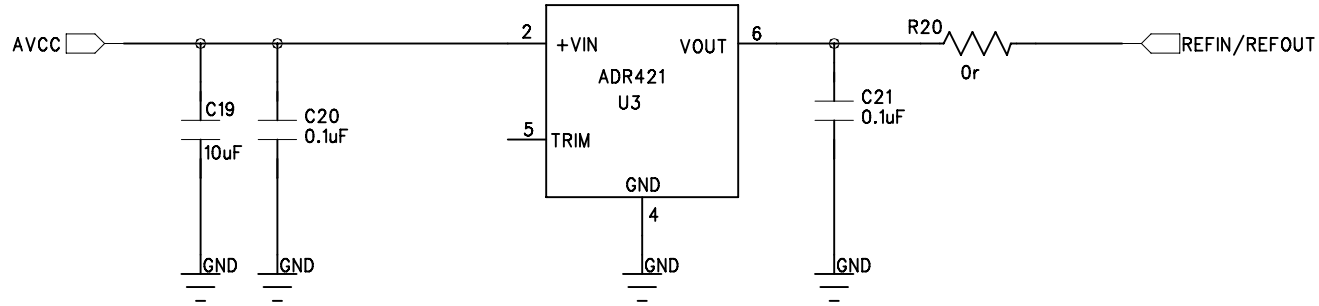
4

3

2

1

| REVISION RECORD |         |           |       |
|-----------------|---------|-----------|-------|
| LTR             | ECO NO: | APPROVED: | DATE: |
|                 |         |           |       |
|                 |         |           |       |
|                 |         |           |       |
|                 |         |           |       |



D

D

C

C

B

B

A

A

|          |  |       |  |                     |  |               |  |
|----------|--|-------|--|---------------------|--|---------------|--|
| COMPANY: |  |       |  | Analog Devices Inc. |  |               |  |
| TITLE:   |  |       |  | EVAL-AD7606-4EDZ    |  |               |  |
| CODE:    |  | SIZE: |  | DRAWING NO:         |  | REV:          |  |
|          |  |       |  | 02-037268           |  | A             |  |
| SCALE:   |  |       |  |                     |  | SHEET: 3 OF 4 |  |

|                  |        |
|------------------|--------|
| DRAWN:           | DATED: |
| CHECKED:         | DATED: |
| QUALITY CONTROL: | DATED: |
| RELEASED:        | DATED: |

6

5

4

3

2

1

| REVISION RECORD |         |           |       |
|-----------------|---------|-----------|-------|
| LTR             | ECO NO: | APPROVED: | DATE: |
|                 |         |           |       |
|                 |         |           |       |
|                 |         |           |       |
|                 |         |           |       |

D

D

C

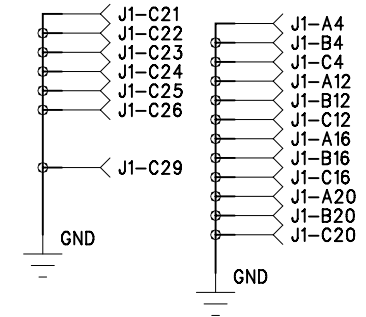
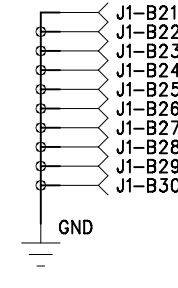
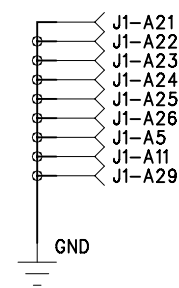
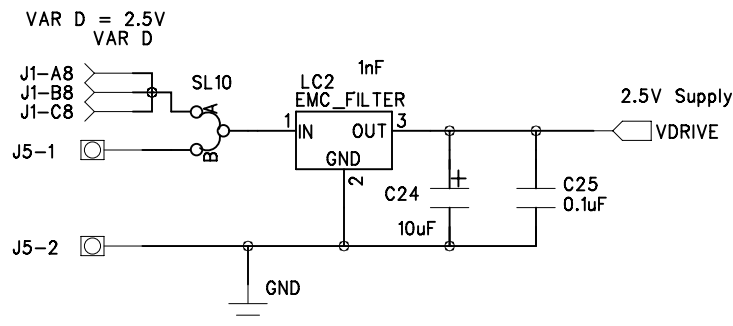
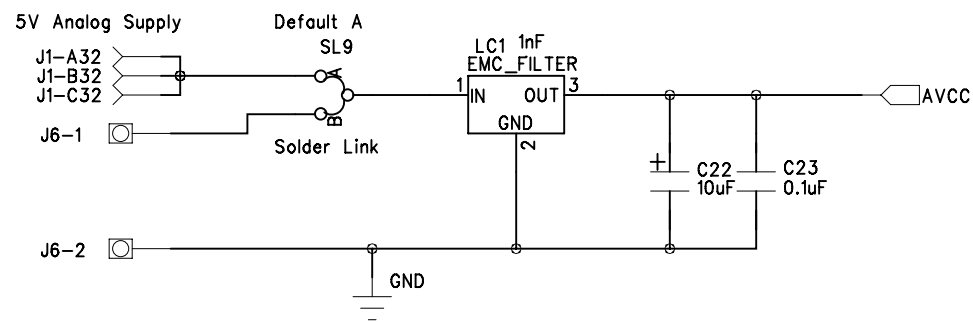
C

B

B

A

A



|                  |  |        |  |                     |  |       |  |               |  |      |  |
|------------------|--|--------|--|---------------------|--|-------|--|---------------|--|------|--|
| COMPANY:         |  |        |  | Analog Devices Inc. |  |       |  |               |  |      |  |
| TITLE:           |  |        |  | EVAL-AD7606-4EDZ    |  |       |  |               |  |      |  |
| DRAWN:           |  | DATED: |  | CODE:               |  | SIZE: |  | DRAWING NO:   |  | REV: |  |
| CHECKED:         |  | DATED: |  | 02-037268           |  |       |  |               |  | A    |  |
| QUALITY CONTROL: |  | DATED: |  |                     |  |       |  |               |  |      |  |
| RELEASED:        |  | DATED: |  | SCALE:              |  |       |  | SHEET: 4 OF 4 |  |      |  |