

6

5

4

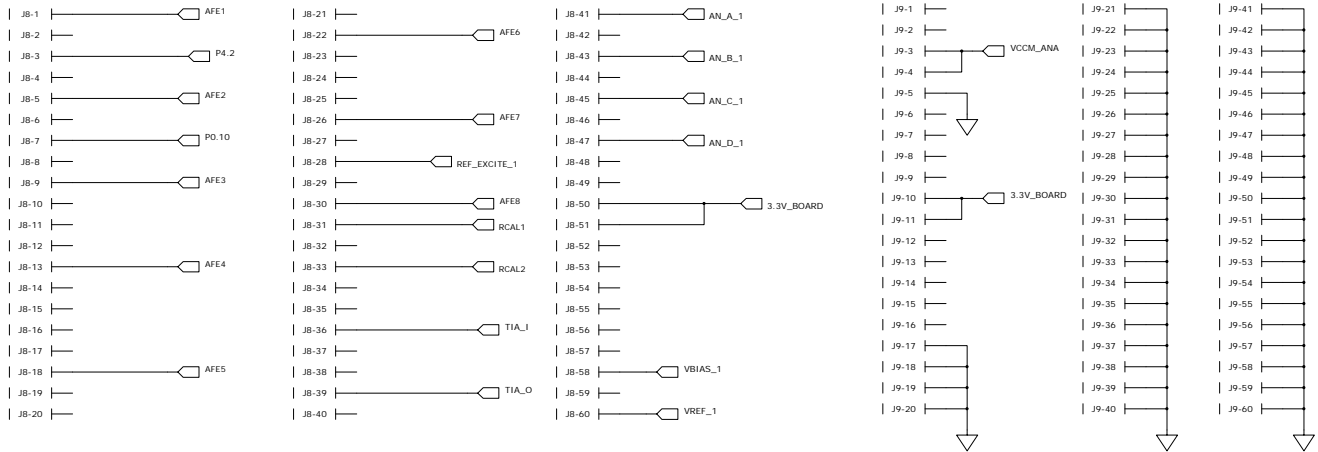
3

2

1

REVISION RECORD			
LTR	ECD NO:	APPROVED:	DATE:

MotherBoard Connector - Align J8 and J9.



COMPANY: Analog Devices			
TITLE: Configurable Load Board			
CODE:	SIZE: A3	DRAWING NO:	REV: 0
SCALE:		SHEET: 1 of 3	

DRAWN: E. Moloney	DATED: Nov. 2012
CHECKED:	DATED:
QUALITY CONTROL:	DATED:
RELEASED:	DATED:

D
C
B
A

D
C
B
A

6

5

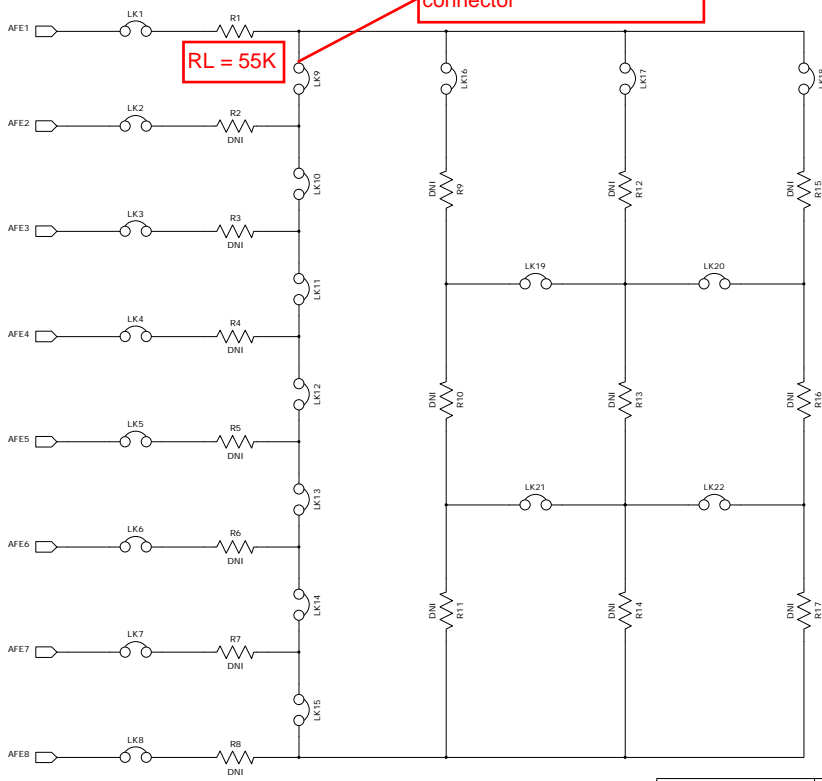
4

3

2

1

Switch Matrix Connections



RL = 55K

Tied To Ground using connector

LK9,LK16,LK17,LK18 Open

REVISION RECORD			
LTR	ECD NO:	APPROVED:	DATE:

COMPANY:				Analog Devices			
TITLE:				Configurable Load Board			
CODE:	SIZE:	DRAWING NO:		REV:			
	A3			0			
SCALE:						SHEET: 2 of 3	

DRAWN:	E. Moloney	DATED:	Nov. 2012
CHECKED:		DATED:	
QUALITY CONTROL:		DATED:	
RELEASED:		DATED:	

D

C

B

A

D

C

B

A

6

5

4

3

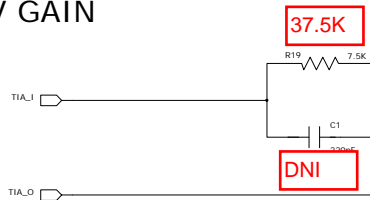
2

1

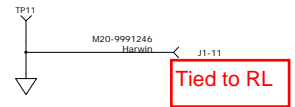
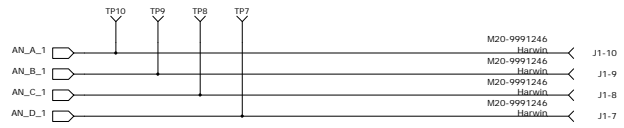
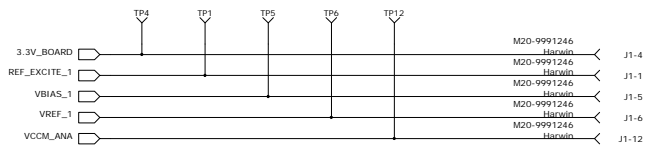
RCAL



IV GAIN



REVISION RECORD			
LTR	ECD NO:	APPROVED:	DATE:



COMPANY: Analog Devices			
TITLE: Configurable Load Board			
DRAWN: E. Moloney	DATED: Nov. 2012	CODE:	SIZE: A3
CHECKED:	DATED:	DRAWING NO: MISC	REV: 0
QUALITY CONTROL:	DATED:	SCALE:	
RELEASED:	DATED:	SHEET: 3 of 3	