

THIS DRAWING IS THE PROPERTY OF ANALOG DEVICES INC. IT IS NOT TO BE REPRODUCED OR COPIED, IN WHOLE OR IN PART, OR USED IN FURNISHING INFORMATION TO OTHERS, OR FOR ANY OTHER PURPOSE DETRIMENTAL TO THE INTERESTS OF ANALOG DEVICES. THE EQUIPMENT SHOWN HEREON MAY BE PROTECTED BY PATENTS OWNED OR CONTROLLED BY ANALOG DEVICES.

RELAY CONTROL CHART

CONTROL	CODE	DEVICE	FUNCTION	CONNECTOR

JUMPER TABLE

JP#	ON	OFF
1		
2		
3		
4		
5		

* SEE ASSEMBLY INSTRUCTIONS

REVISIONS

REV	DESCRIPTION	DATE	APPROVED
A	INITIAL RELEASE	10FEB17	M.RAMOS

SCHEMATIC

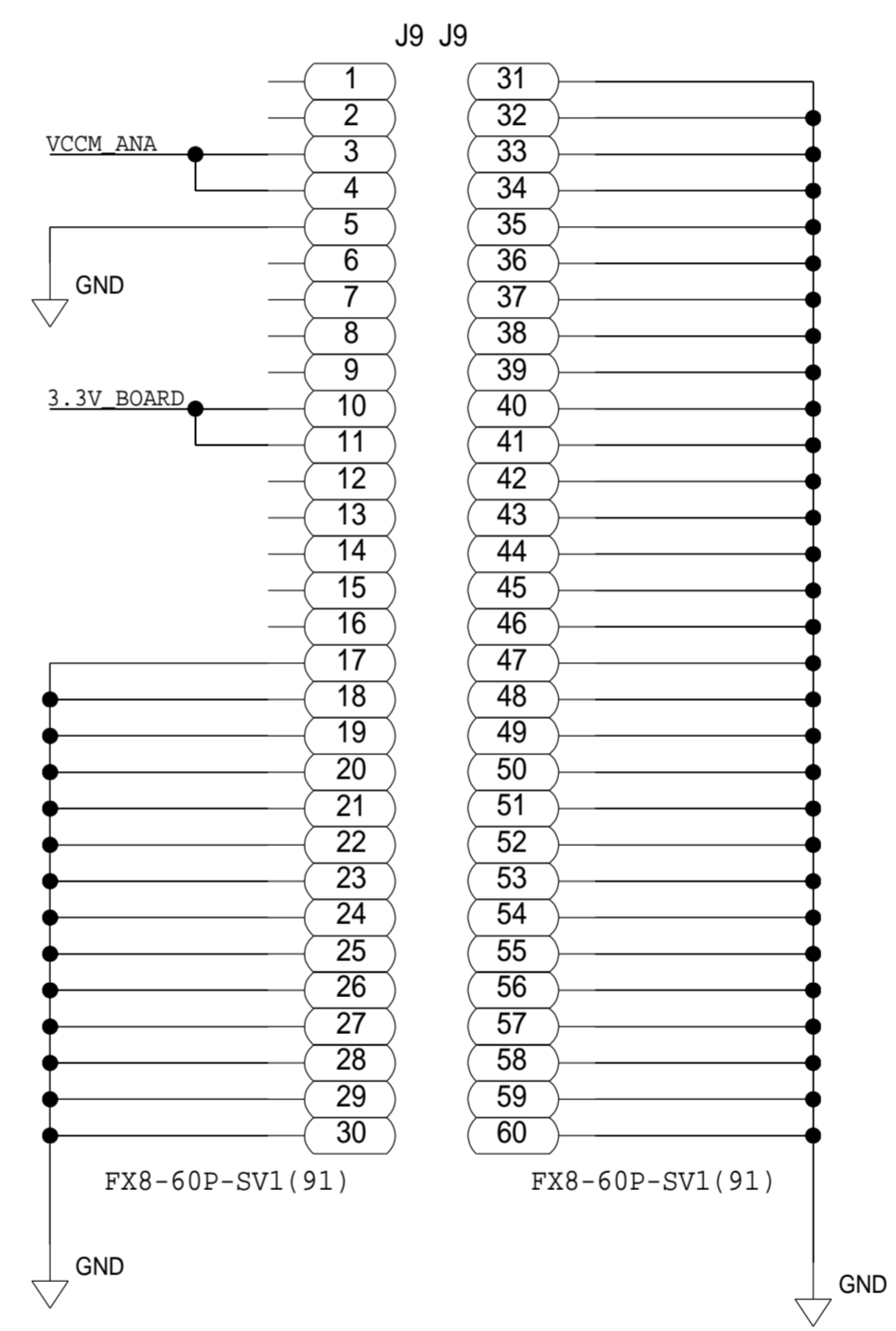
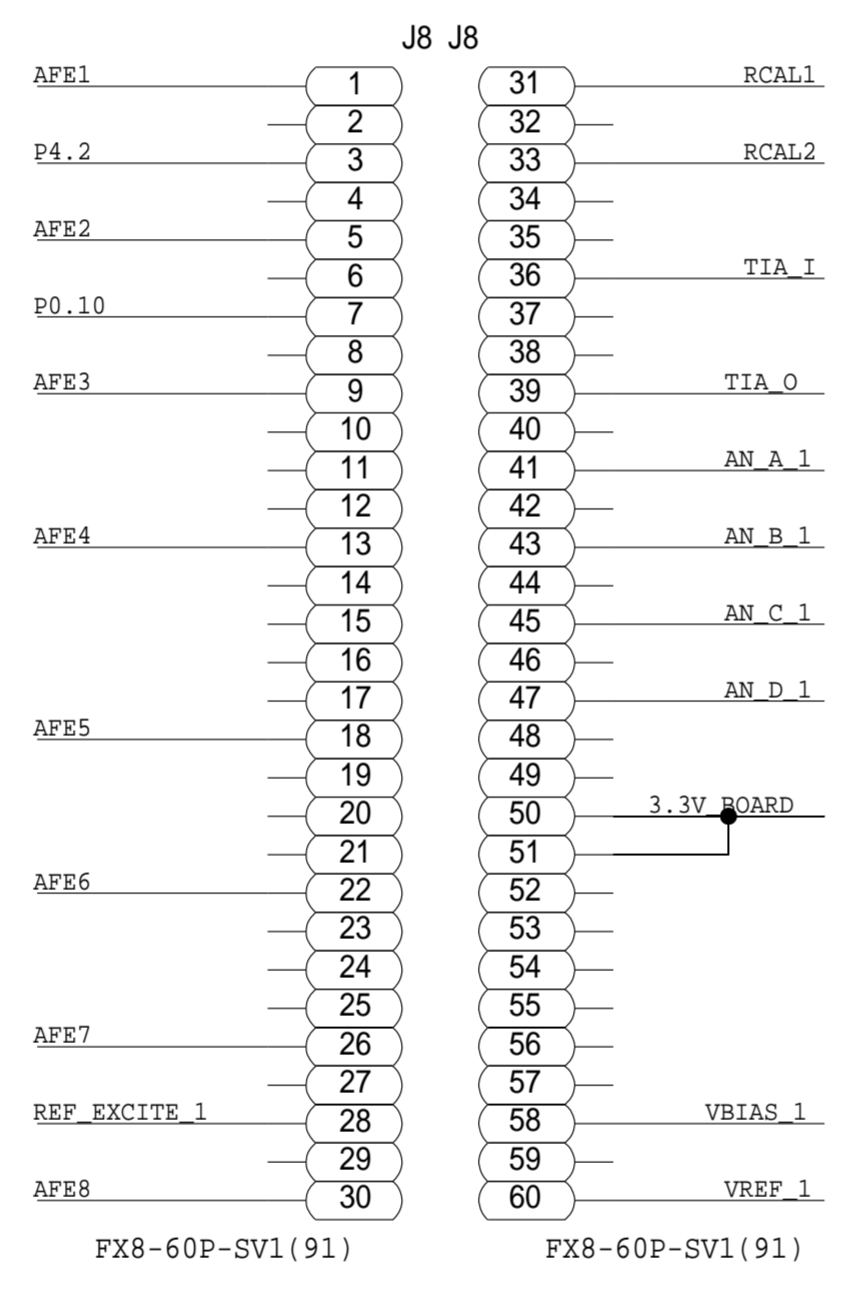


TEMPLATE ENGINEER N/A	DATE N/A	SCHEMATIC HW TYPE : Customer Evaluation Product(s) : ADuCM350 : AD8226 PACKAGE : N/A-lead N/A N/A-family : Pitch-pitch StyleVendor Style <User Define> <User Define> <User Define>						
HARDWARE SERVICES N/A	N/A							
HARDWARE SYSTEMS N/A	N/A							
TEST ENGINEER N/A	N/A							
COMPONENT ENGINEER N/A	N/A							
TEST PROCESS N/A	N/A							
HARDWARE RELEASE N/A	N/A	MASTER PROJECT TEMPLATE : TBD TESTER TEMPLATE : no_template DRAWING NO. 02_045801 REV. B						
DESIGNER R. TRINIDAD	09FEB17	UNLESS OTHERWISE SPECIFIED DIMENSIONS ARE IN INCHES TOLERANCES DECIMALS : X.XX +0.010 FRACTIONS : +1/32 ANGLES : +2 X.XXX +0.005						
PTD ENGINEER M. RAMOS	10FEB17							
CHECKER N/A	N/A							
P.O SPEC.	BK/BD SPEC.	SOCKET OEM	OEM PART#	HANDLER	SIZE D	SCALE 1:1	CODE ID NO. CodeID	SHEET 1 OF 4

8 7 6 5 4 3 2 1

REVISIONS			
REV	DESCRIPTION	DATE	APPROVED

MOTHERBOARD CONNECTOR - ALIGN J8 AND J9.



D
C
B
A

D
C
B
A

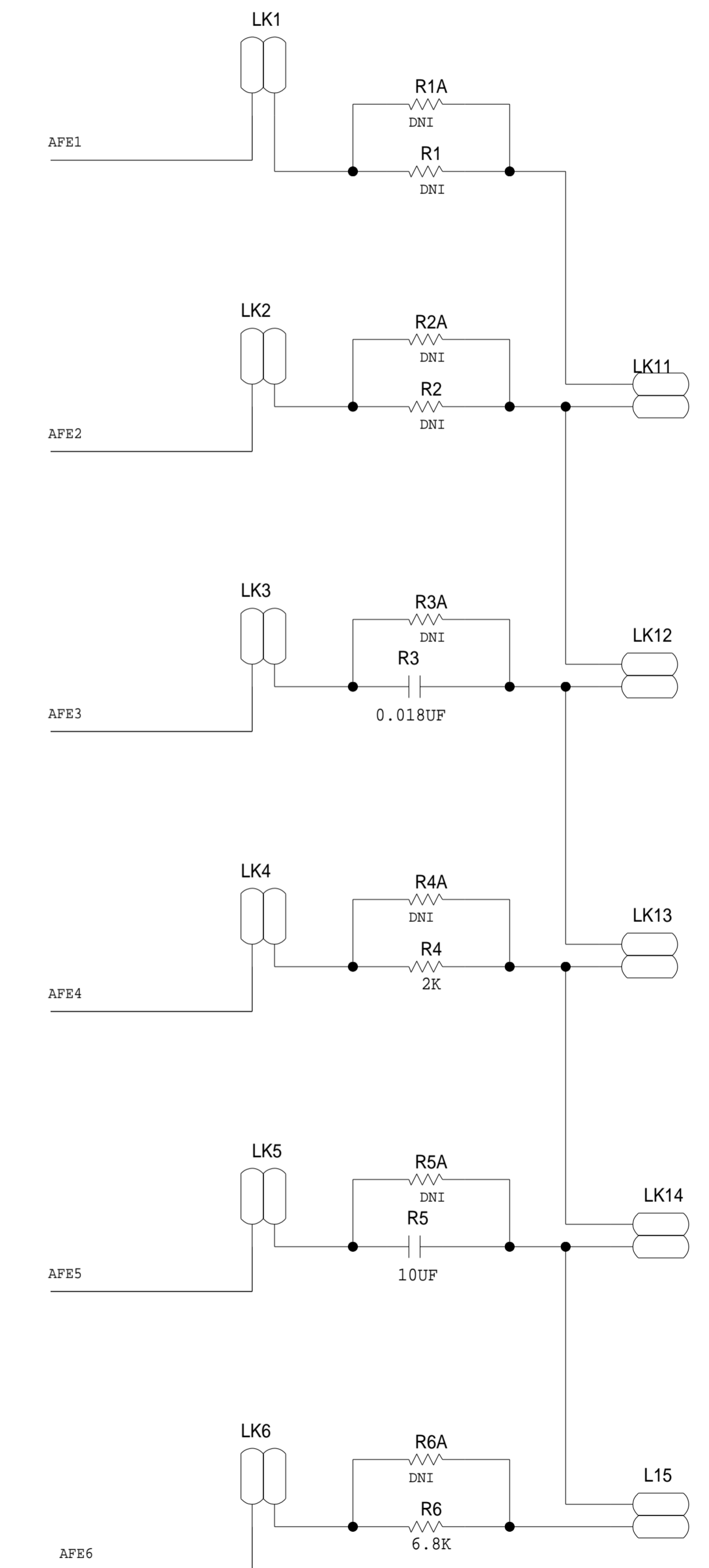
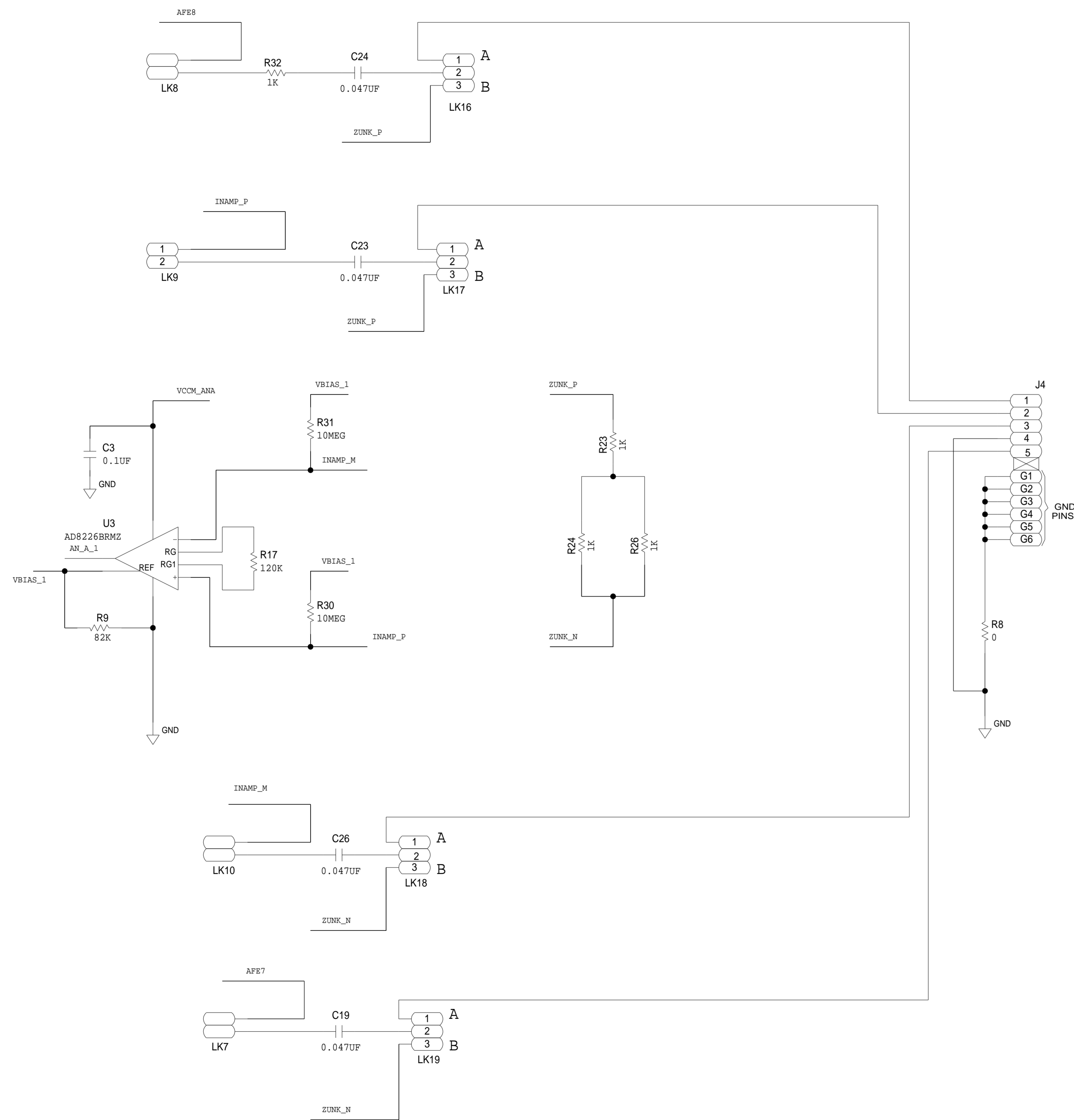
8 7 6 5 4 3 2 1

	SCHEMATIC		
	HW TYPE : Customer Evaluation Product(s): ADuCM350 : AD8226		
	DESIGN VIEW <DESIGN_VIEW>	DRAWING NO. 02_045801	REV B
	PTD ENGINEER M. RAMOS	SIZE D	SCALE 1:1
		SHEET 2 OF 4	

4 WIRE BIO IMPEDANCE CONFIGURATION

UNCOMMITTED CONFIGURATION

REVISIONS			
REV	DESCRIPTION	DATE	APPROVED

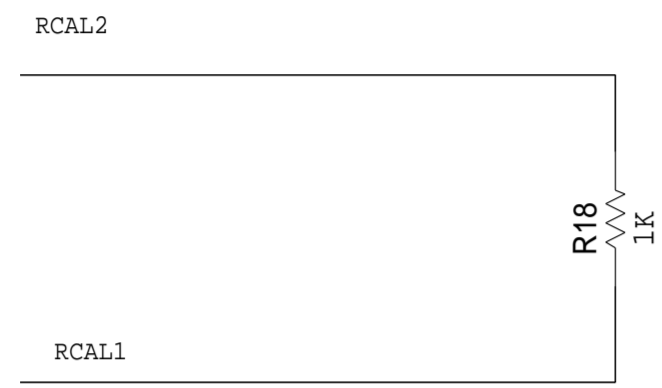


<p>THIS DRAWING IS THE PROPERTY OF ANALOG DEVICES INC. IT IS NOT TO BE REPRODUCED OR COPIED, IN WHOLE OR IN PART, OR USED IN FURNISHING INFORMATION TO OTHERS, OR FOR ANY OTHER PURPOSE DETRIMENTAL TO THE INTERESTS OF ANALOG DEVICES. THE EQUIPMENT SHOWN HEREON MAY BE PROTECTED BY PATENTS OWNED OR CONTROLLED BY ANALOG DEVICES.</p>	SCHEMATIC		
	HW TYPE : Customer Evaluation Product(s) : ADUCM350 : AD8226		
	DESIGN VIEW <DESIGN_VIEW>	DRAWING NO. 02_045801	REV B
	PTD ENGINEER M. RAMOS	SIZE D	SCALE 1:1
		SHEET 3 OF 4	

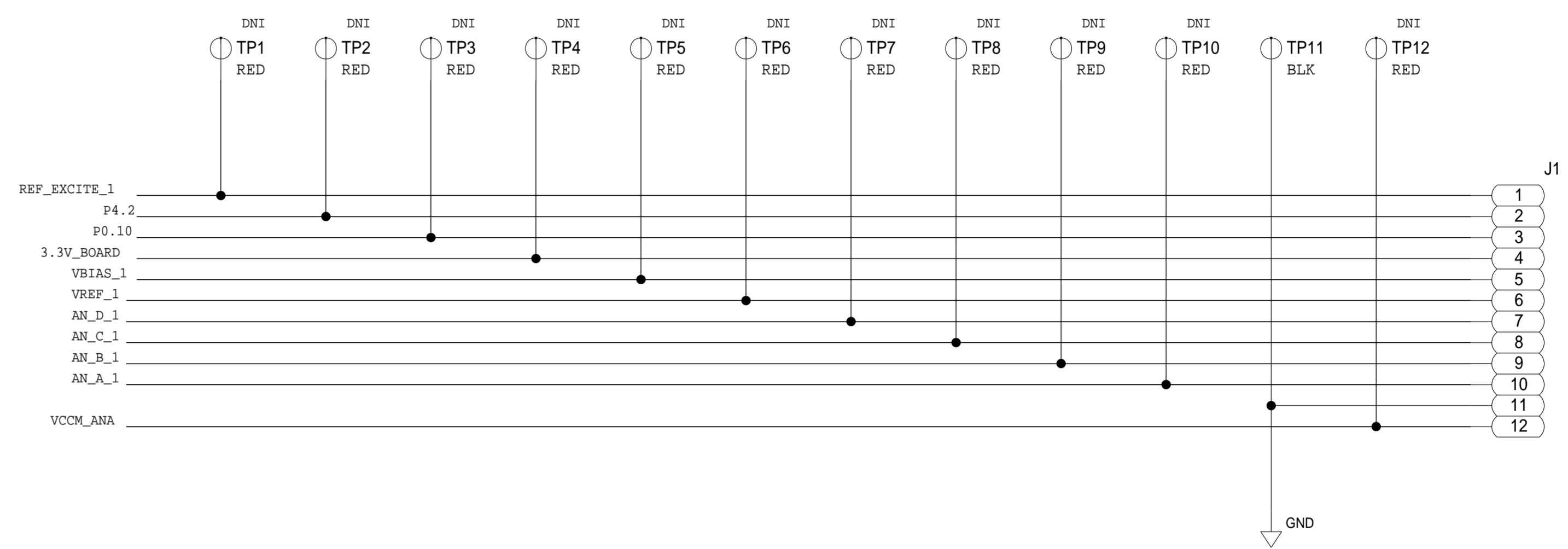
8 7 6 5 4 3 2 1

REVISIONS			
REV	DESCRIPTION	DATE	APPROVED

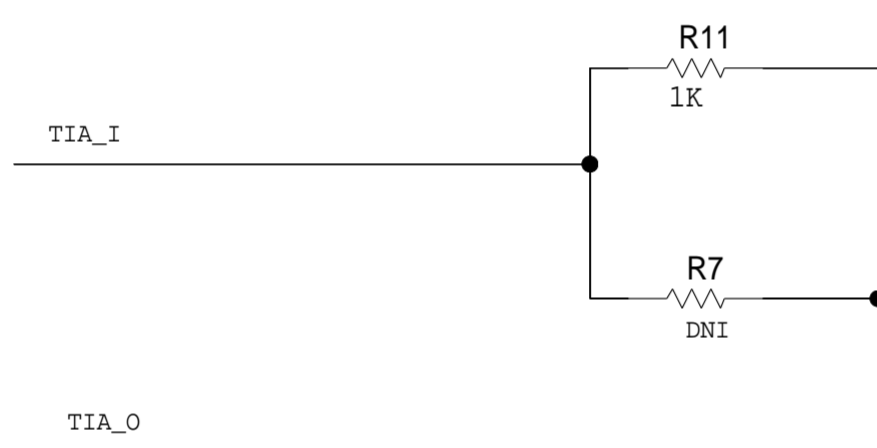
RCAL



TEST POINTS



IV GAIN



D
C
B
A

D
C
B
A

8 7 6 5 4 3 2 1

	SCHEMATIC		
	HW TYPE : Customer Evaluation Product(s) : ADuCM350 : AD8226		
	DESIGN VIEW <DESIGN_VIEW>	DRAWING NO. 02_045801	REV B
PTD ENGINEER M. RAMOS	SIZE D	SCALE 1:1	SHEET 4 OF 4

THIS DRAWING IS THE PROPERTY OF ANALOG DEVICES INC. IT IS NOT TO BE REPRODUCED OR COPIED IN WHOLE OR IN PART, OR USED IN FURNISHING INFORMATION TO OTHERS, OR FOR ANY OTHER PURPOSE DETRIMENTAL TO THE INTERESTS OF ANALOG DEVICES. THE EQUIPMENT SHOWN HEREON MAY BE PROTECTED BY PATENTS OWNED OR CONTROLLED BY ANALOG DEVICES.