

6

5

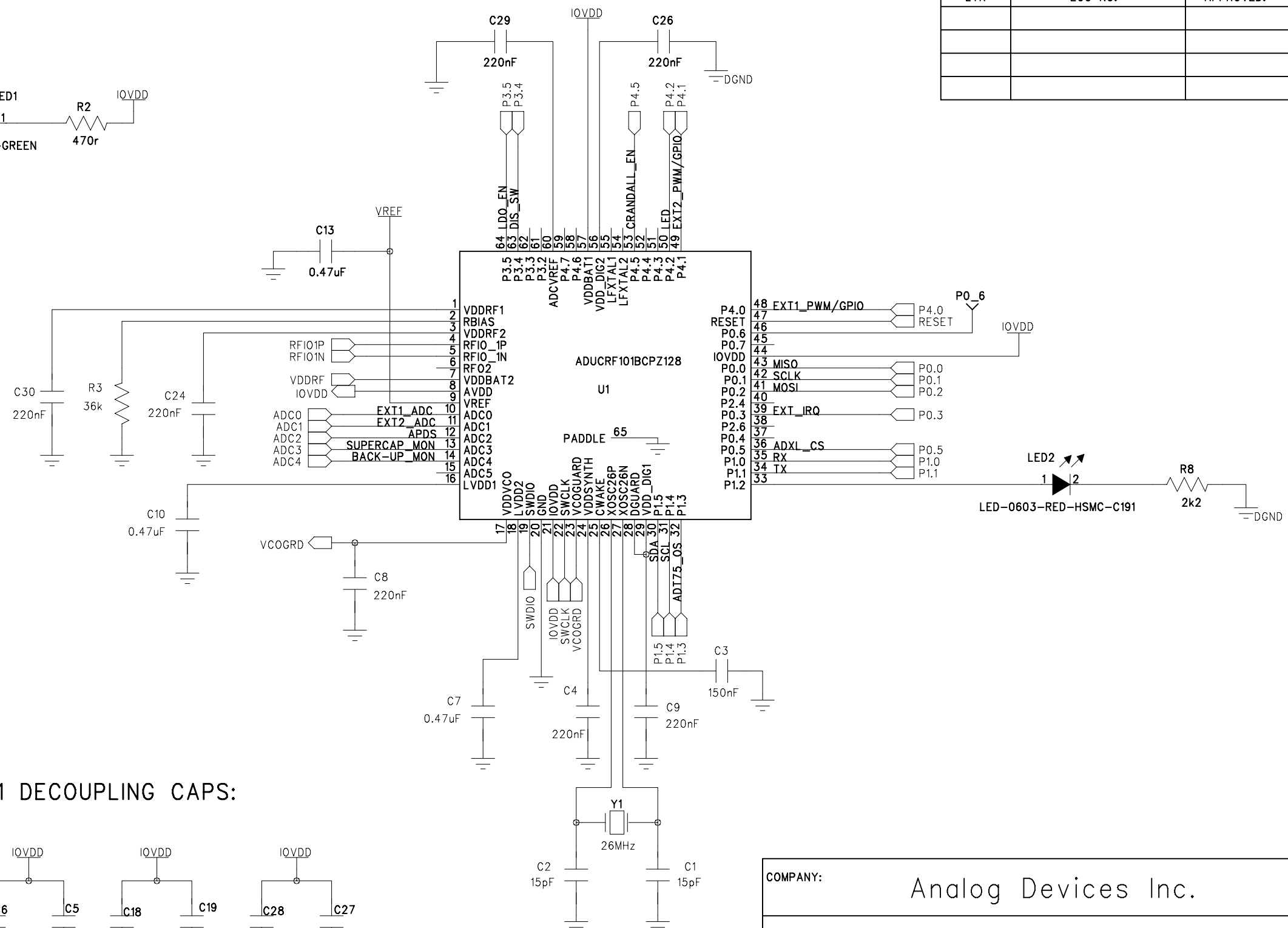
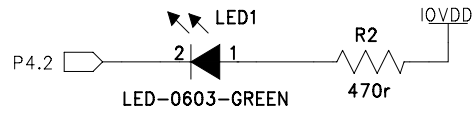
4

3

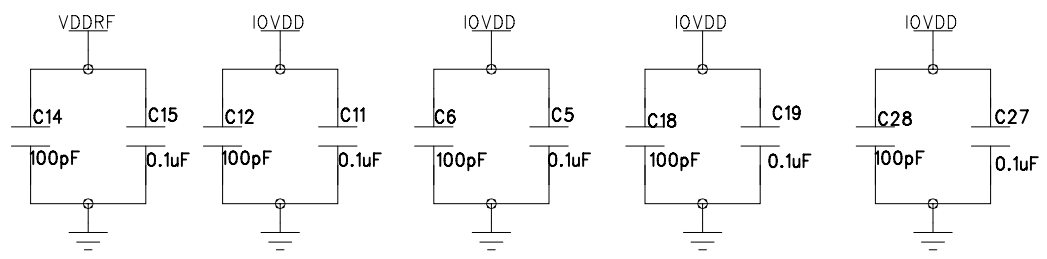
2

1

REVISION RECORD			
LTR	ECO NO:	APPROVED:	DATE:



ADuCRF101 DECOUPLING CAPS:



COMPANY: Analog Devices Inc.

TITLE: BUNCH-WSN

DRAWN: Michal Raninec	DATED: MAY 2014	CODE:		SIZE:	DRAWING NO:	REV:
CHECKED: <Checked By>	DATED: <Checked Date>	<Code>	A3	BUNCH-WSN	A	
QUALITY CONTROL: <QC By>	DATED: <QC Date>	SCALE: <Scale>		SHEET: 1 OF 4		
RELEASED: <Released By>	DATED: <Release Date>					

D

C

B

A

D

C

B

A

6

5

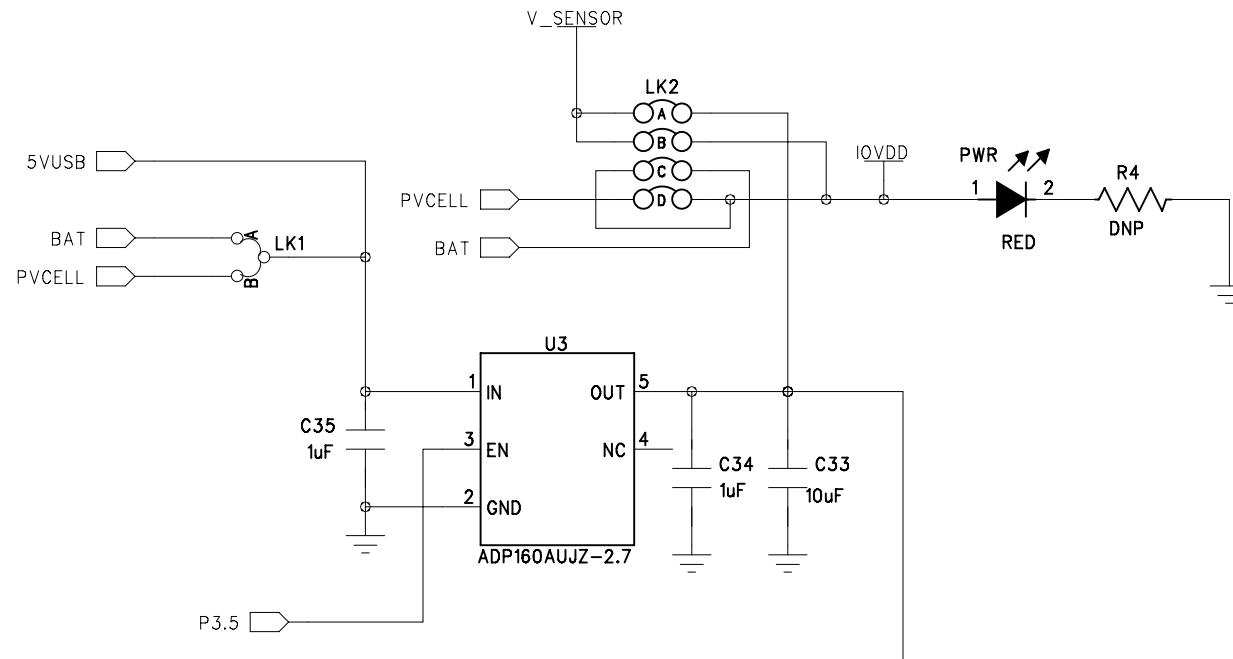
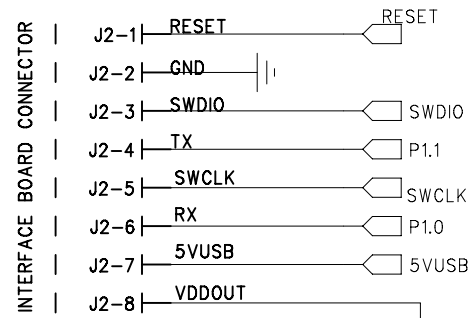
4

3

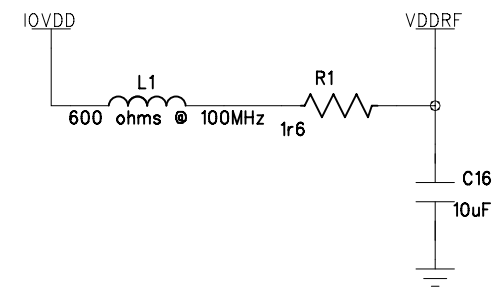
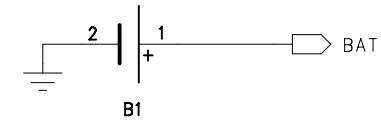
2

1

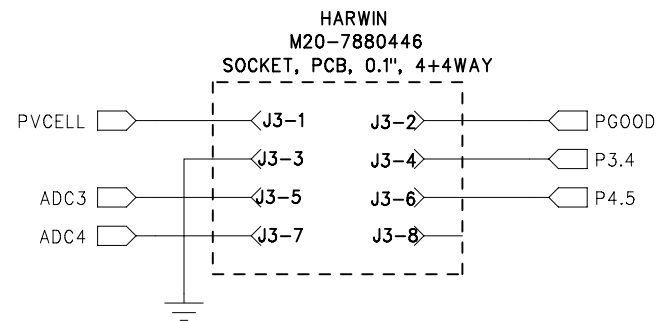
REVISION RECORD			
LTR	ECO NO:	APPROVED:	DATE:



BATT HOLDER_SMD_CR2032_KEystone-1061



Crandall Connector



COMPANY:				Analog Devices Inc.	
TITLE:				BUNCH-WSN	
DRAWN:	DATED:	CODE:	SIZE:	DRAWING NO:	REV:
Michal Raninec	MAY 2014	<Code>	A3	BUNCH-WSN	A
CHECKED:	DATED:	SCALE: <Scale>		SHEET: 2 of 4	
<Checked By>	<Checked Date>				
QUALITY CONTROL:	DATED:				
<QC By>	<QC Date>				
RELEASED:	DATED:				
<Released By>	<Release Date>				

6

5

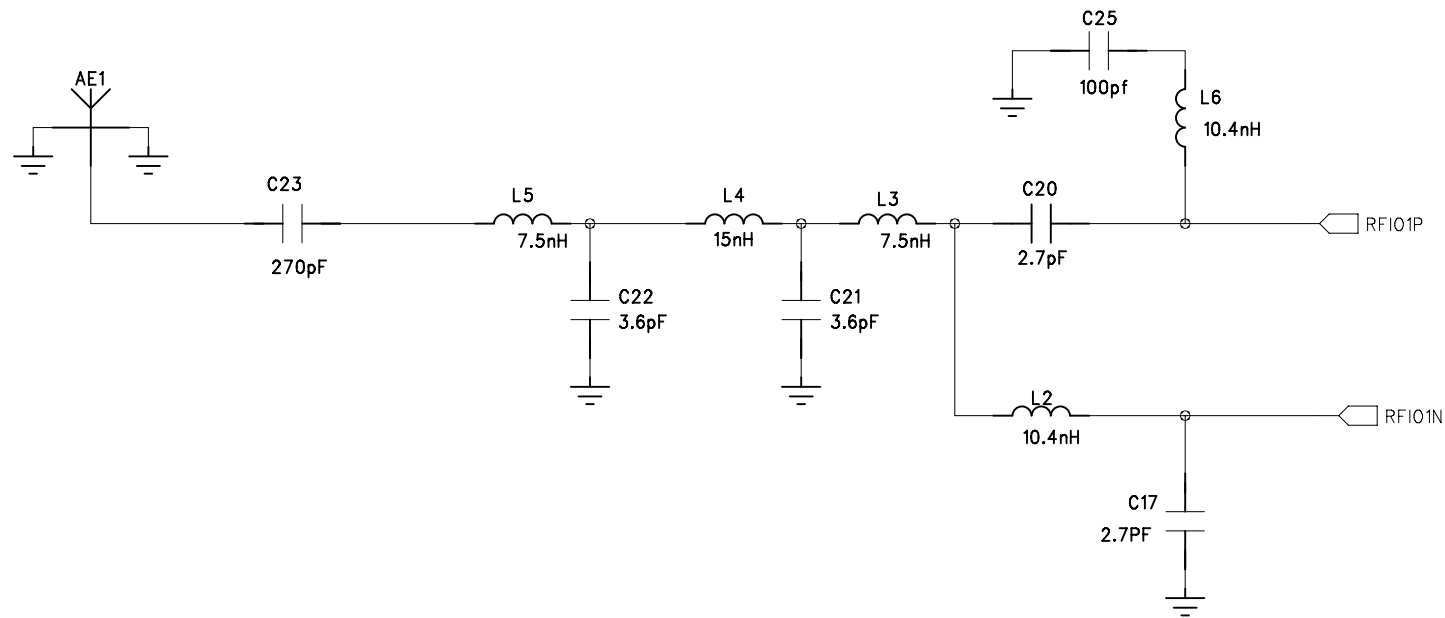
4

3

2

1

REVISION RECORD			
LTR	ECO NO:	APPROVED:	DATE:



D

D

C

C

B

B

A

A

COMPANY: Analog Devices Inc.

TITLE: BUNCH-WSN

DRAWN: Michal Raninec	DATED: MAY 2014	CODE:	SIZE:	DRAWING NO:	REV:
CHECKED: <Checked By>	DATED: <Checked Date>	<Code>	A3	BUNCH-WSN	A
QUALITY CONTROL: <QC By>	DATED: <QC Date>	SCALE: <Scale>		SHEET: 3 OF 4	
RELEASED: <Released By>	DATED: <Release Date>				

6

5

4

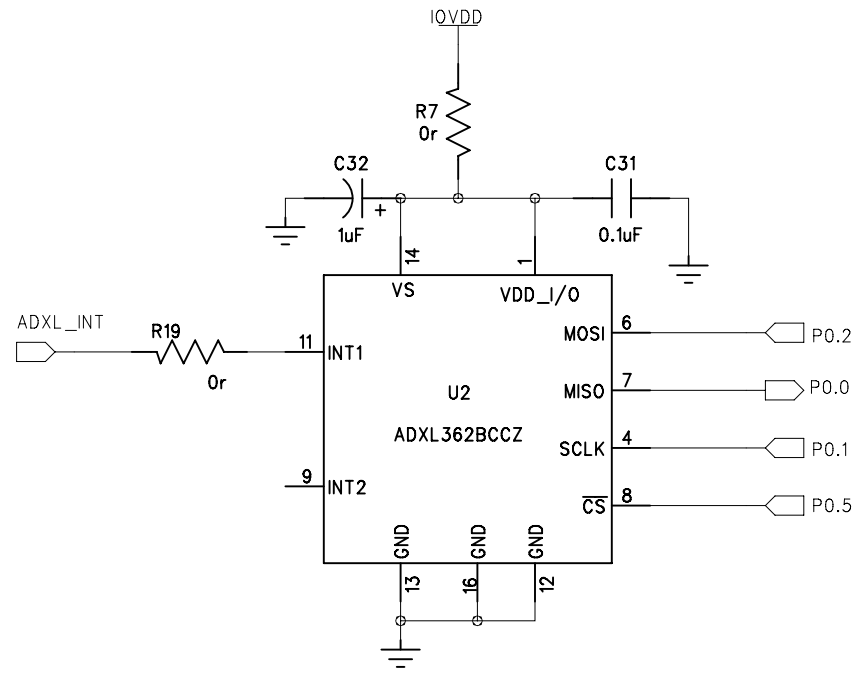
3

2

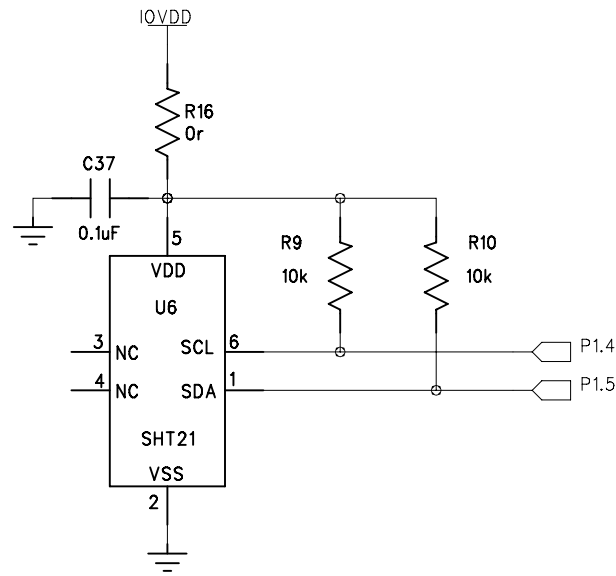
1

REVISION RECORD			
LTR	ECO NO:	APPROVED:	DATE:

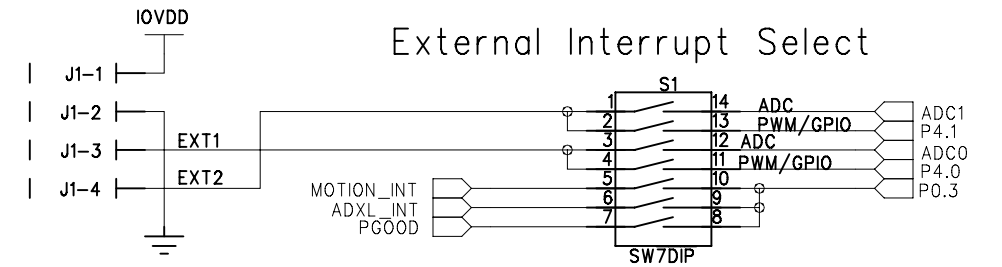
Micropower 3 Axis MEMS Accelerometer



SHT21 HUMIDITY & TEMP SENSOR

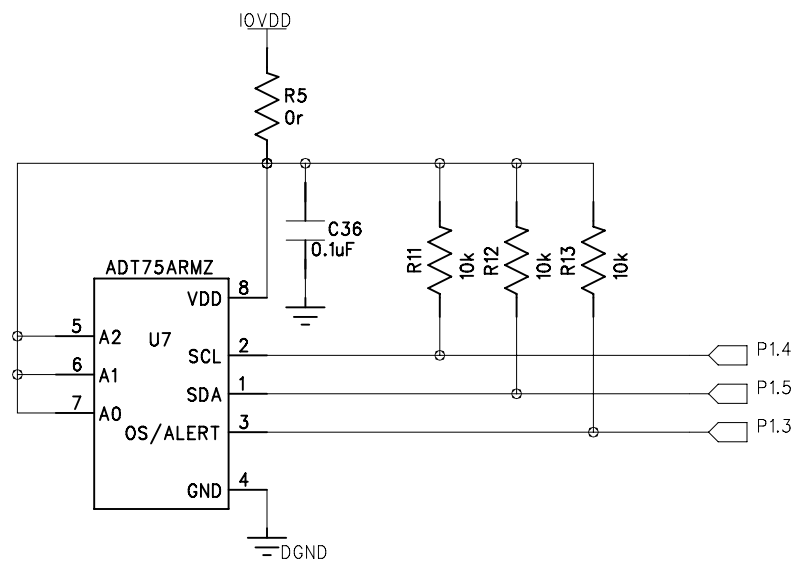


Pin Extension Connector

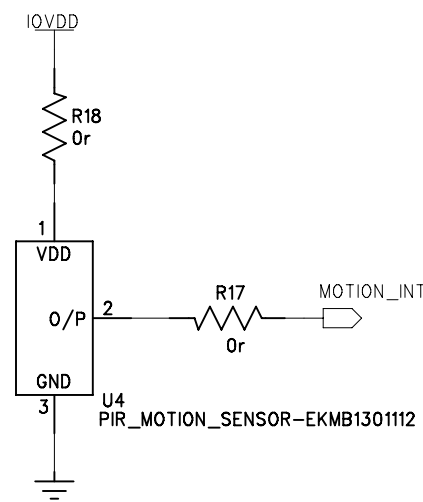


External Interrupt Select

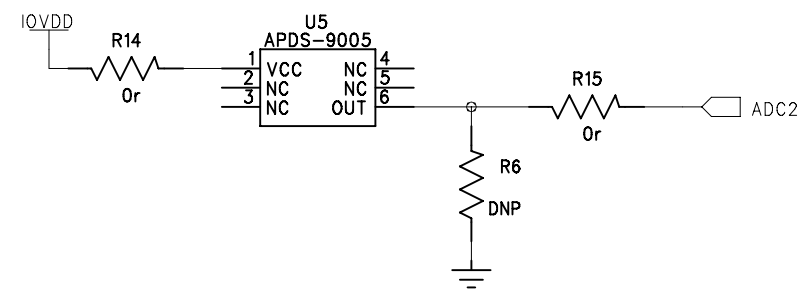
±1°C Accurate 12-Bit Temperature Sensor



MOTION SENSOR



Miniature Ambient Light Photo Sensor



COMPANY:				Analog Devices Inc.			
TITLE:				BUNCH-WSN			
DRAWN:	DATED:	CODE:	SIZE:	DRAWING NO:		REV:	
Michal Raninec	MAY 2014	<Code>	A3	BUNCH-WSN		A	
CHECKED:	DATED:	SCALE: <Scale>		SHEET: 4 OF 4			
<Checked By>	<Checked Date>						
QUALITY CONTROL:	DATED:						
<QC By>	<QC Date>						
RELEASED:	DATED:						
<Released By>	<Release Date>						

D

D

C

C

B

B

A

A