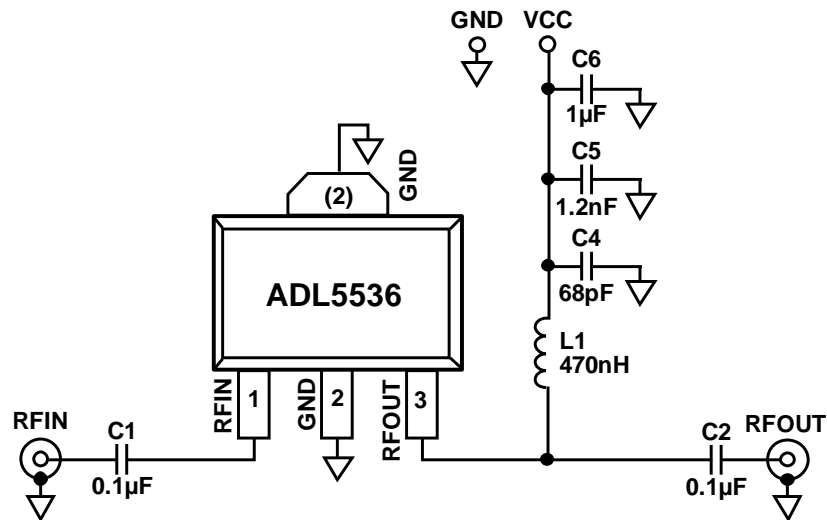
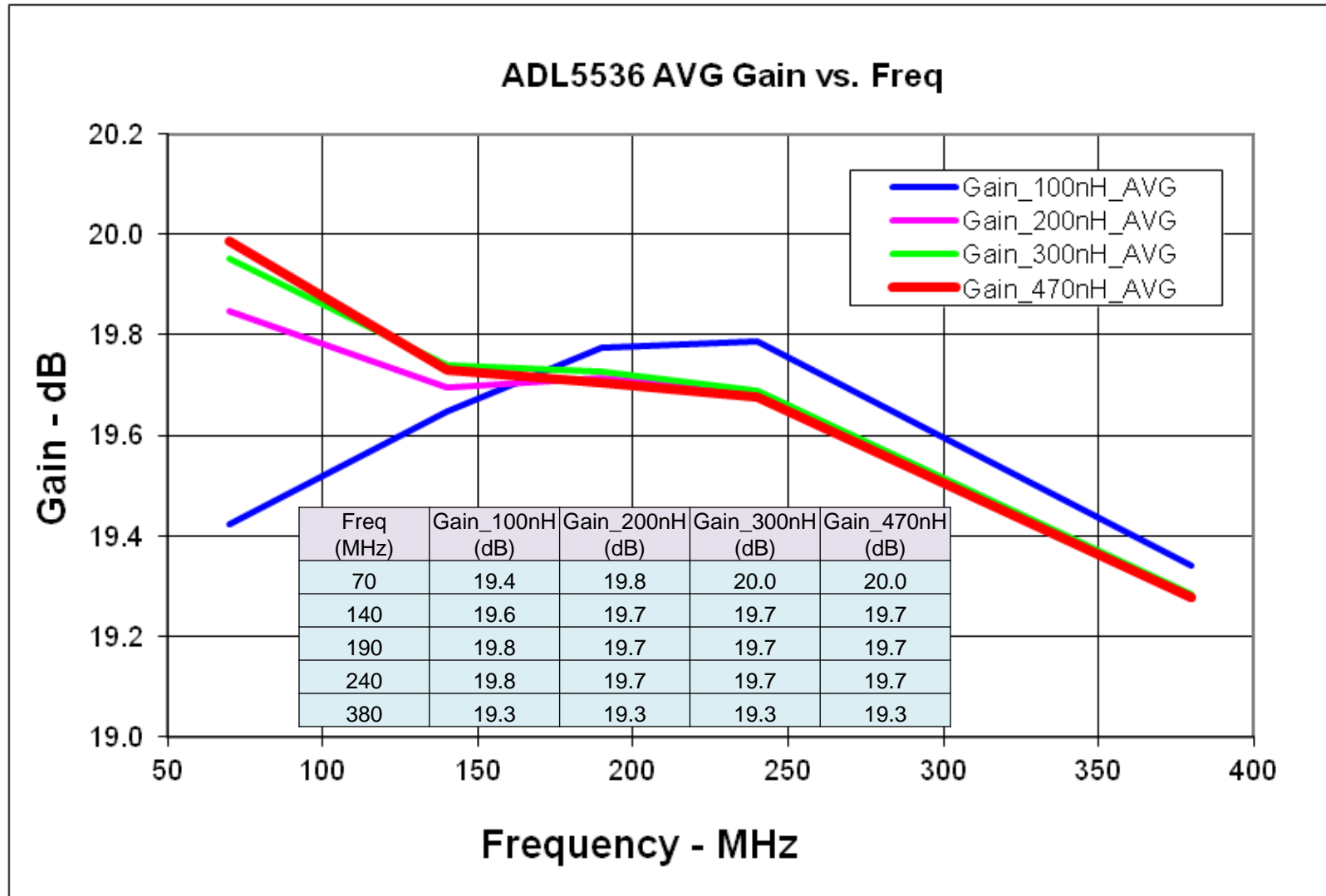


ADL5536

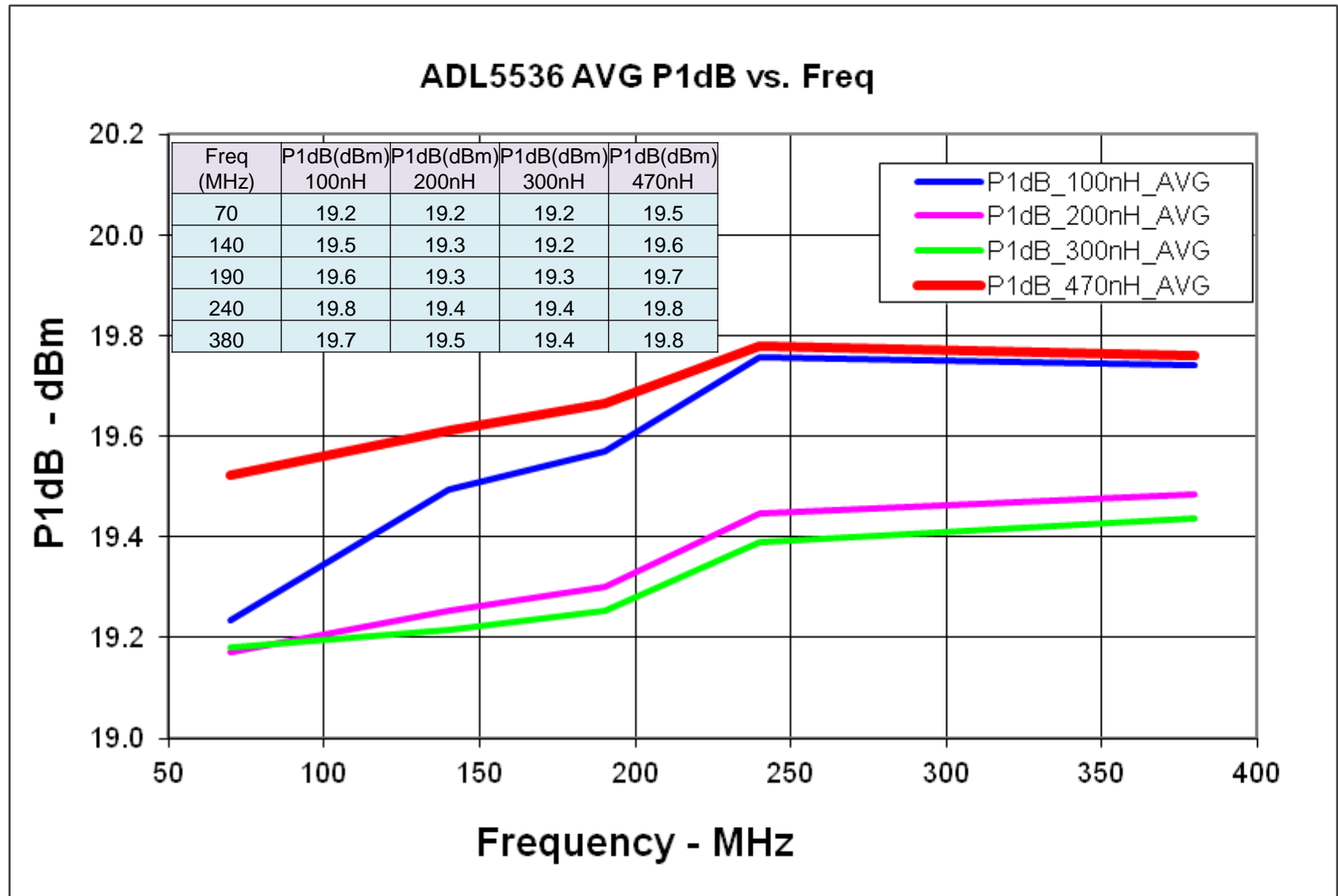
- Case 1: $L1=100\text{nH}$
- Case 2: $L1=200\text{nH}$
- Case 3: $L1=300\text{nH}$
- Default: $L1=470\text{nH}$ (value suggested on datasheet)



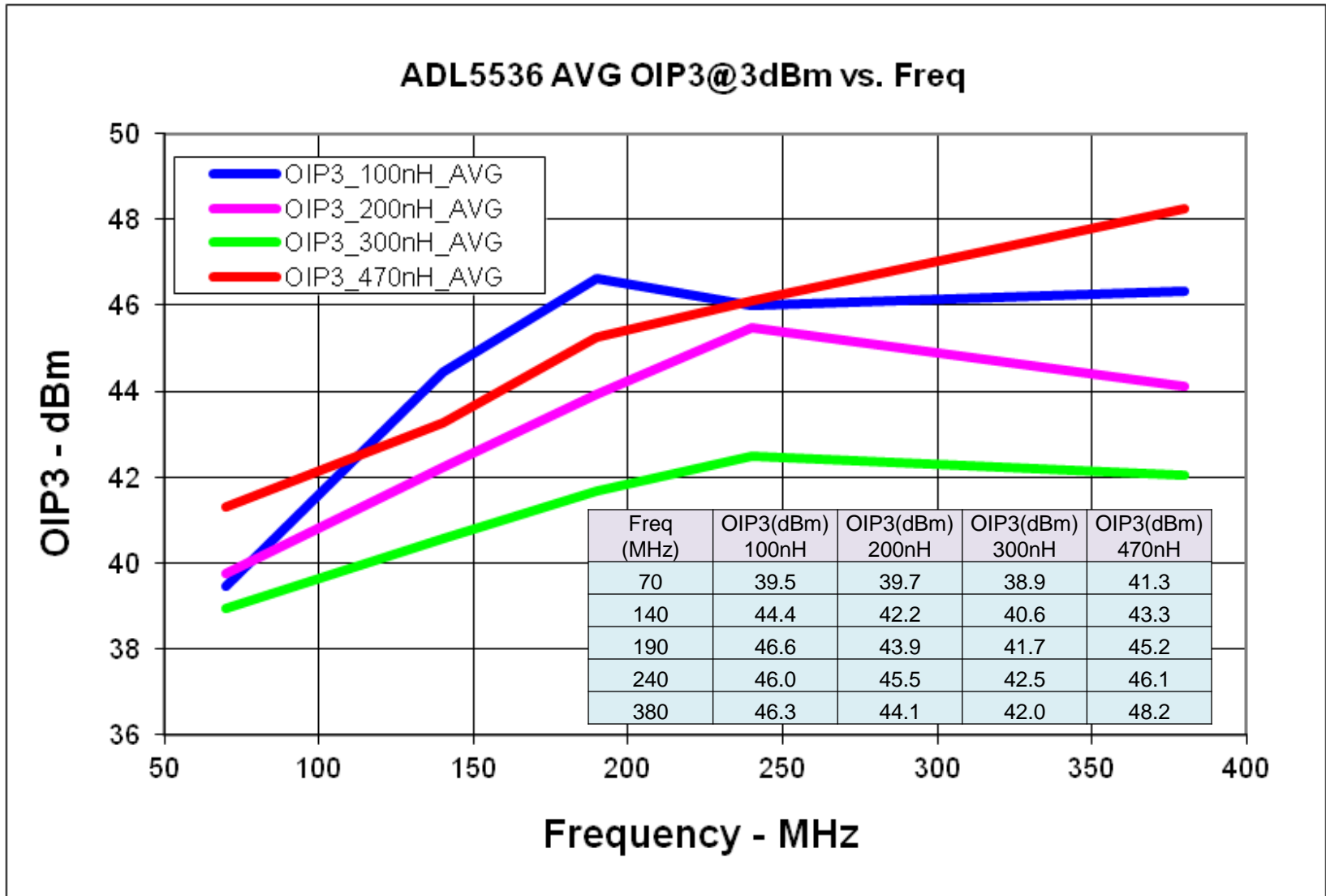
Comparison: Average Gain vs. Frequency



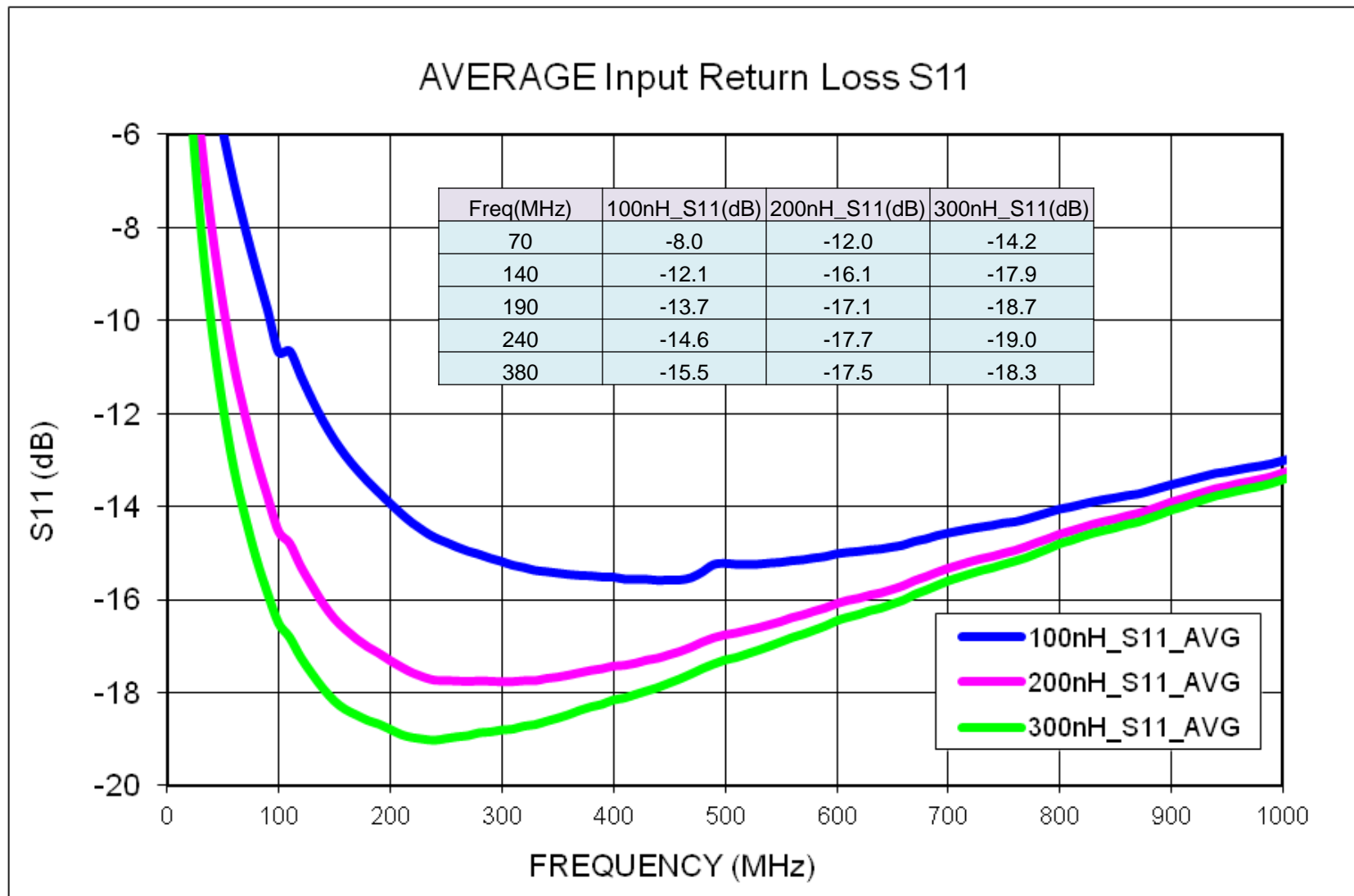
Comparison: Average P1dB vs. Frequency



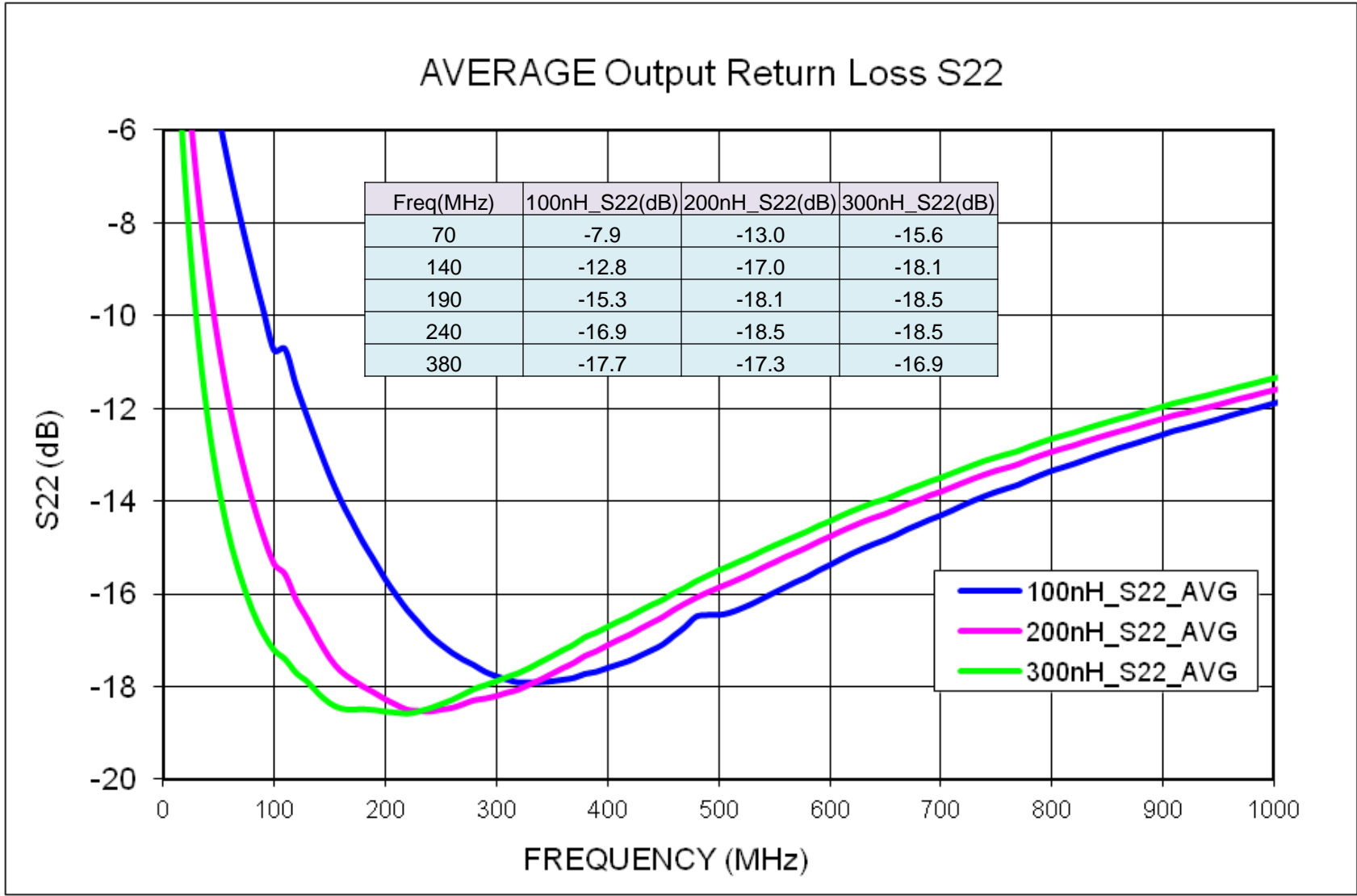
Comparison: Average OIP3@3dBm vs. Frequency



Comparison: Average Input Return Loss



Comparison: Average Output Return Loss



Comparison: Noise Figure vs. Frequency

