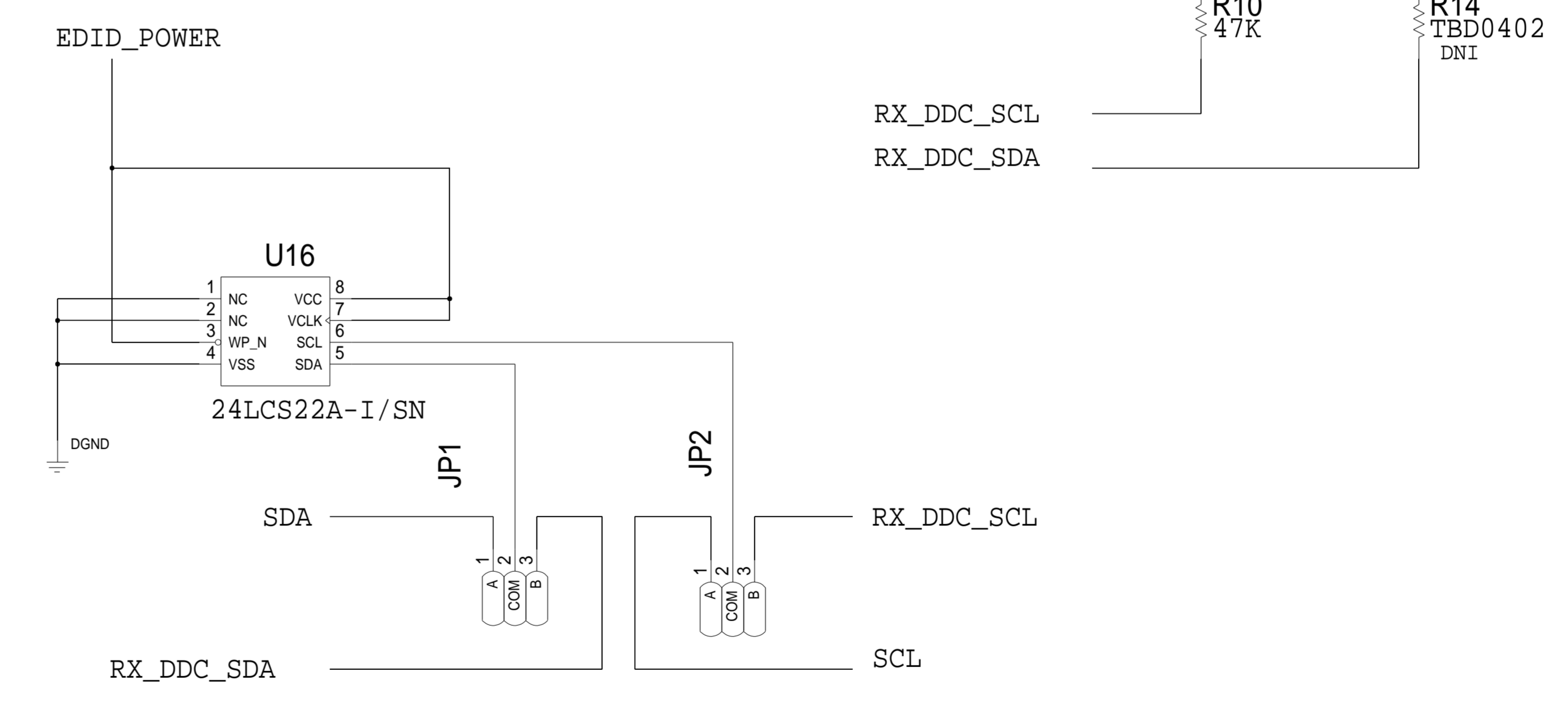
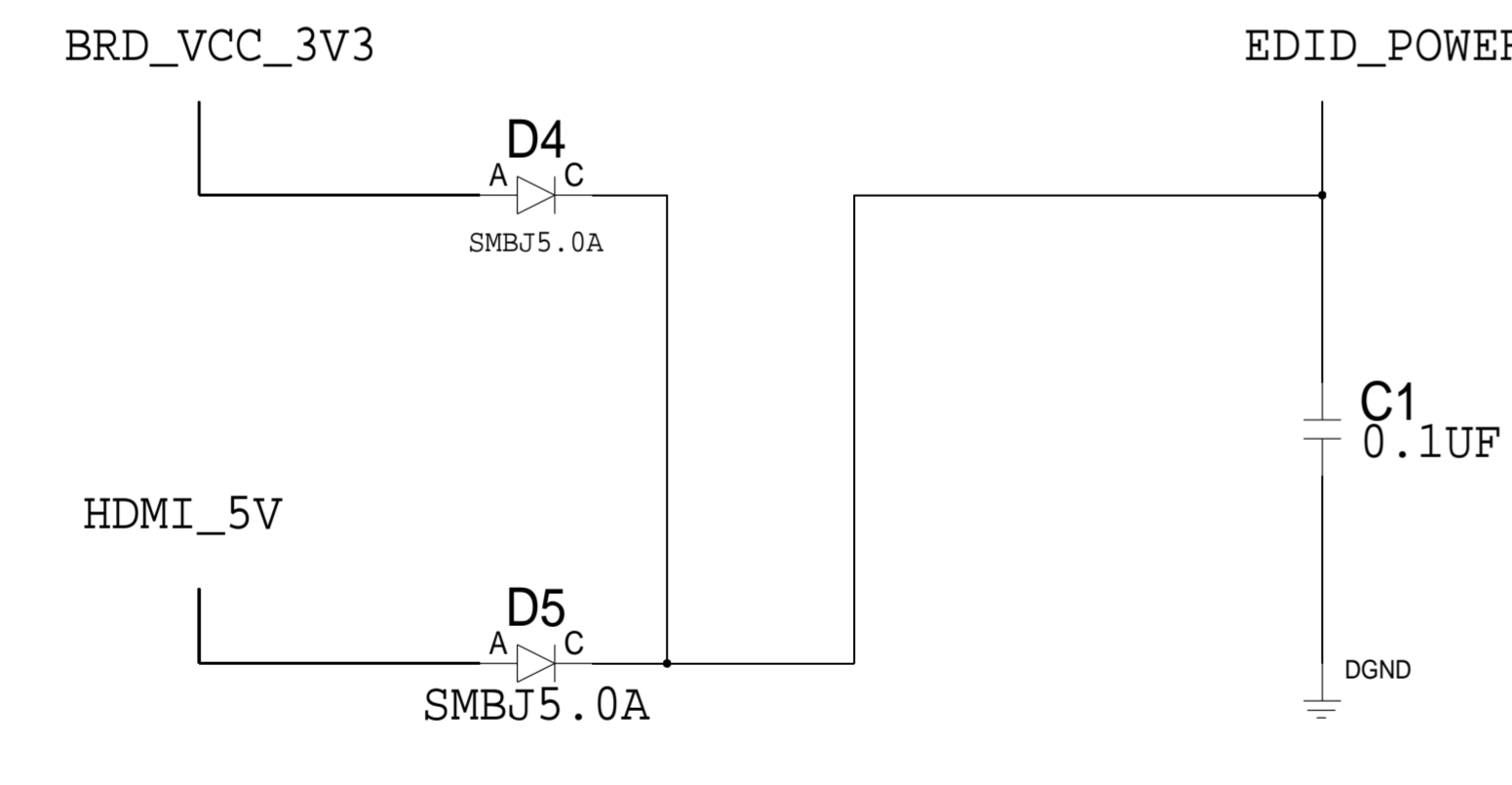
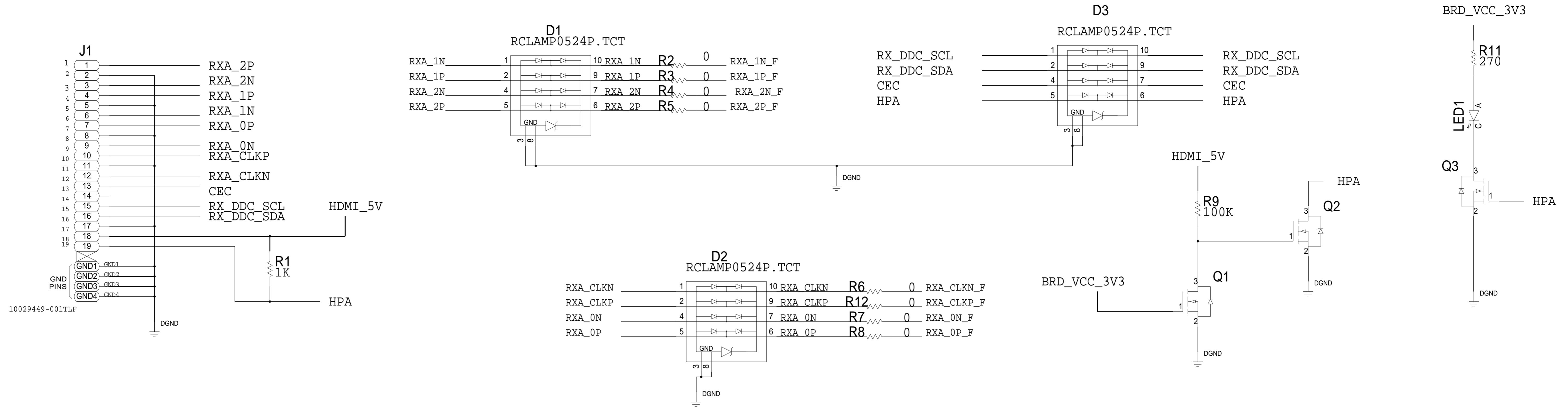


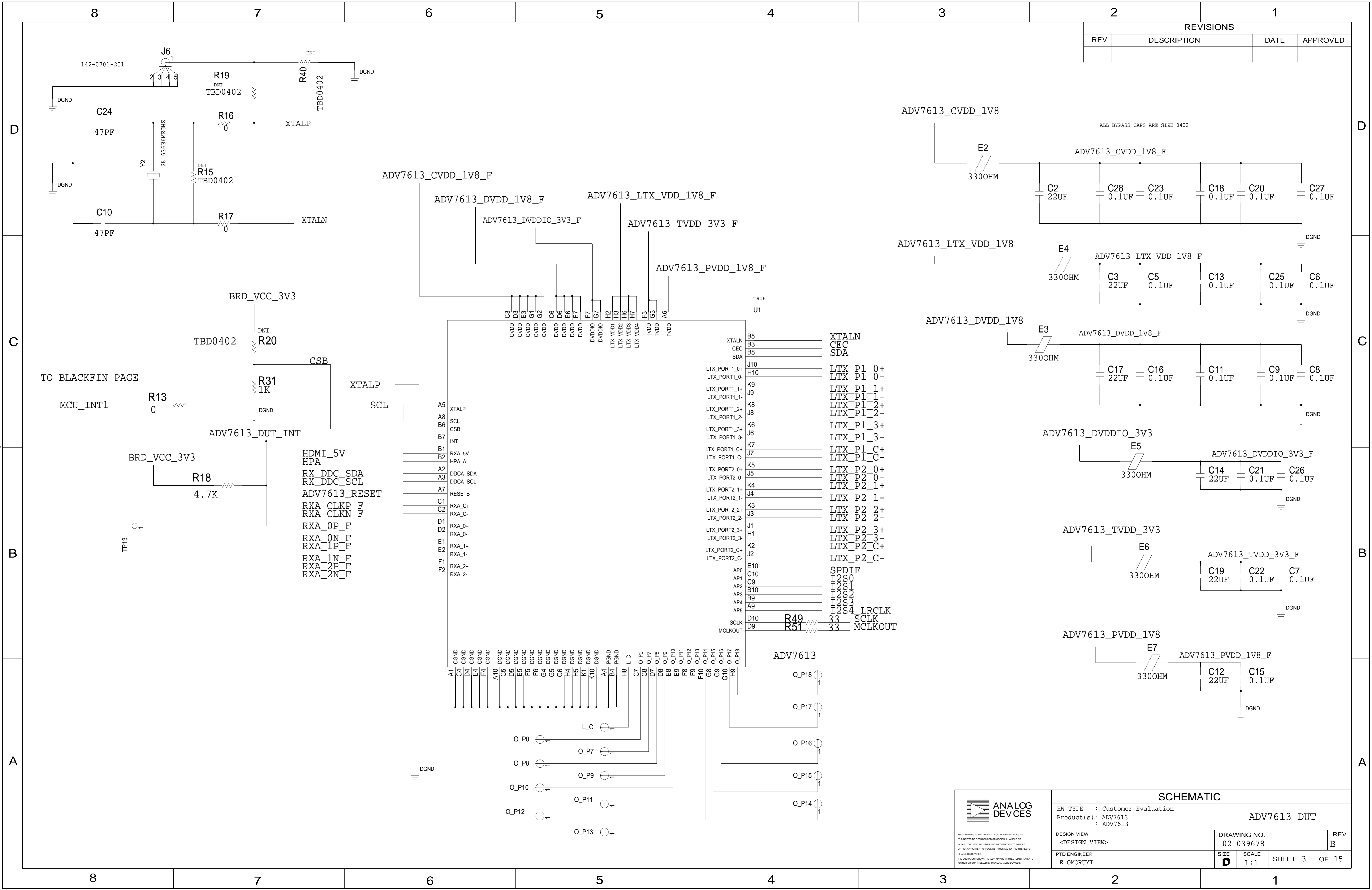


REVISIONS			
REV	DESCRIPTION	DATE	APPROVED



	<b>SCHEMATIC</b>		
	HW TYPE : Customer Evaluation		HDMI
	Product(s): ADV7613		
	Product(s): ADV7613		
DESIGN VIEW <DESIGN_VIEW>	DRAWING NO. 02_039678	REV B	
PTD ENGINEER E OMORUYI	SIZE D	SCALE 1:1	SHEET 2 OF 15

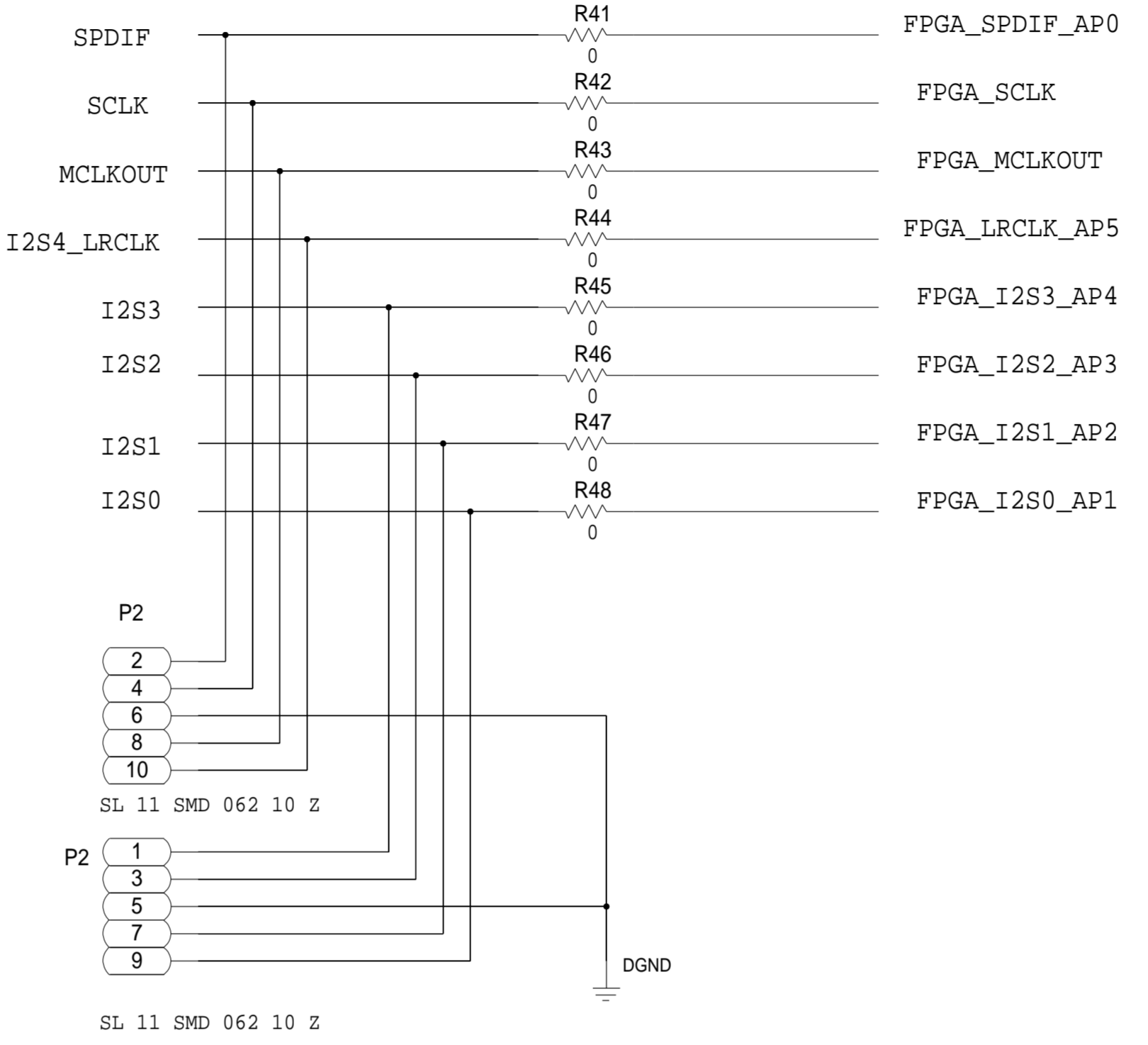
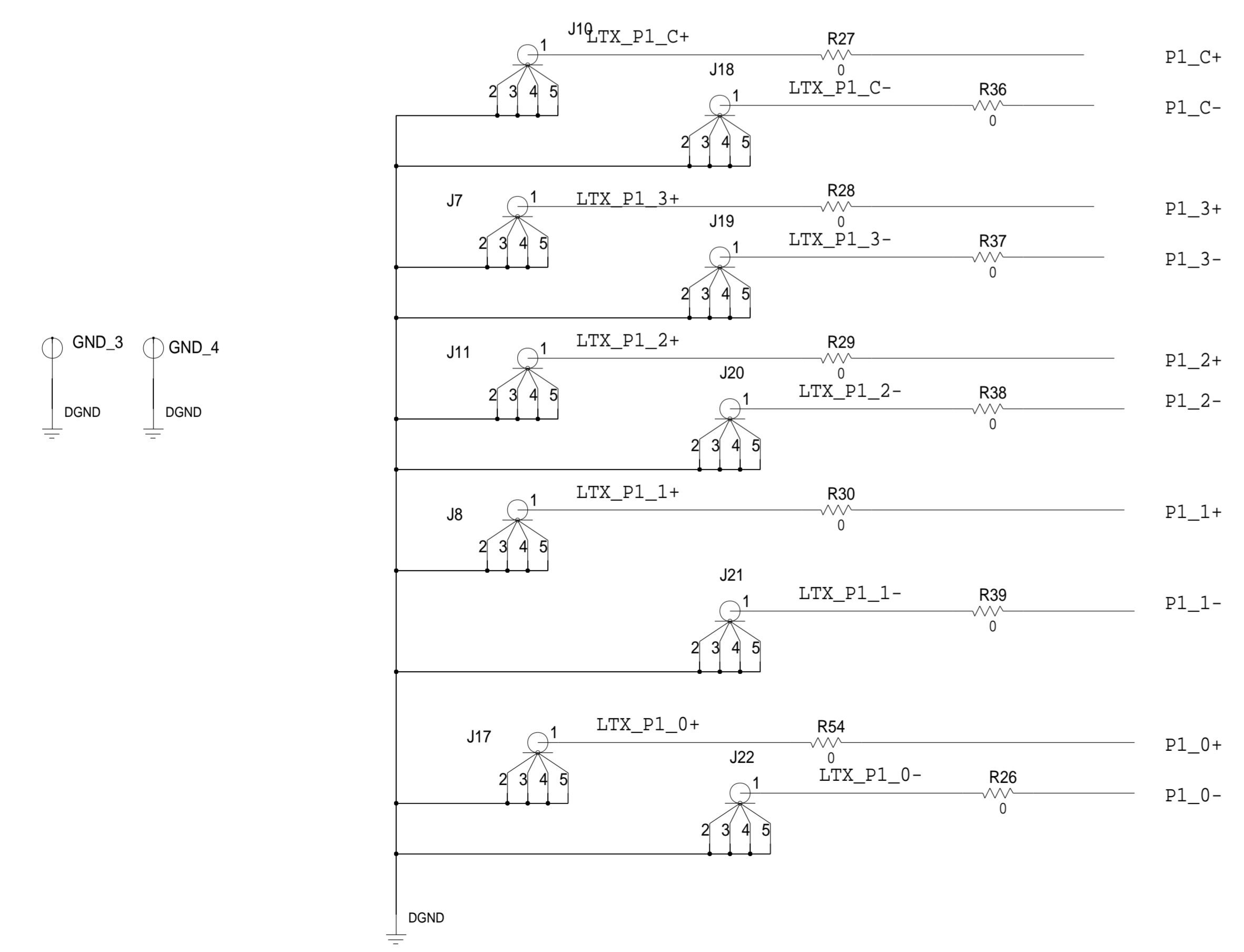
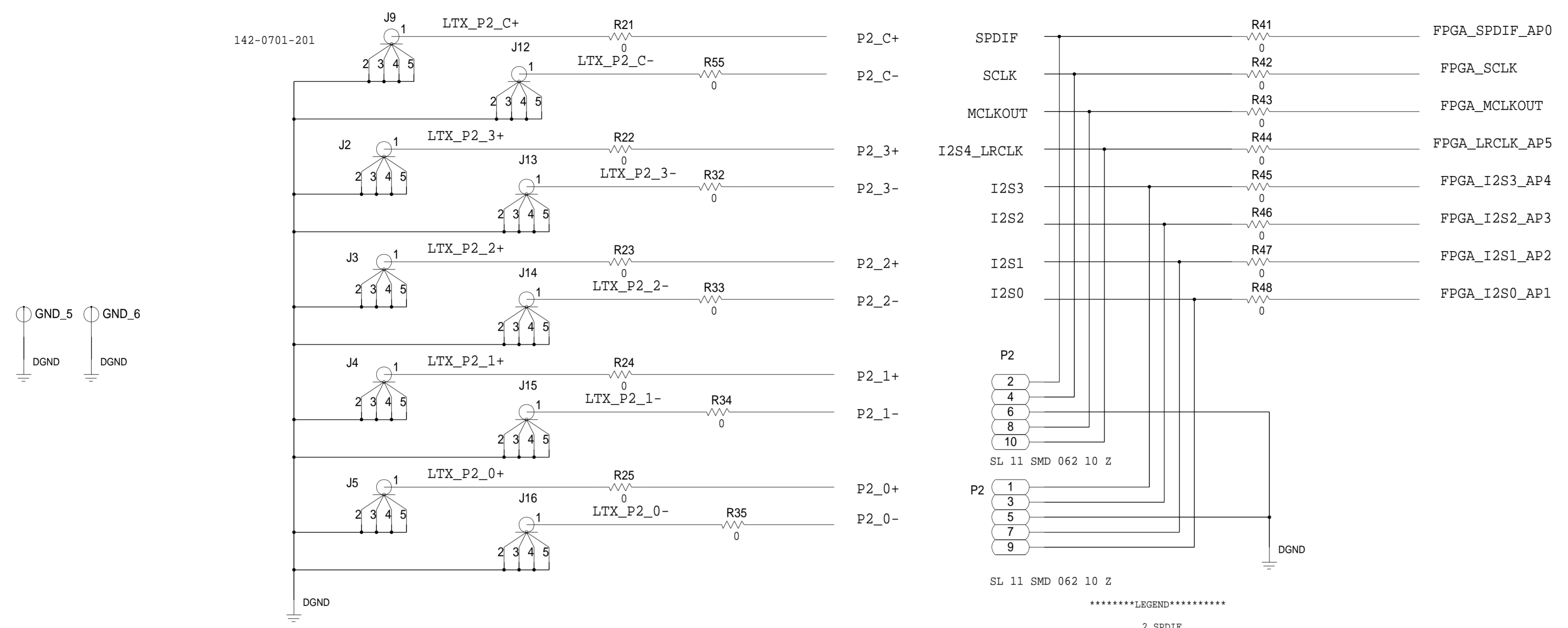
REVISIONS			
REV	DESCRIPTION	DATE	APPROVED



	<b>SCHEMATIC</b>		
	HW TYPE : Customer Evaluation		ADV7613_DUT
	Product(s) : ADV7613		ADV7613
	Product(s) : ADV7613		ADV7613
DESIGN VIEW <DESIGN_VIEW>	DRAWING NO. 02_039678	REV B	
PTD ENGINEER E OMORUYI	SIZE D	SCALE 1:1	SHEET 3 OF 15

REVISIONS			
REV	DESCRIPTION	DATE	APPROVED

ALL DIFFERENTIAL LINES MUST BE THE SAME LENGTH [MATCHING LENGTHS]  
 REMOVE SERIES RESISTORS WHEN USING SMA CONNECTORS  
 REMOVE SERIES RESISTORS WHEN USING SMA CONNECTORS



- \*\*\*\*\*LEGEND\*\*\*\*\*
- 2 SPDIF
  - 4 SCLK
  - 6 GND
  - 8 MCLKOUT
  - 10 LRCLK\_AP5
  - 1 I2S3
  - 3 I2S2
  - 5 GND
  - 7 I2S1
  - 9 I2S0

	<b>SCHEMATIC</b>		
	HW TYPE : Customer Evaluation		SMA_CONNECTORS
	Product(s): ADV7613		ADV7613
	Product(s): ADV7613		ADV7613
DESIGN VIEW <DESIGN_VIEW>	DRAWING NO. 02_039678	REV B	
PTD ENGINEER E OMORUYI	SIZE D	SCALE 1:1	SHEET 4 OF 15

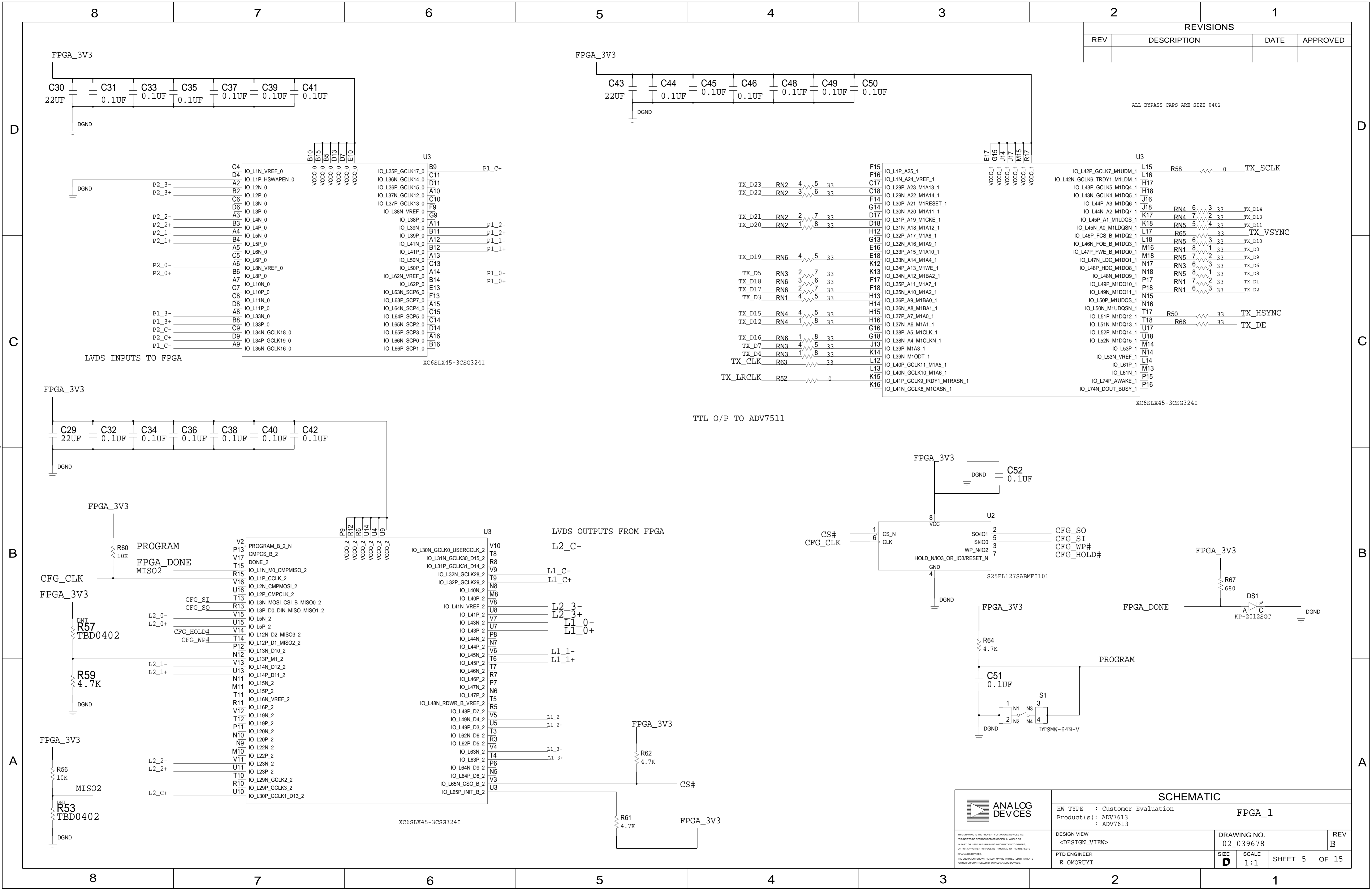
8 7 6 5 4 3 2 1

8 7 6 5 4 3 2 1

D  
C  
B  
A

D  
C  
B  
A

REVISIONS			
REV	DESCRIPTION	DATE	APPROVED



	<b>SCHEMATIC</b>		
	HW TYPE : Customer Evaluation		FPGA_1
Product(s) : ADV7613			
DESIGN VIEW	DRAWING NO.		REV
<DESIGN_VIEW>	02_039678		B
PTD ENGINEER	SIZE	SCALE	
E OMORUYI	D	1:1	
		SHEET	OF
		5	15

ALL BYPASS CAPS ARE SIZE 0402

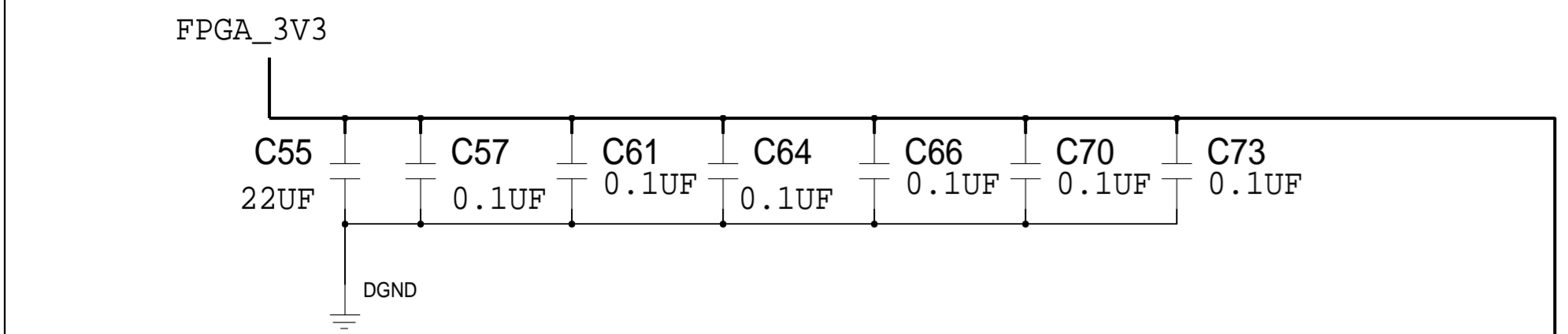
TTL O/P TO ADV7511

XC6SLX45-3CSG3241

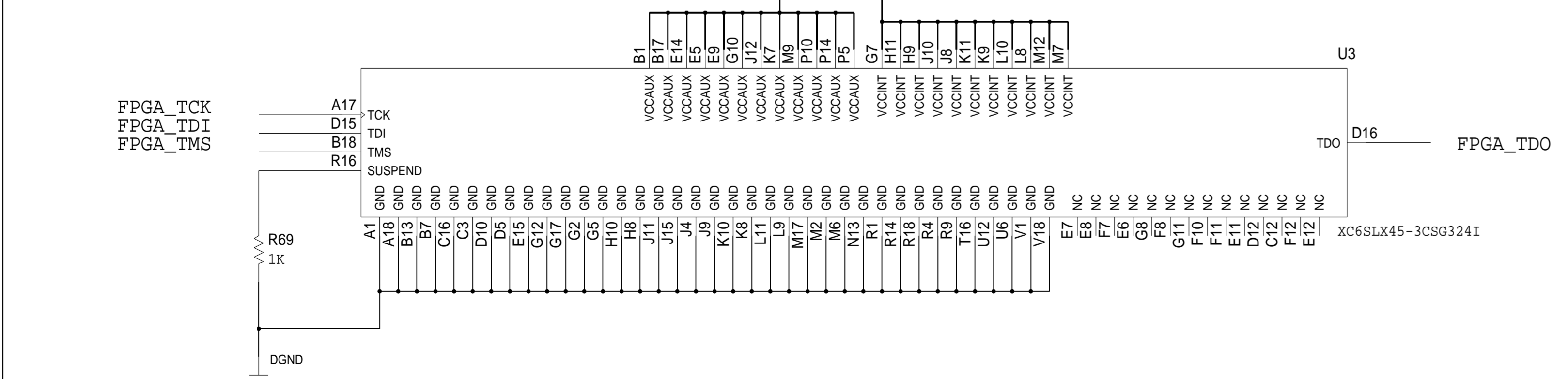
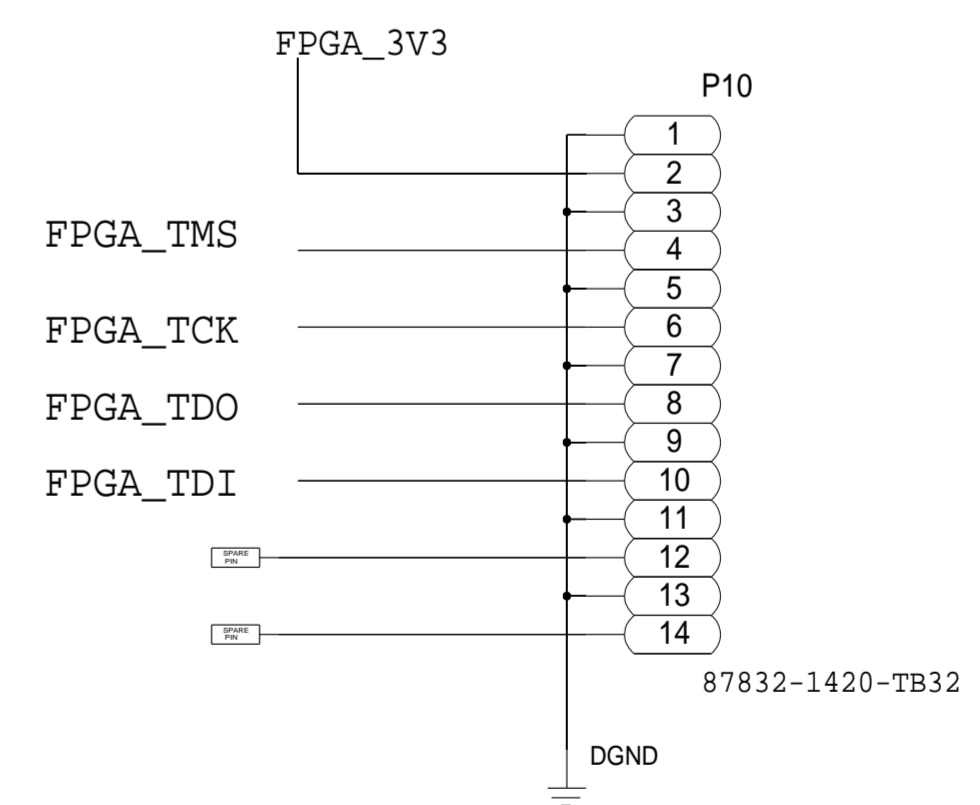
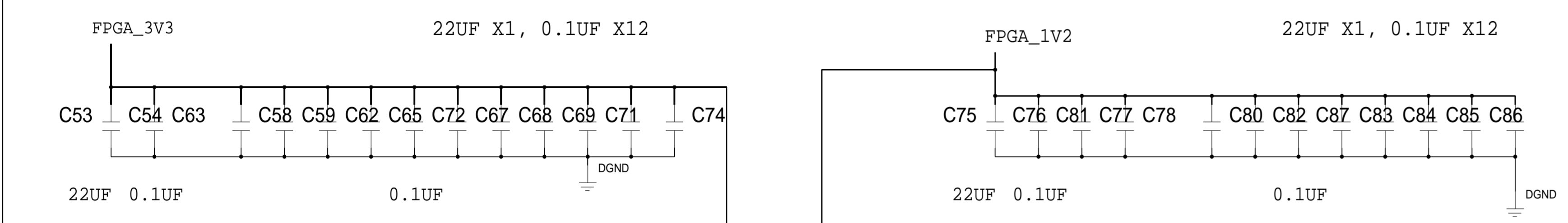
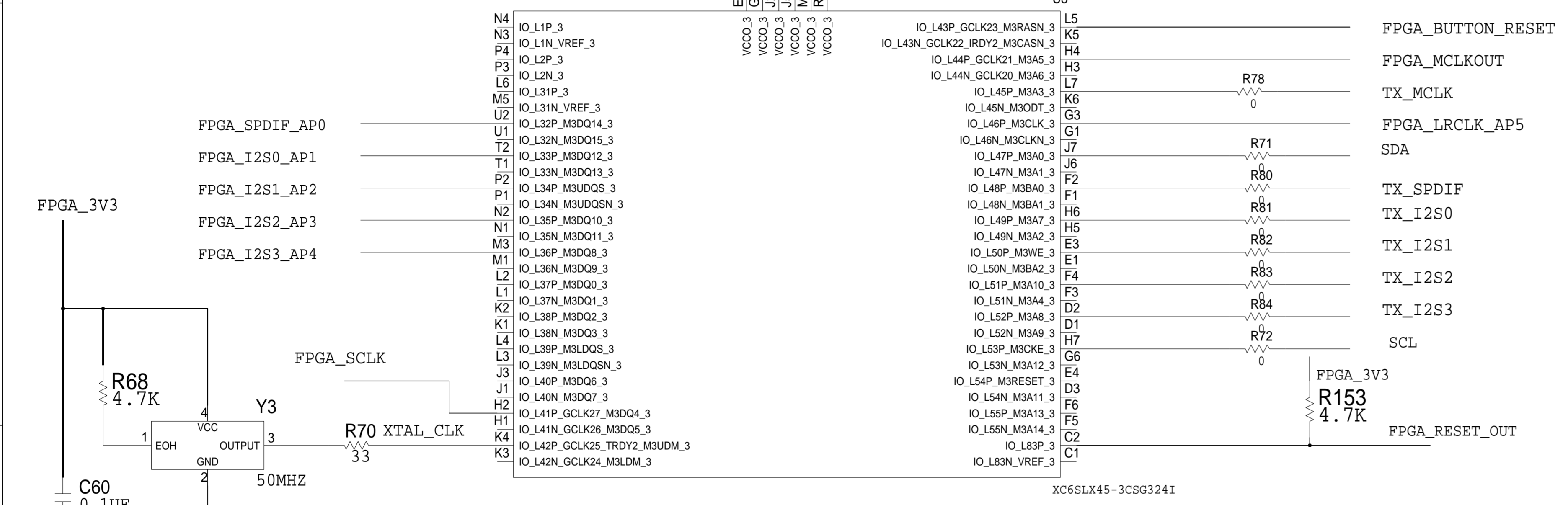
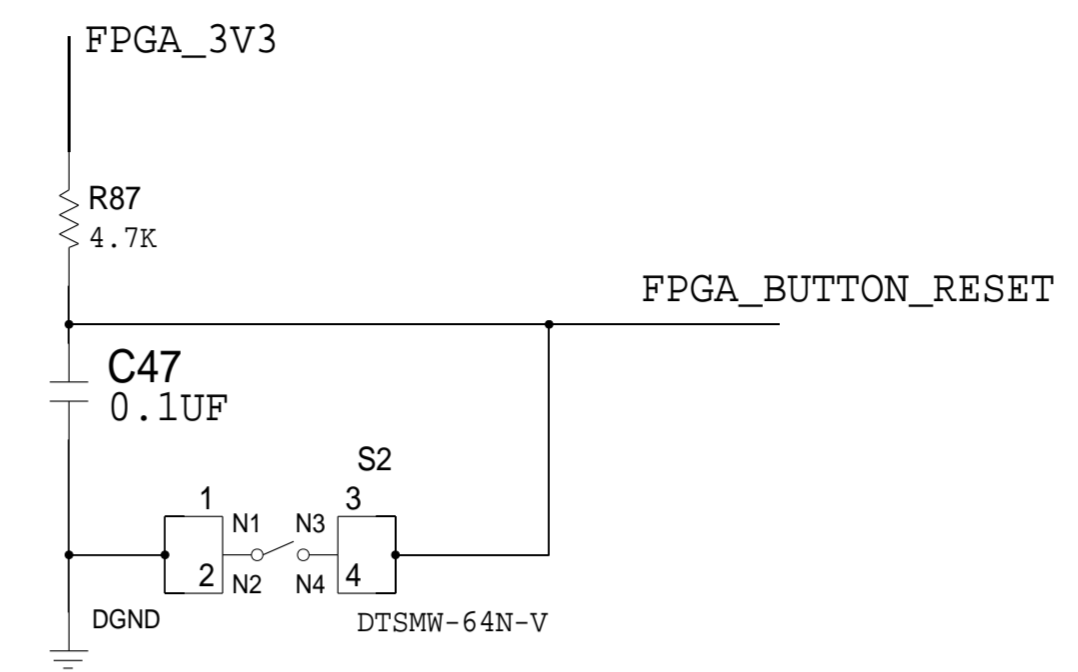
XC6SLX45-3CSG3241

XC6SLX45-3CSG3241

REVISIONS			
REV	DESCRIPTION	DATE	APPROVED

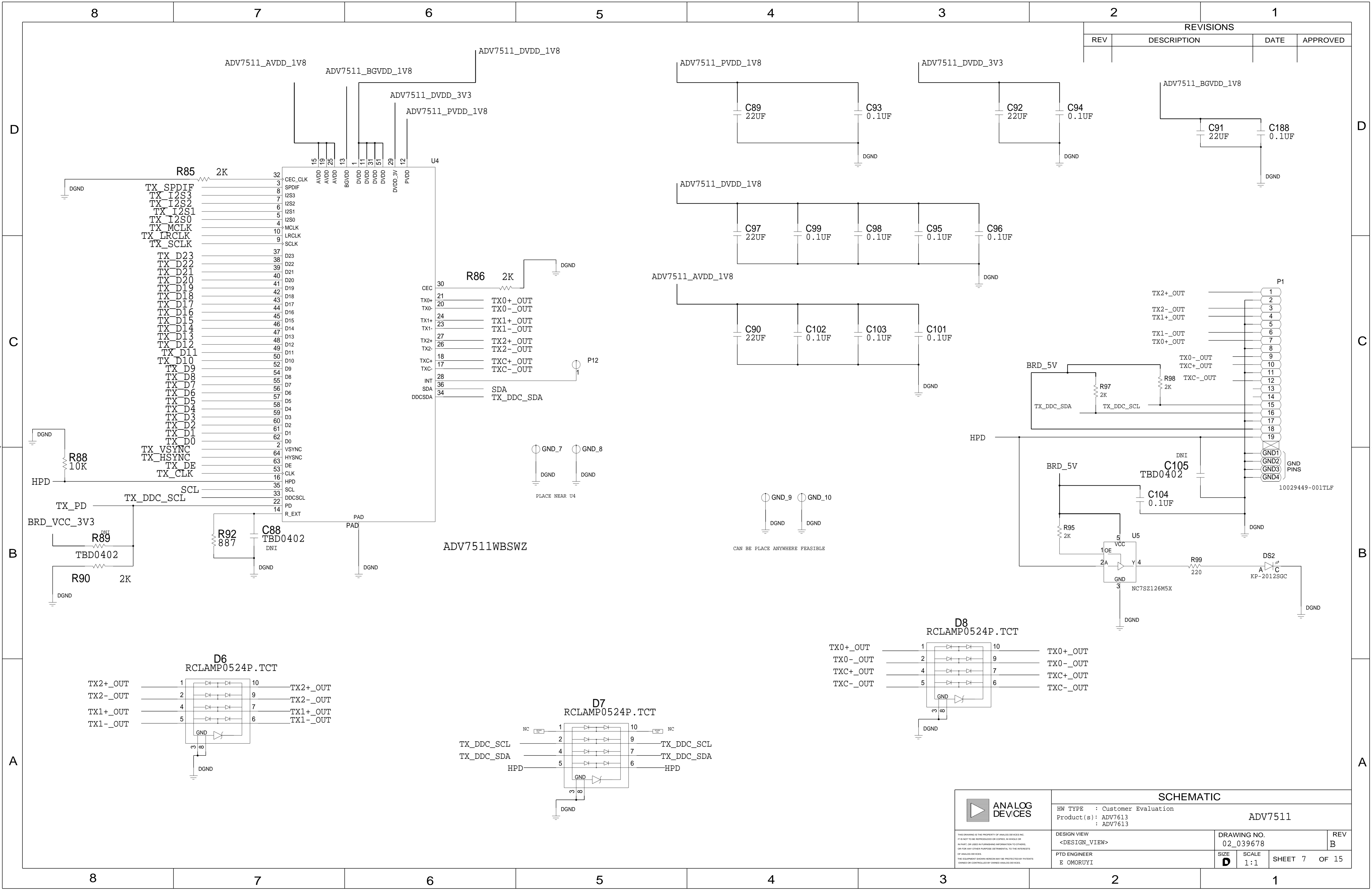


ALL BYPASS CAPS ARE SIZE 0402



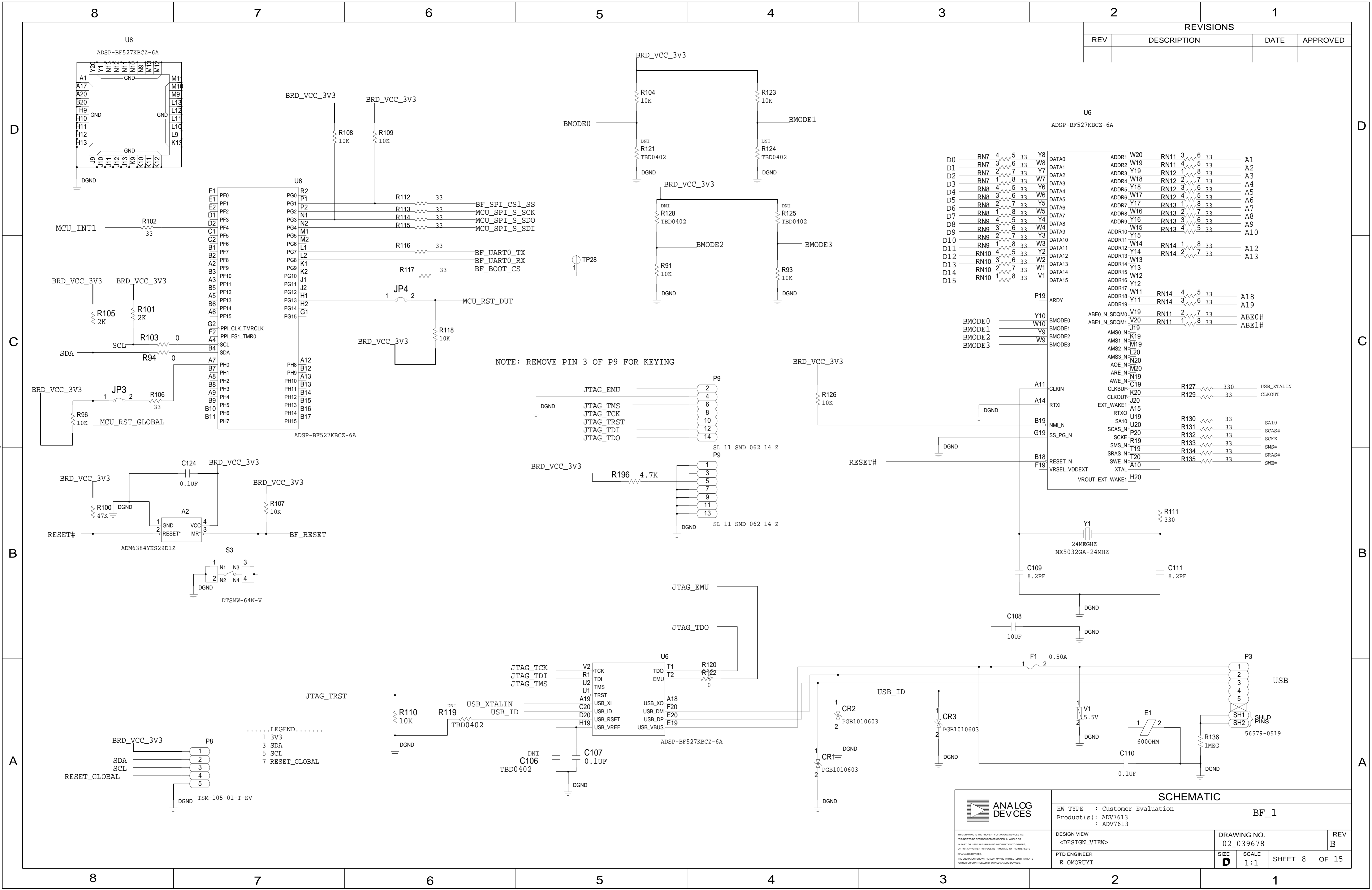
SCHEMATIC			
HW TYPE : Customer Evaluation		FPGA_2	
Product(s) : ADV7613		ADV7613	
DESIGN VIEW <DESIGN_VIEW>	DRAWING NO. 02_039678	REV B	
PTD ENGINEER E OMORUYI	SIZE D	SCALE 1:1	SHEET 6 OF 15

REVISIONS			
REV	DESCRIPTION	DATE	APPROVED



SCHEMATIC			
		HW TYPE : Customer Evaluation Product(s) : ADV7613 : ADV7613	
DESIGN VIEW <DESIGN_VIEW>		DRAWING NO. 02_039678	REV B
PTD ENGINEER E OMORUYI		SIZE D	SCALE 1:1
		SHEET 7 OF 15	

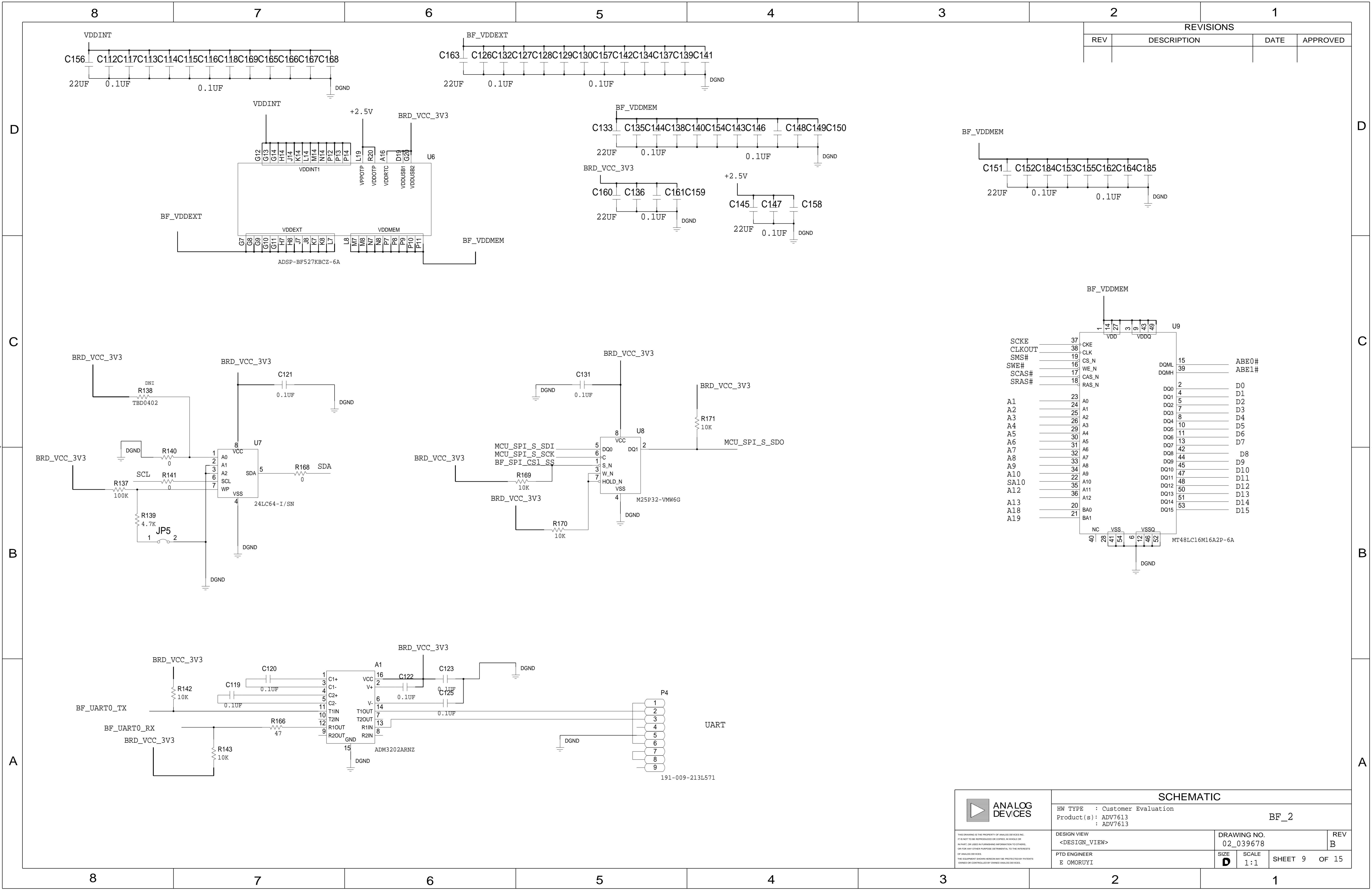
REVISIONS			
REV	DESCRIPTION	DATE	APPROVED



	<b>SCHEMATIC</b>	
	HW TYPE : Customer Evaluation Product(s) : ADV7613 : ADV7613	<b>BF_1</b>
DESIGN VIEW <DESIGN_VIEW>	DRAWING NO. 02_039678	REV B
PTD ENGINEER E OMORUYI	SIZE <b>D</b>	SCALE 1:1
SHEET 8 OF 15		

THIS DRAWING IS THE PROPERTY OF ANALOG DEVICES INC. IT IS NOT TO BE REPRODUCED OR COPIED, IN WHOLE OR IN PART, OR USED IN ANY MANNER THAT MAY BE DETRIMENTAL TO THE INTERESTS OF ANALOG DEVICES. THE EQUIPMENT SHOWN HEREON MAY BE PROTECTED BY PATENTS OWNED OR CONTROLLED BY ANALOG DEVICES.



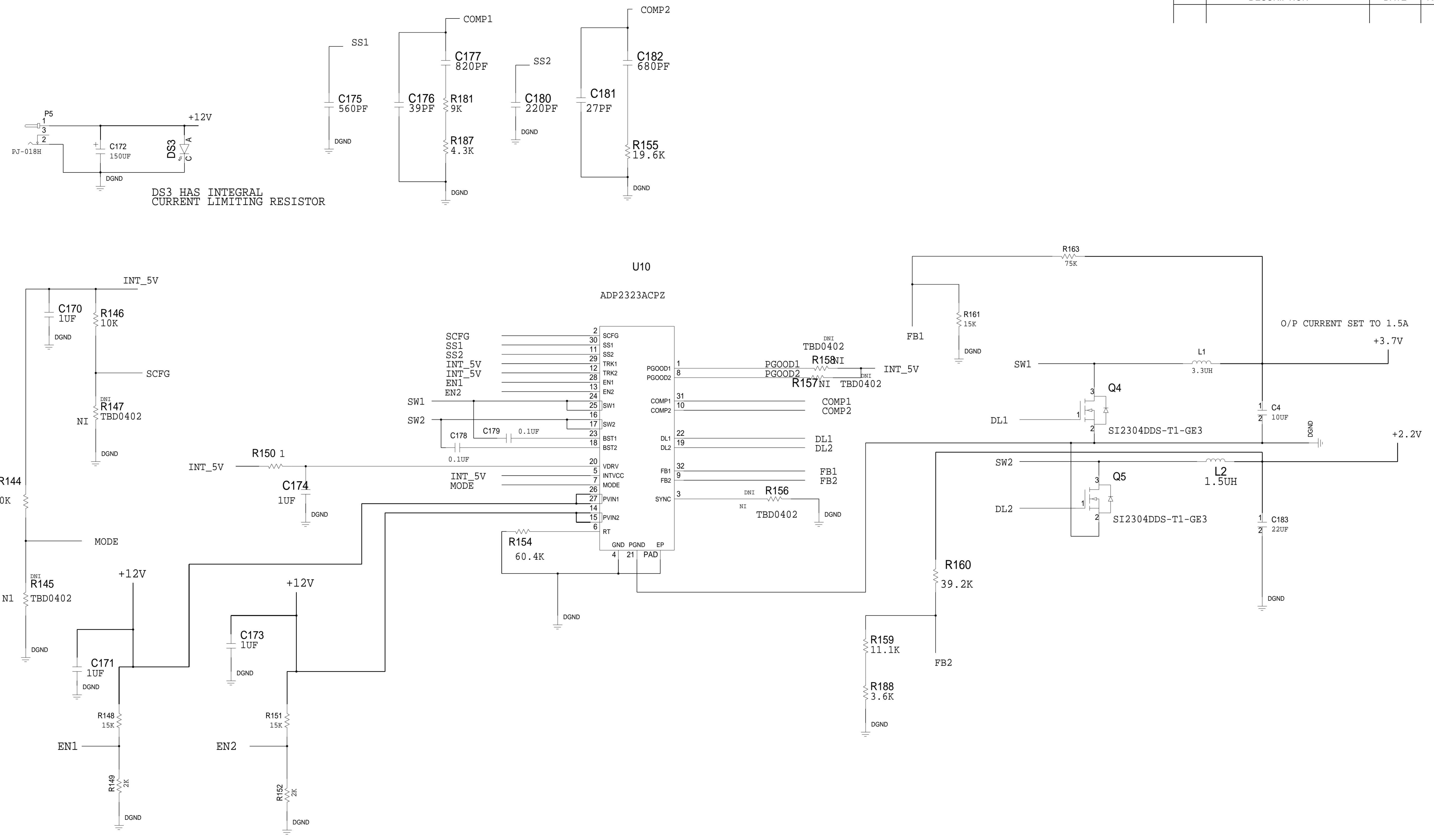


REVISIONS			
REV	DESCRIPTION	DATE	APPROVED

SCKE	37	CKE	15	ABE0#
CLKOUT	38	CLK	4	D1
SMS#	19	CS_N	39	ABE1#
SWE#	16	WE_N	2	D0
SCAS#	17	CAS_N	4	D1
SRAS#	18	RAS_N	5	D2
A1	23	A0	7	D3
A2	24	A1	8	D4
A3	25	A2	10	D5
A4	26	A3	11	D6
A5	29	A4	13	D7
A6	30	A5	42	D8
A7	31	A6	44	D9
A8	32	A7	45	D10
A9	33	A8	47	D11
A10	34	A9	48	D12
SA10	22	A10	50	D13
A12	35	A11	51	D14
A13	36	A12	53	D15
A18	20	BA0		
A19	21	BA1		

	<b>SCHEMATIC</b>		
	HW TYPE : Customer Evaluation		BF_2
	Product(s): ADV7613		REV B
	Product(s): ADV7613		REV B
DESIGN VIEW <DESIGN_VIEW>	DRAWING NO. 02_039678	REV B	
PTD ENGINEER E OMORUYI	SIZE D	SCALE 1:1	SHEET 9 OF 15

REVISIONS			
REV	DESCRIPTION	DATE	APPROVED



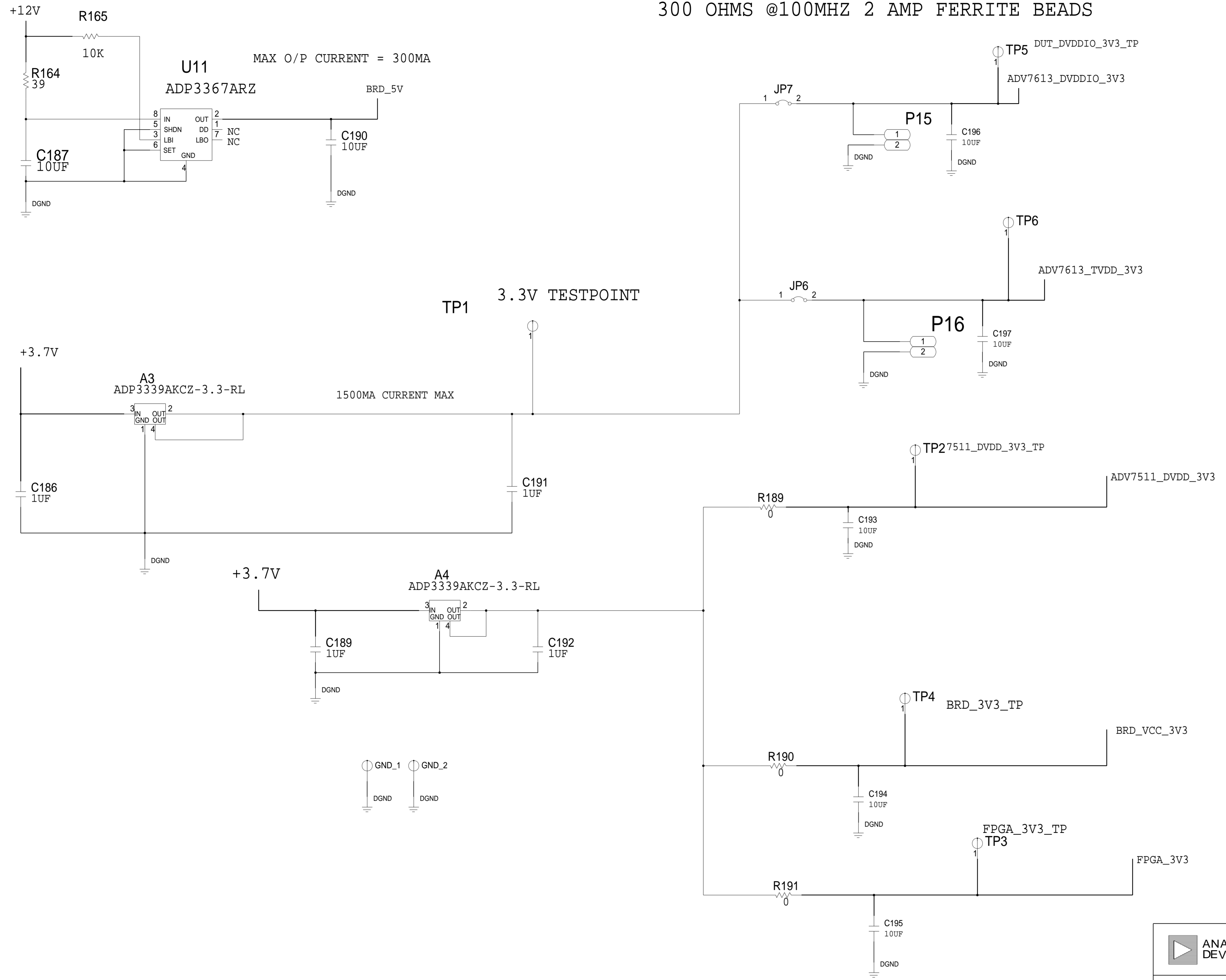
DS3 HAS INTEGRAL CURRENT LIMITING RESISTOR

O/P CURRENT SET TO 1.5A

	<b>SCHEMATIC</b>		
	HW TYPE : Customer Evaluation		POWER SECTION
	Product(s) : ADV7613		
	: ADV7613		
DESIGN VIEW <DESIGN_VIEW>	DRAWING NO. 02_039678	REV B	
PTD ENGINEER E OMORUYI	SIZE D	SCALE 1:1	SHEET 10 OF 15

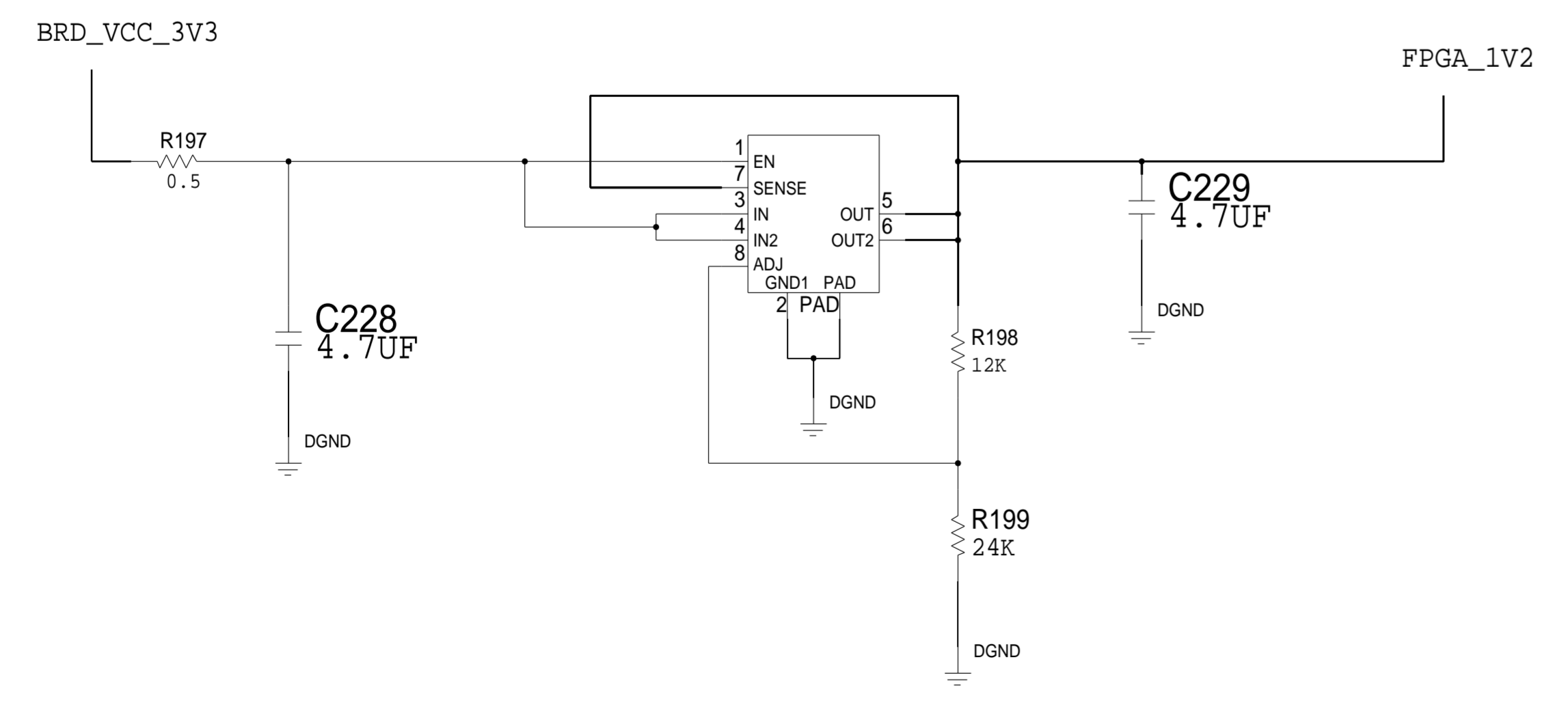
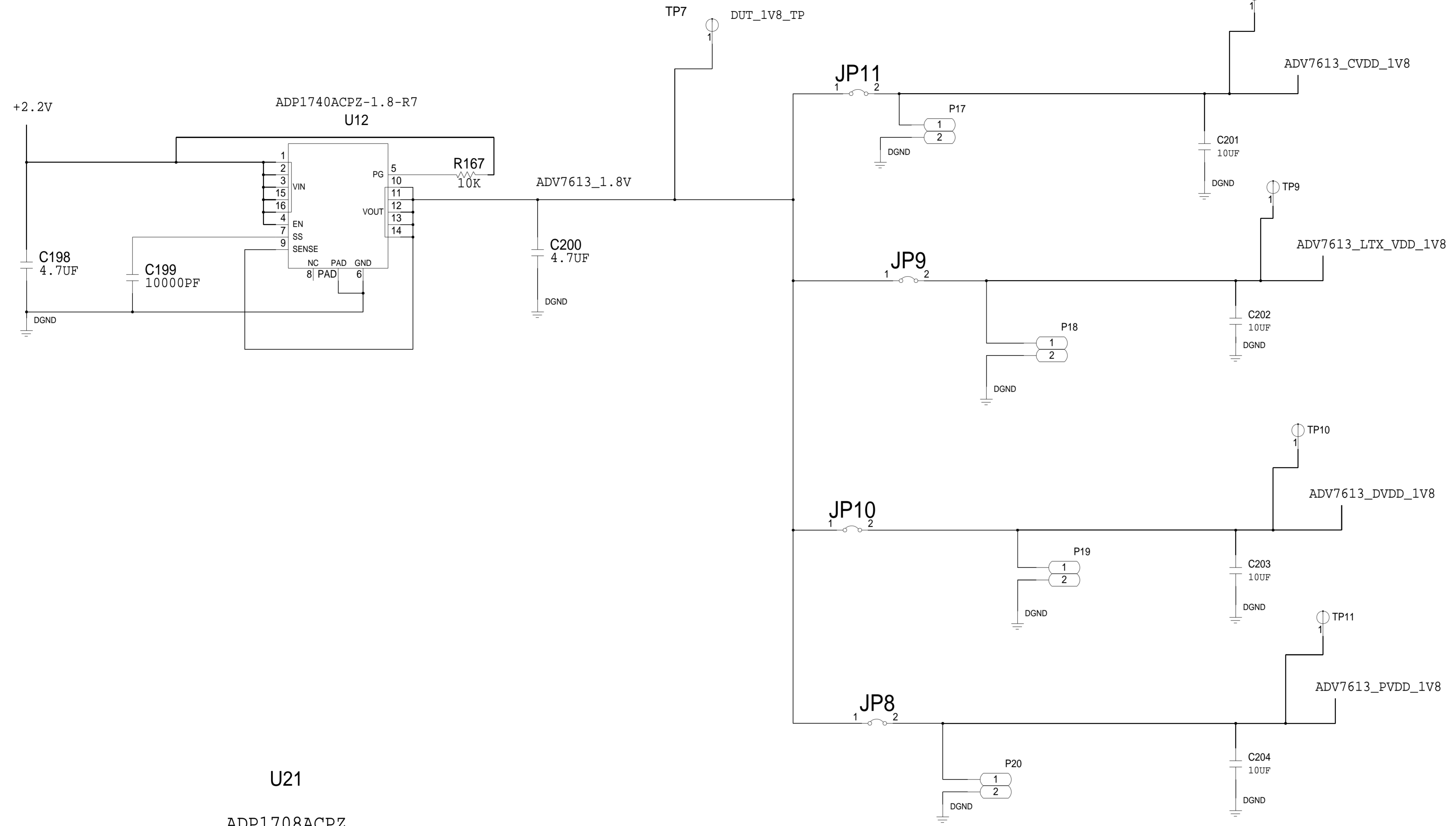
REVISIONS			
REV	DESCRIPTION	DATE	APPROVED

300 OHMS @100MHZ 2 AMP FERRITE BEADS



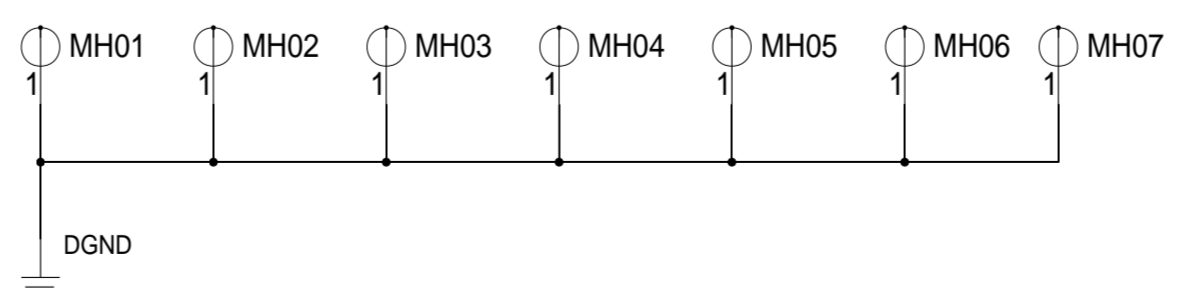
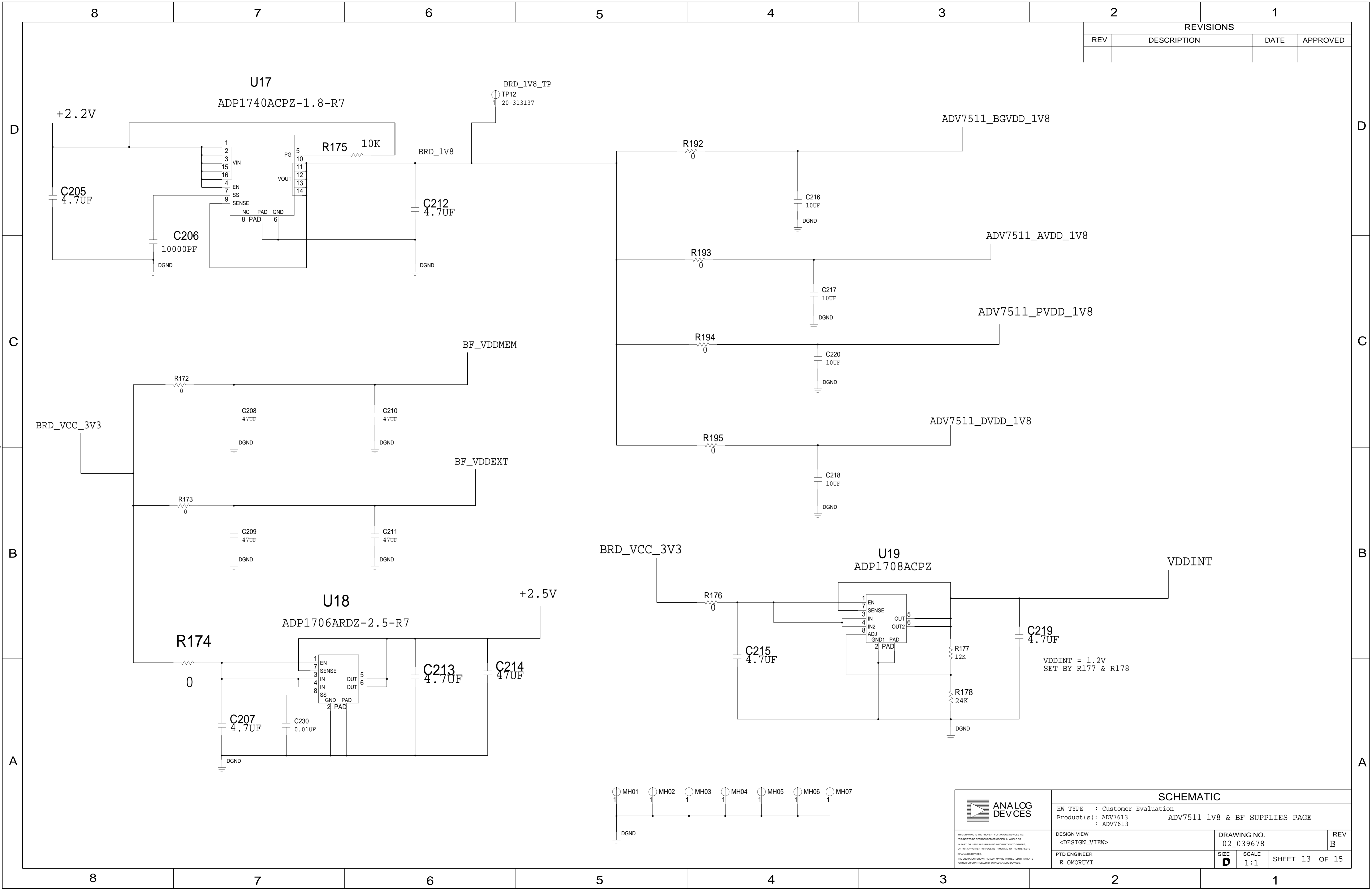
	<b>SCHEMATIC</b>		
	HW TYPE : Customer Evaluation		5V AND 3V3 PAGE
	Product(s) : ADV7613		REV B
	Product(s) : ADV7613		DRAWING NO. 02_039678
DESIGN VIEW <DESIGN_VIEW>	PTD ENGINEER E OMORUYI	SIZE D	SCALE 1:1
		SHEET 11	OF 15

REVISIONS			
REV	DESCRIPTION	DATE	APPROVED



	<b>SCHEMATIC</b>		
	HW TYPE : Customer Evaluation		ADV613_1V8 PAGE
	Product(s) : ADV7613		: ADV7613
	DESIGN VIEW <DESIGN_VIEW>	DRAWING NO. 02_039678	REV B
PTD ENGINEER E OMORUYI	SIZE D	SCALE 1:1	SHEET 12 OF 15

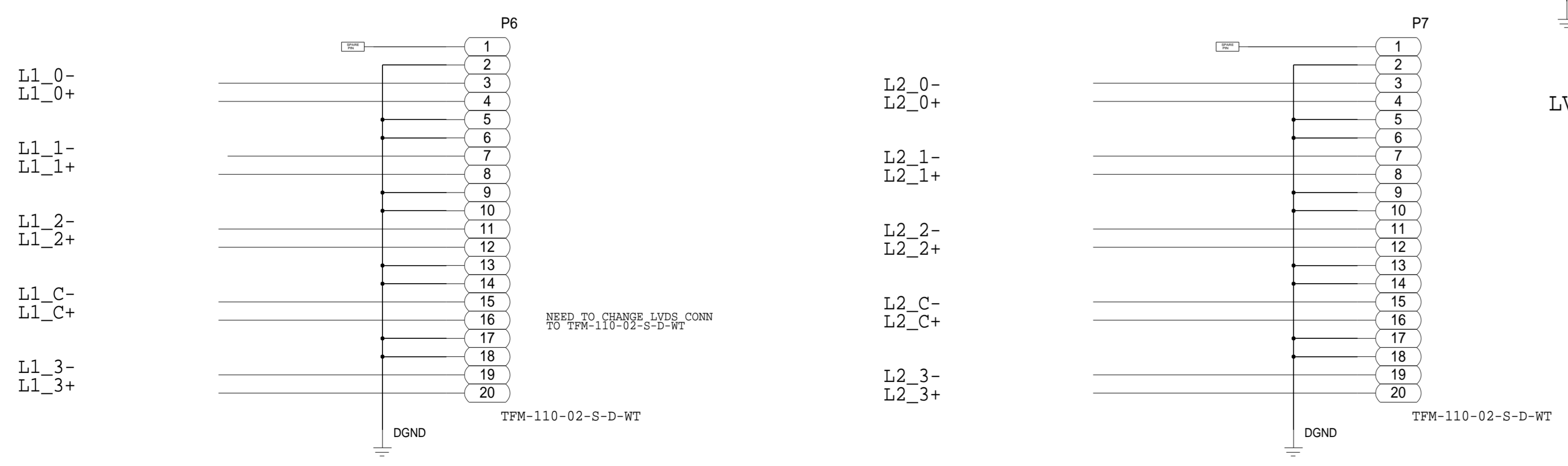
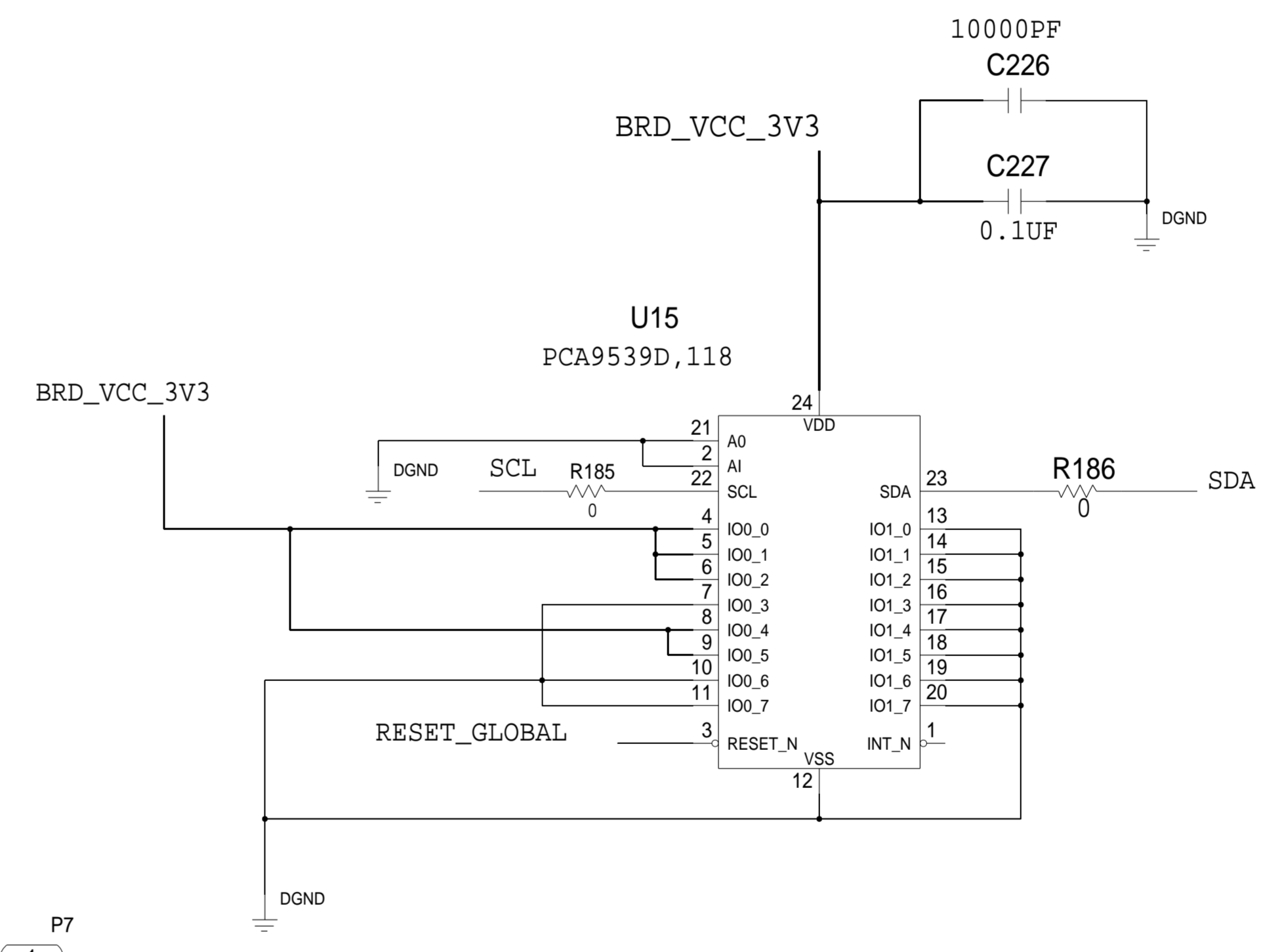
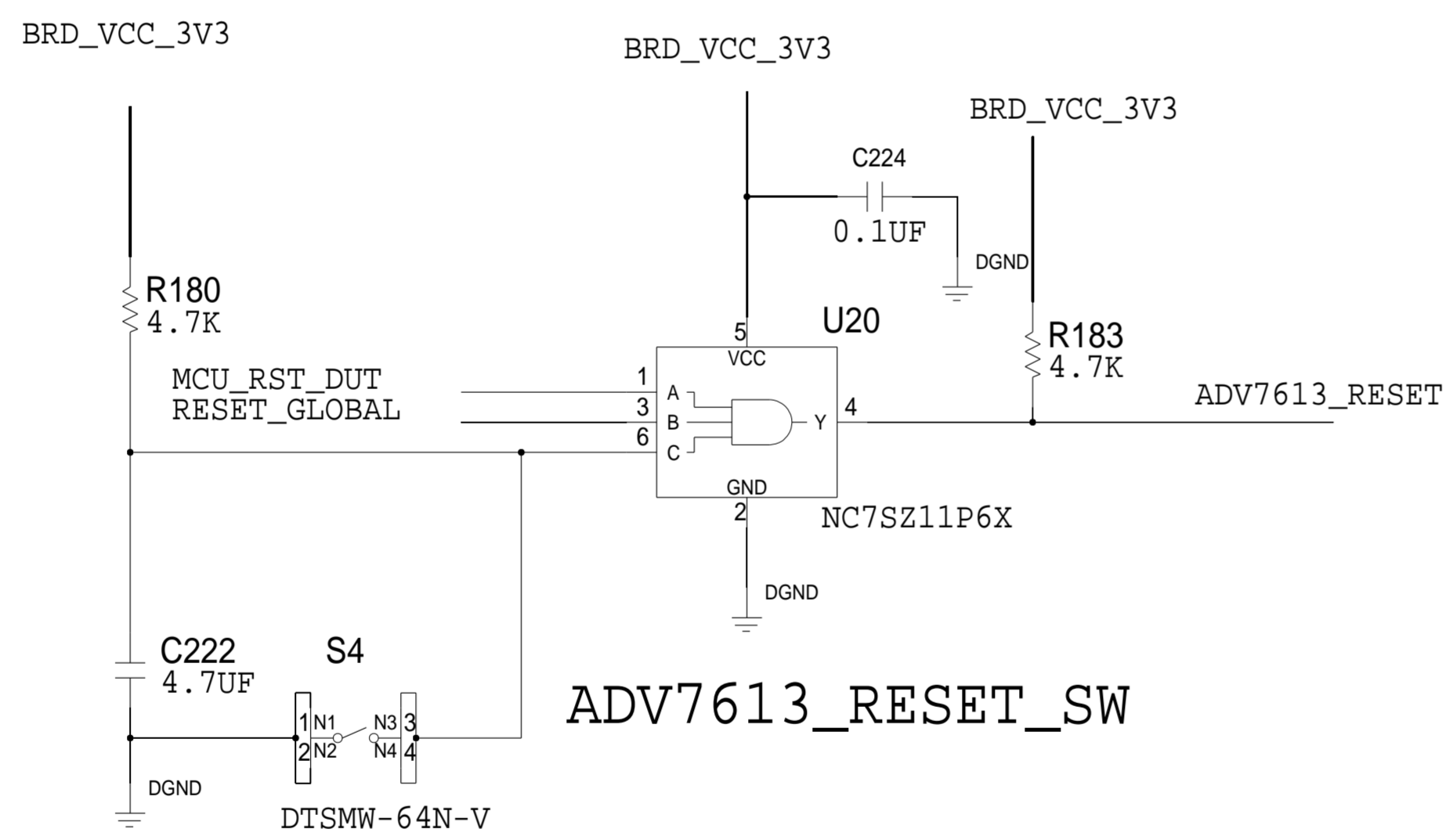
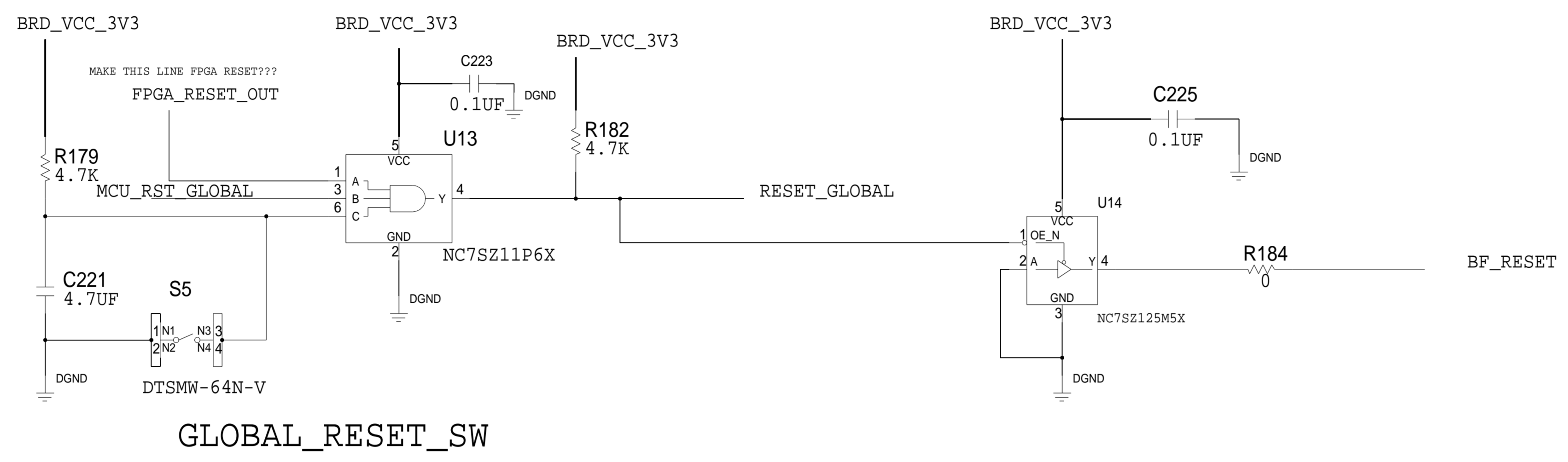
REVISIONS			
REV	DESCRIPTION	DATE	APPROVED



<p>THIS DRAWING IS THE PROPERTY OF ANALOG DEVICES INC. IT IS NOT TO BE REPRODUCED OR COPIED, IN WHOLE OR IN PART, OR USED IN FURNISHING INFORMATION TO OTHERS, OR FOR ANY OTHER PURPOSE DETRIMENTAL TO THE INTERESTS OF ANALOG DEVICES. THE EQUIPMENT SHOWN HEREIN MAY BE PROTECTED BY PATENTS OWNED OR CONTROLLED BY ANALOG DEVICES.</p>	<b>SCHEMATIC</b>		
	HW TYPE : Customer Evaluation Product(s) : ADV7613 ADV7511 1V8 & BF SUPPLIES PAGE : ADV7613		
	DESIGN VIEW <DESIGN_VIEW>	DRAWING NO. 02_039678	REV B
	PTD ENGINEER E OMORUYI	SIZE D	SCALE 1:1

SHEET 13 OF 15

REVISIONS			
REV	DESCRIPTION	DATE	APPROVED



LVDS CONNECTORS TO BE SAME USED ON OLD EVAL BOARDS

	<b>SCHEMATIC</b>		
	HW TYPE : Customer Evaluation		
	Product(s) : ADV7613      RESET PAGE, LVDS TX		
	: ADV7613		
DESIGN VIEW <DESIGN_VIEW>	DRAWING NO. 02_039678	REV B	
PTD ENGINEER E OMORUYI	SIZE D	SCALE 1:1	SHEET 14 OF 15

8 7 6 5 4 3 2 1

REVISIONS

REV	DESCRIPTION	DATE	APPROVED

D

D

C


C

B

B

A

A

 <p><small>THIS DRAWING IS THE PROPERTY OF ANALOG DEVICES INC. IT IS NOT TO BE REPRODUCED OR COPIED, IN WHOLE OR IN PART, OR USED IN FURNISHING INFORMATION TO OTHERS, OR FOR ANY OTHER PURPOSE DETRIMENTAL TO THE INTERESTS OF ANALOG DEVICES. THE EQUIPMENT SHOWN HEREON MAY BE PROTECTED BY PATENTS OWNED OR CONTROLLED BY ANALOG DEVICES.</small></p>	<b>SCHEMATIC</b>		
	HW TYPE : Customer Evaluation Product(s) : ADV7613 : ADV7613		
	DESIGN VIEW <DESIGN_VIEW>	DRAWING NO. 02_039678	REV B
	PTD ENGINEER E OMORUYI	SIZE <b>D</b>	SCALE 1:1
		SHEET 15 OF 15	

8 7 6 5 4 3 2 1

