

6

5

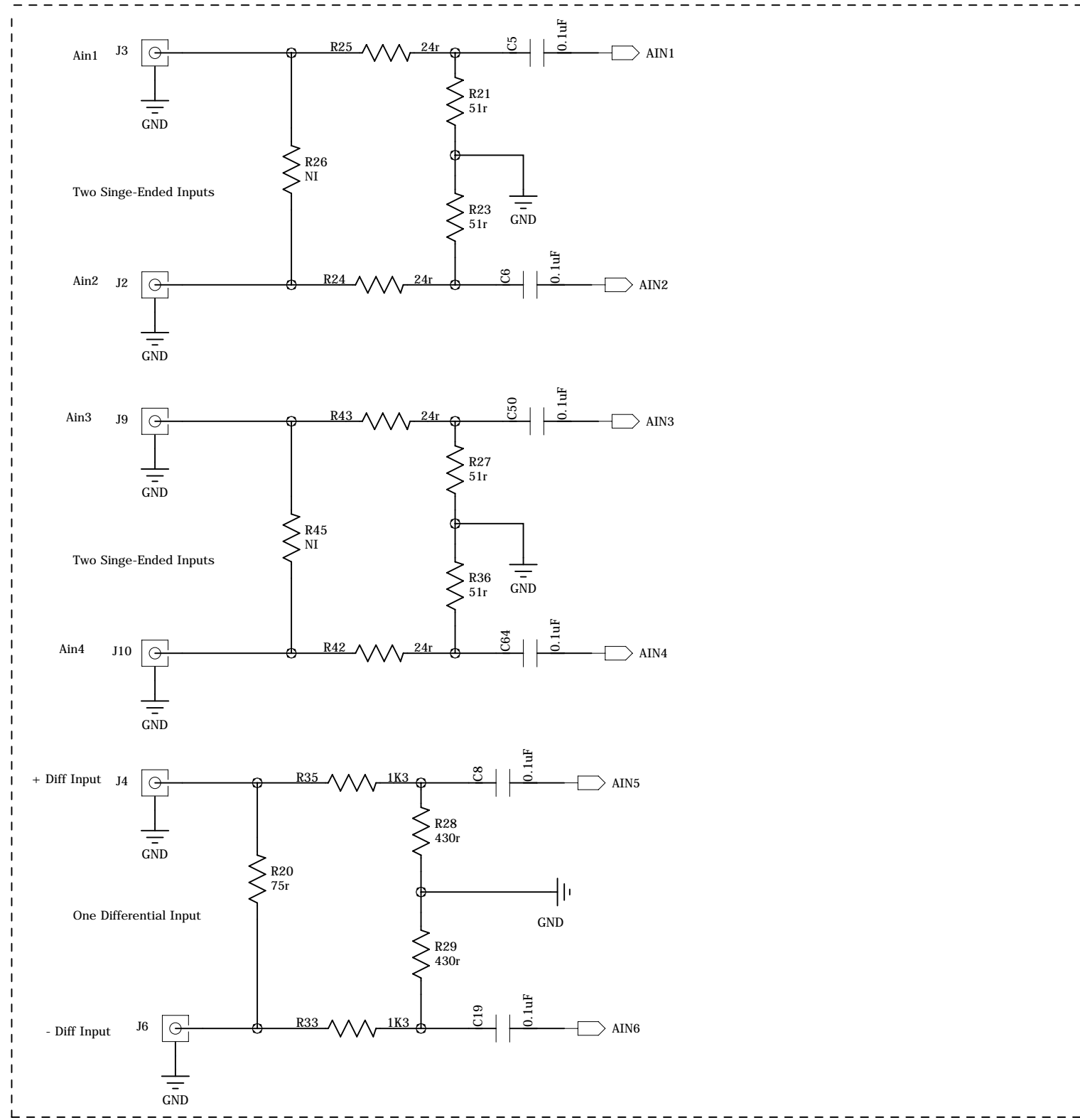
4

3

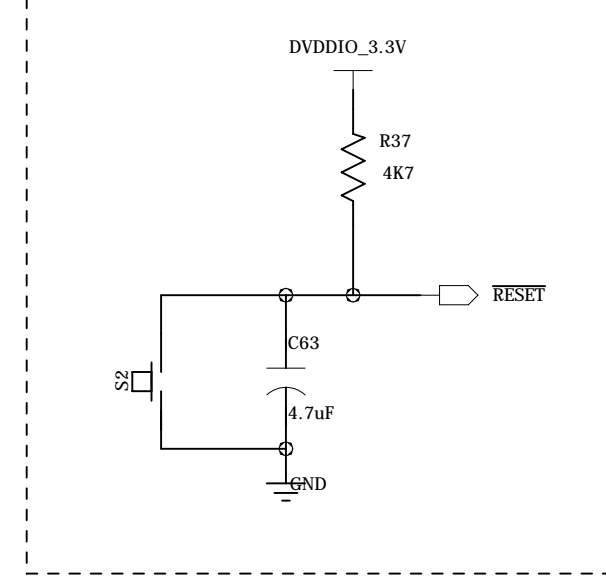
2

1

Analog Front End

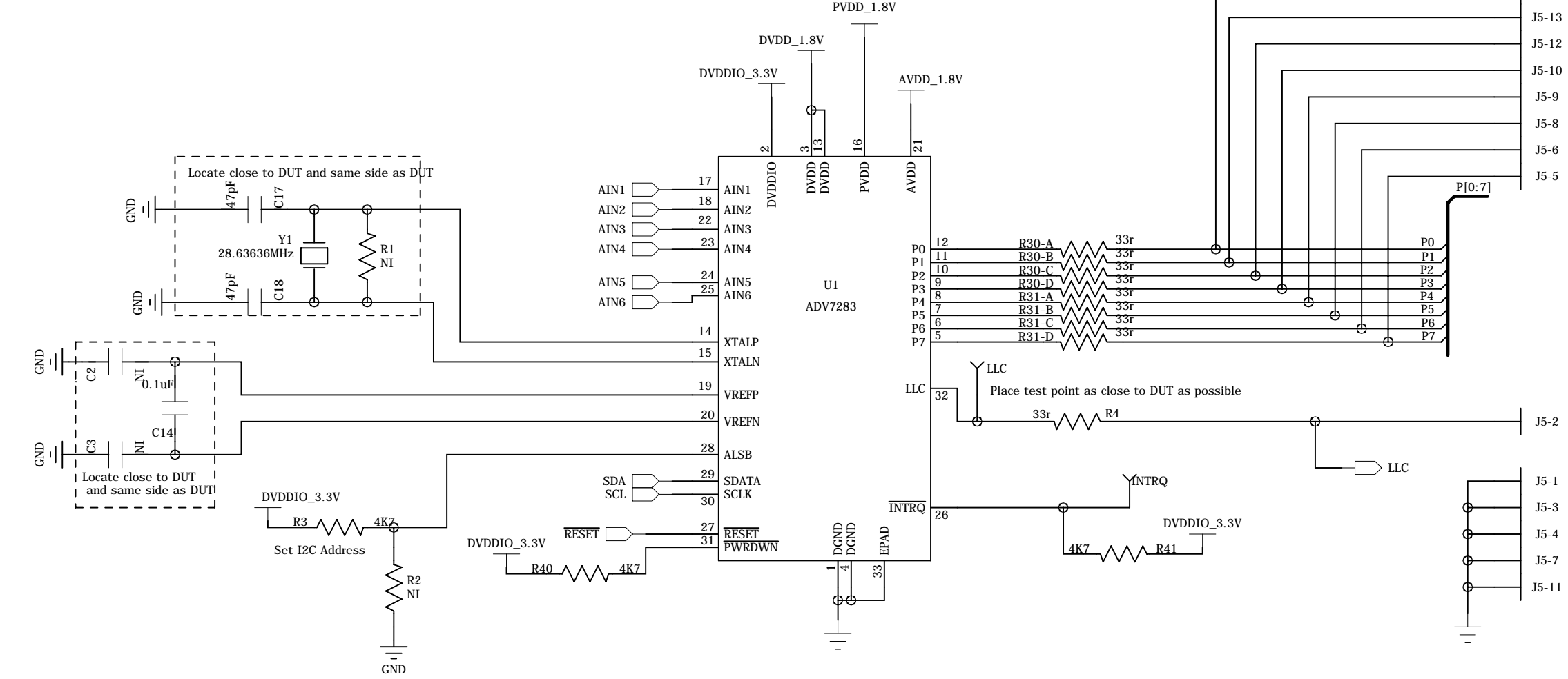


Reset Switch

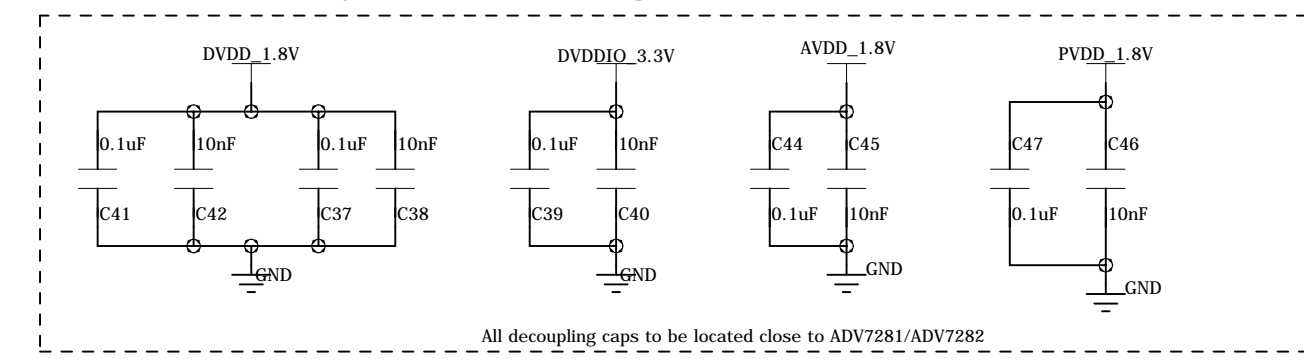


REVISION RECORD			
LTR	ECO NO:	APPROVED:	DATE:

ADV7283



Power Supply Decoupling



COMPANY: Analog Devices			
TITLE: ADV7283			
DRAWN: <Drawn By>	DATED: April 2014	CODE: <Code>	SIZE: A2
CHECKED: <Checked By>	DATED: <Checked Date>	DRAWING NO: Rev. 0	REV: B
QUALITY CONTROL: <QC By>	DATED: <QC Date>	SCALE: <Scale>	SHEET: 1 OF 4
RELEASED: <Released By>	DATED: <Release Date>		

6

5

4

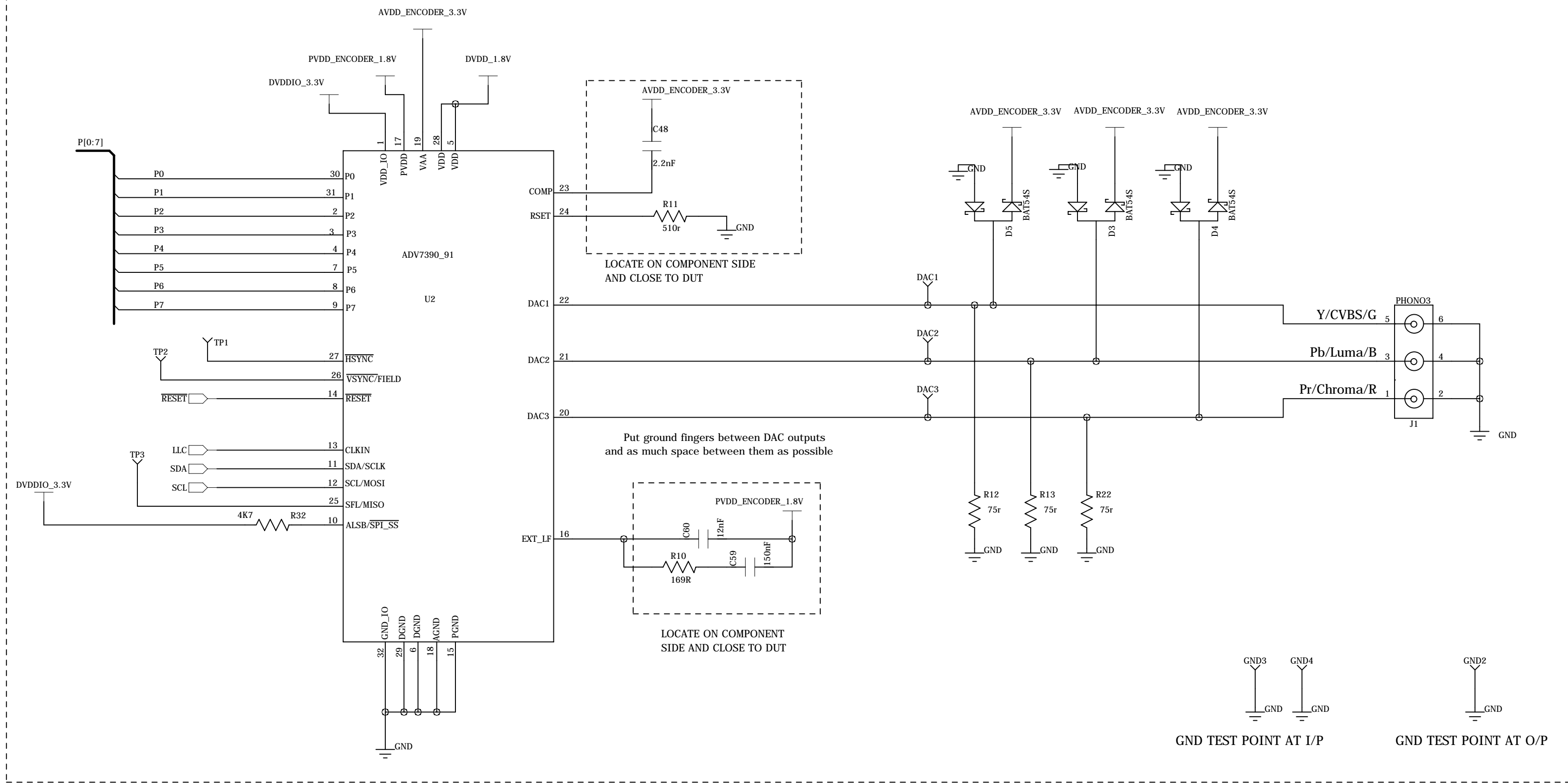
3

2

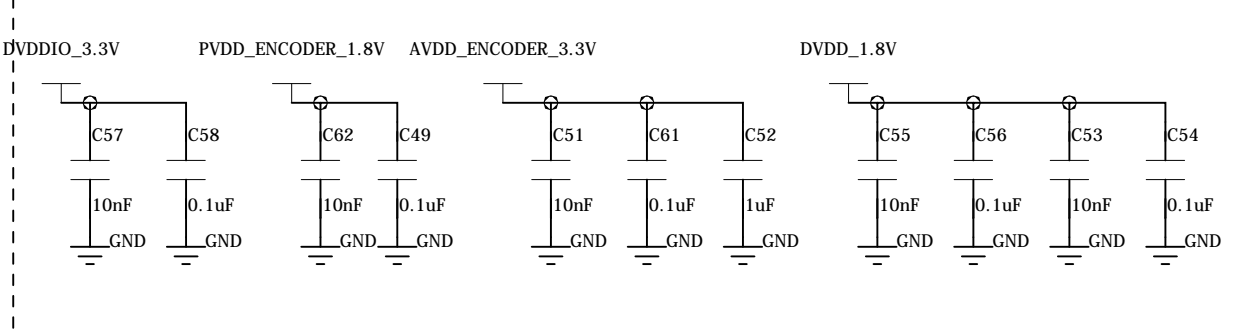
1

ADV7391

REVISION RECORD			
LTR	ECO NO:	APPROVED:	DATE:



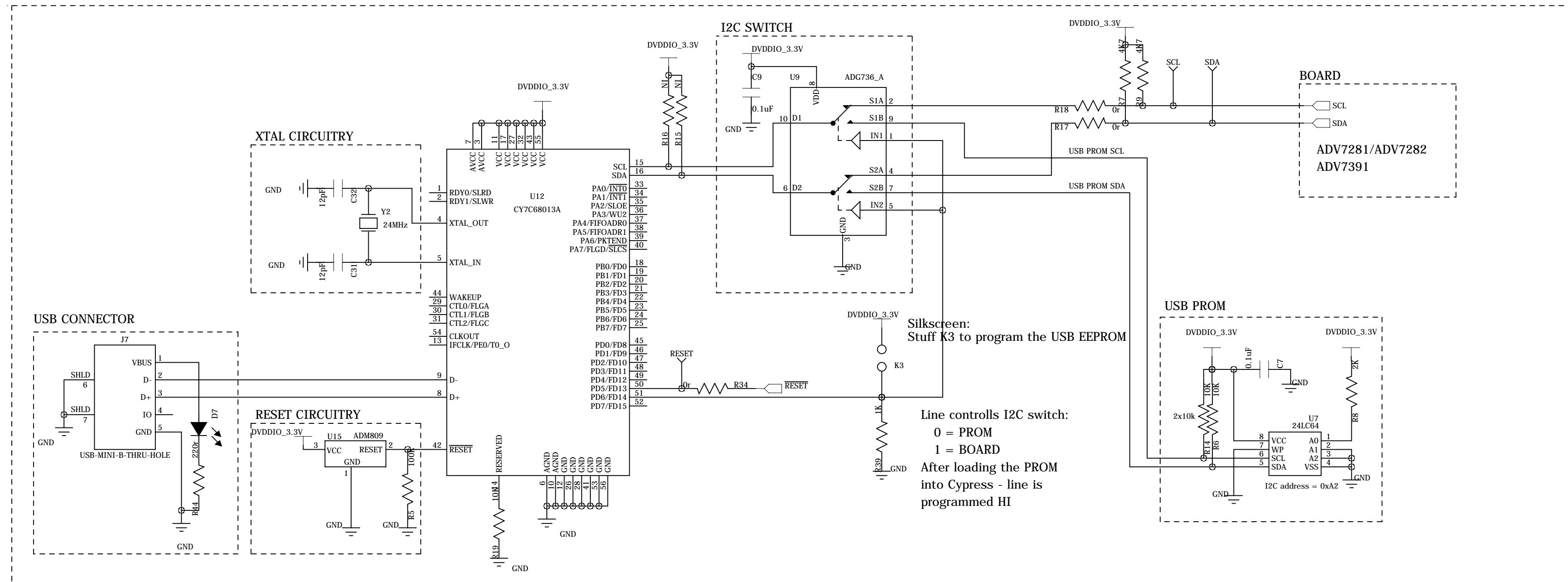
ADV7391 Power Supply Decoupling



COMPANY:				Analog Devices			
TITLE:				ADV7283			
DRAWN:	<Drawn By>	DATED:	April 2014	CODE:	SIZE:	DRAWING NO:	REV:
CHECKED:	<Checked By>	DATED:	<Checked Date>	<Code>	A2	Rev. 0	B
QUALITY CONTROL:	<QC By>	DATED:	<QC Date>	SCALE: <Scale>		SHEET: 2 OF 4	
RELEASED:	<Released By>	DATED:	<Release Date>				

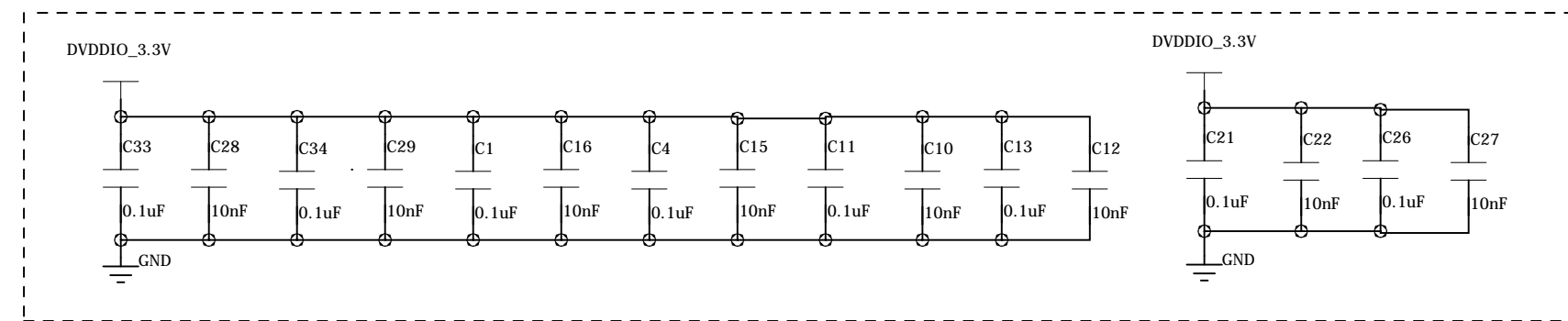
REVISION RECORD			
LTR	ECO NO.	APPROVED:	DATE:

USB



Silkscreen:
 Stuff K3 to program the USB EEPROM
 Line controls I2C switch:
 0 = PROM
 1 = BOARD
 After loading the PROM
 into Cypress - line is
 programmed HI

Decoupling



COMPANY: Analog Devices			
TITLE: ADV7283			
DRAWN: <Drawn By>	DATED: April 2014	CODE: <Code>	
CHECKED: <Checked By>	DATED: <Checked Date>	SIZE: A2	DRAWING NO: Rev. 0
QUALITY CONTROL: <QC By>	DATED: <QC Date>	REV: B	
RELEASED: <Released By>	DATED: <Release Date>	SCALE: <Scale>	

6

5

4

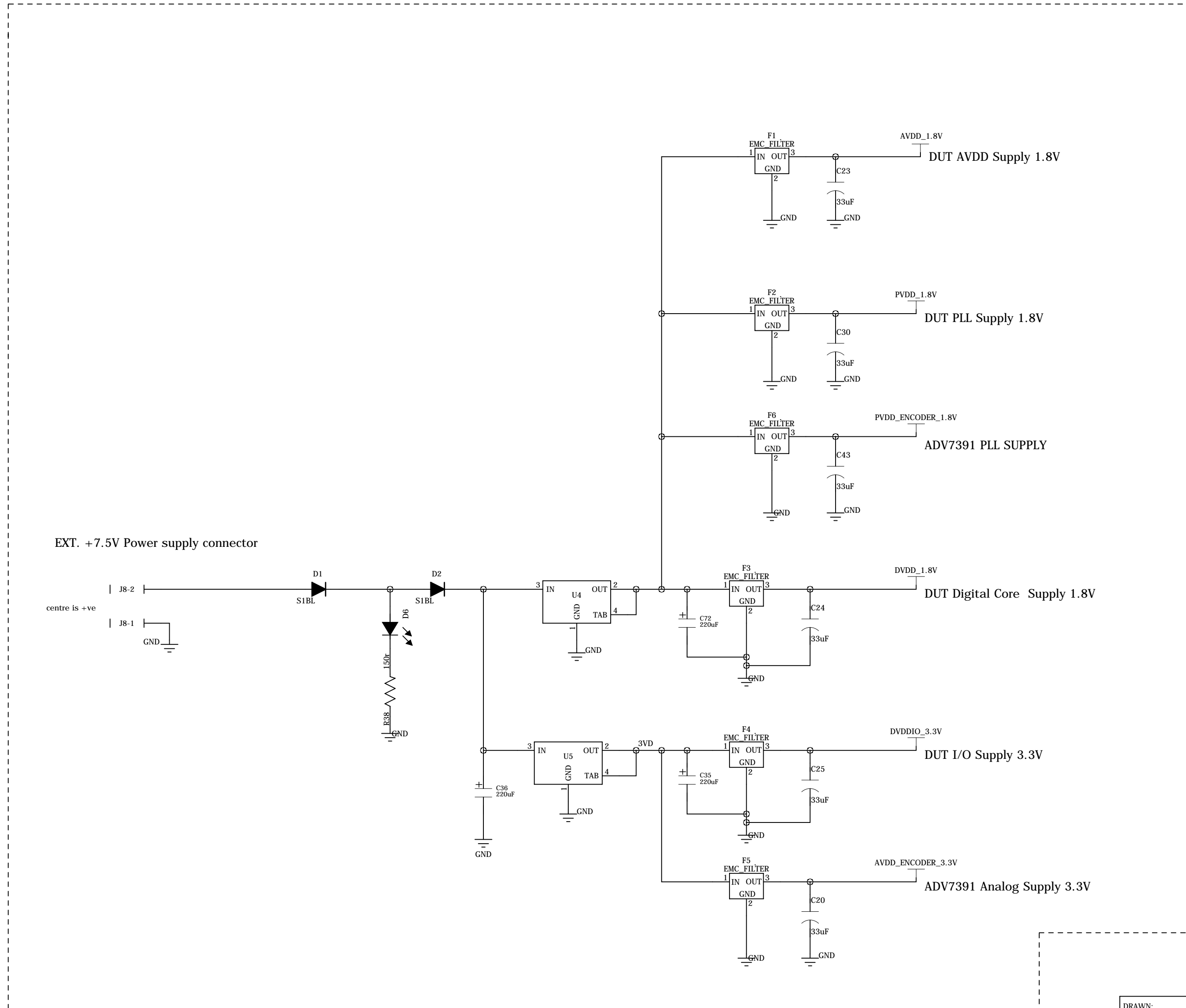
3

2

1

REVISION RECORD			
LTR	ECO NO:	APPROVED:	DATE:

Power Section



COMPANY: **Analog Devices**

TITLE: **ADV7283**

DRAWN: <Drawn By>	DATED: April 2014
CHECKED: <Checked By>	DATED: <Checked Date>
QUALITY CONTROL: <QC By>	DATED: <QC Date>
RELEASED: <Released By>	DATED: <Release Date>

CODE: <Code>	SIZE: A2	DRAWING NO: Rev. 0	REV: B
SCALE: <Scale>			SHEET: 4 OF 4