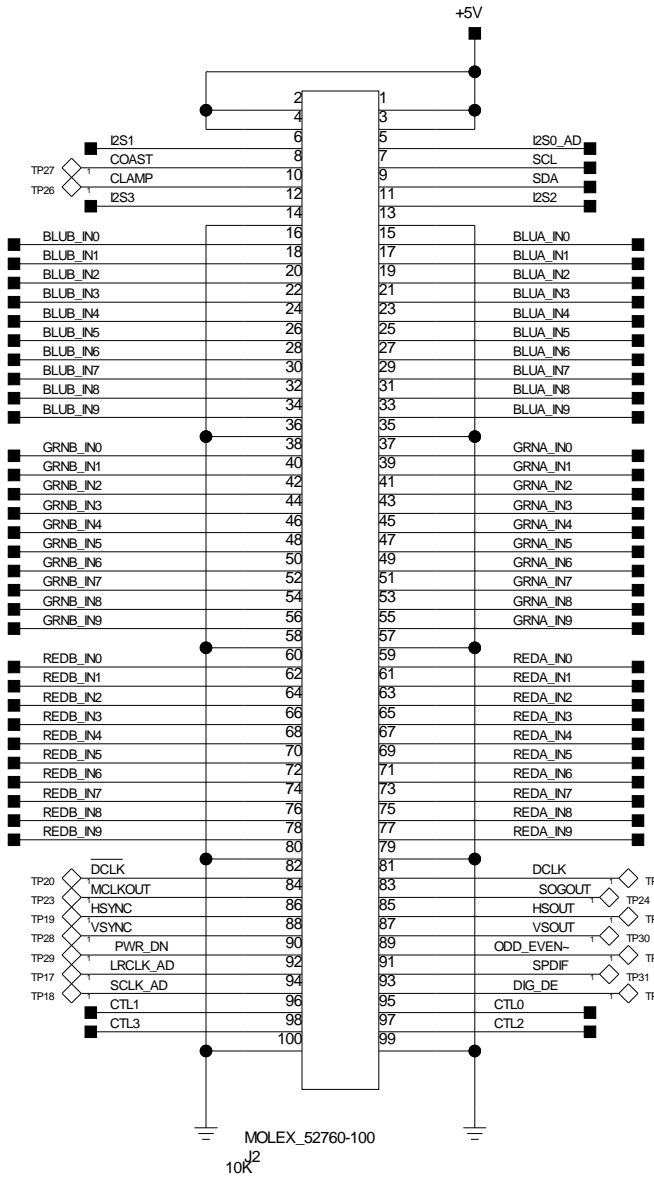
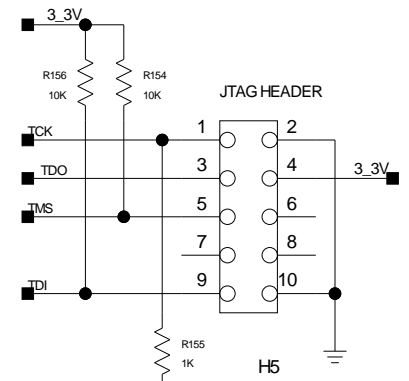


H7

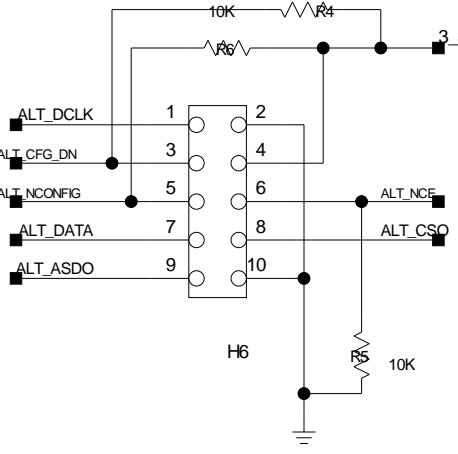
ADD NET NAMES FOR ALL TP'S (EXCEPT SPARES) TO SILKSCREEN



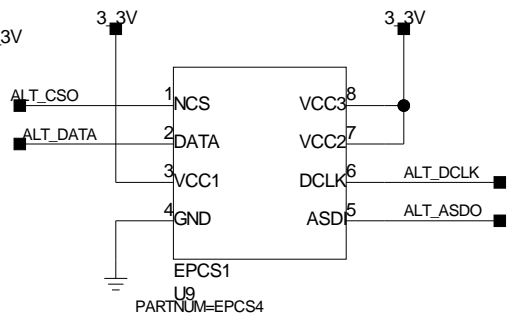
MOLEX\_52760-100



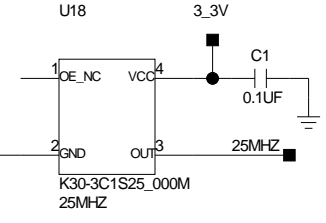
H5



H6

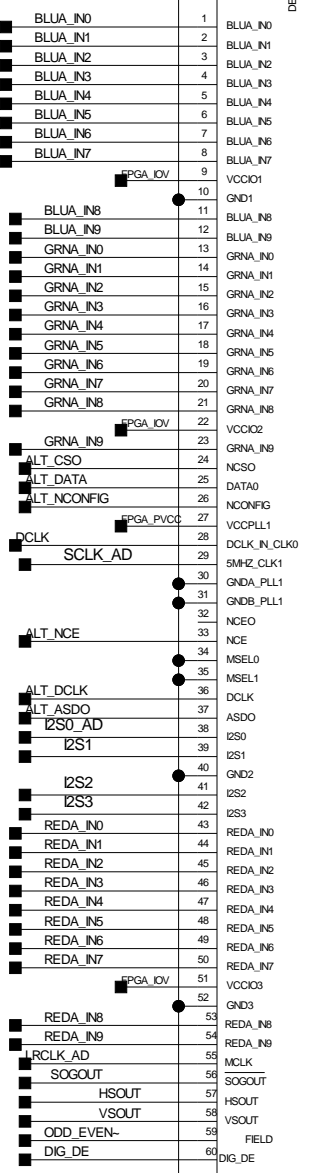


U9  
PARTNUM=EPCS4

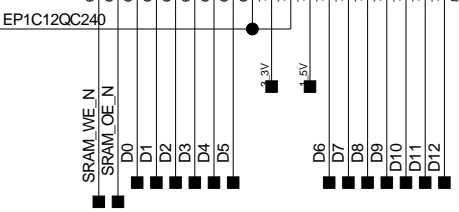


U18

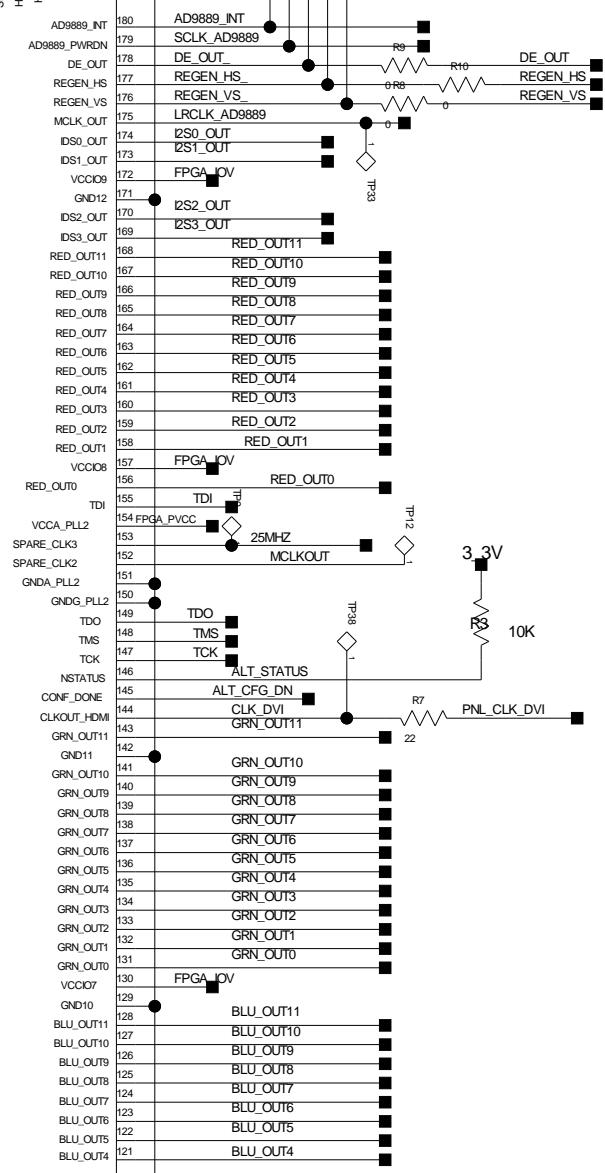
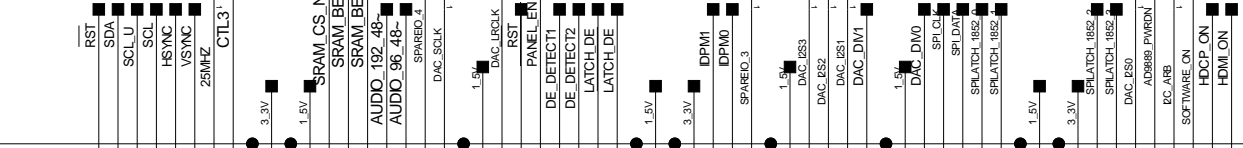
K30-3C1S25\_000M  
25MHZ




AD9889\_DAIB\_FPGA  
EP1C6QC240



EP1C12QC240





**ANALOG DEVICES**

7910 TRIAD CENTER DRIVE  
GREENSBORO NC 27409

**TITLE** ADI HDMI TX REFERENCE DESIGN  
(AD9889B, AD9387, AD7520)

**DRAWING NUMBER** GSO8972A

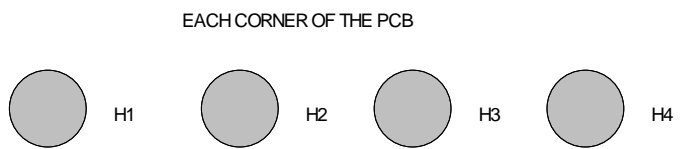
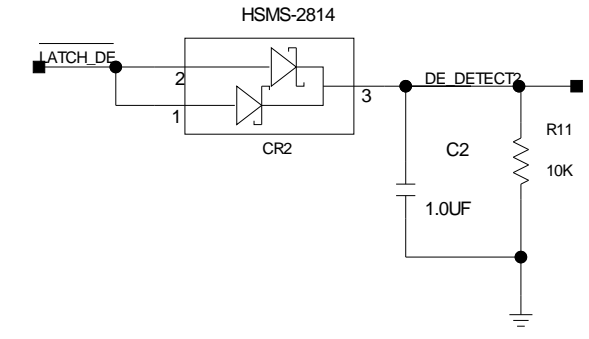
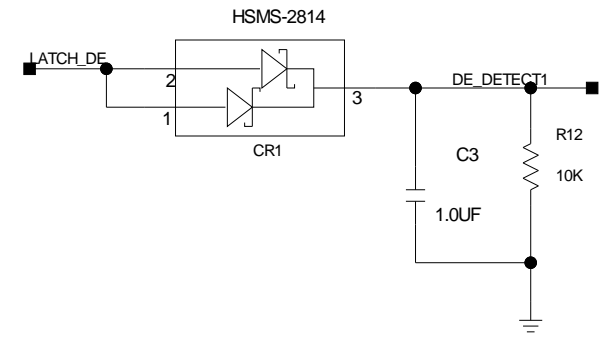
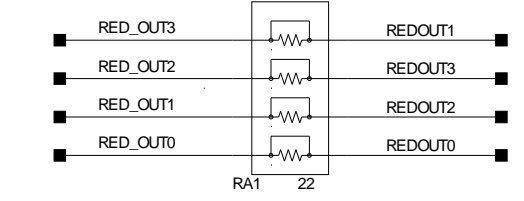
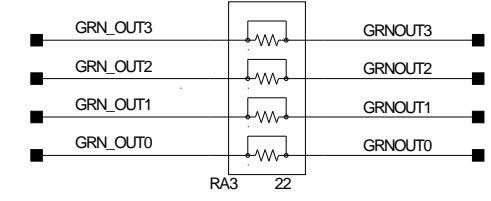
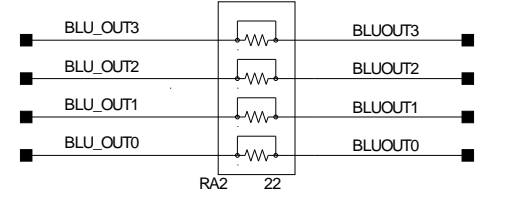
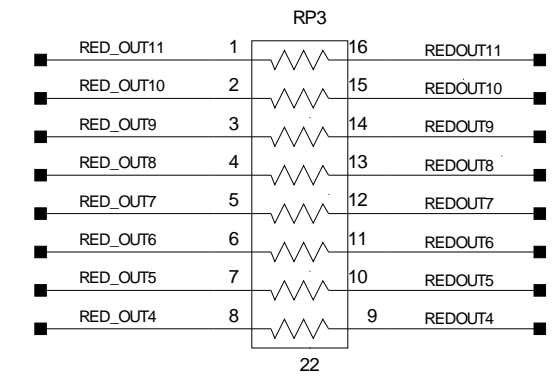
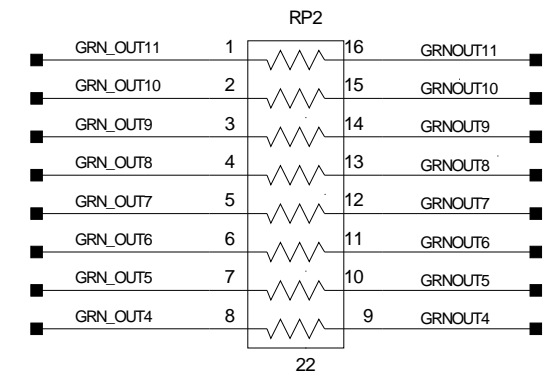
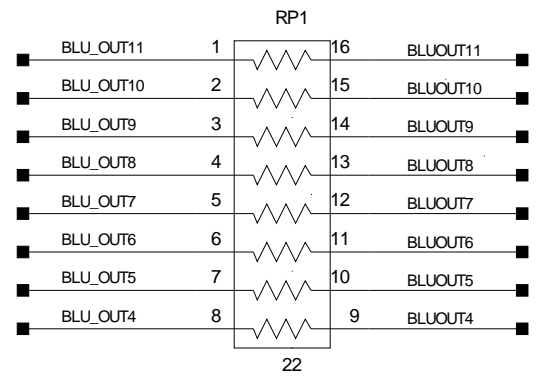
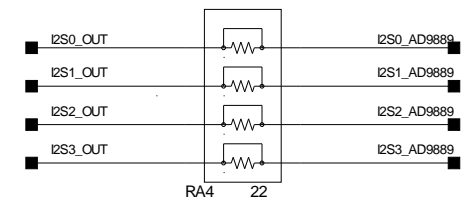
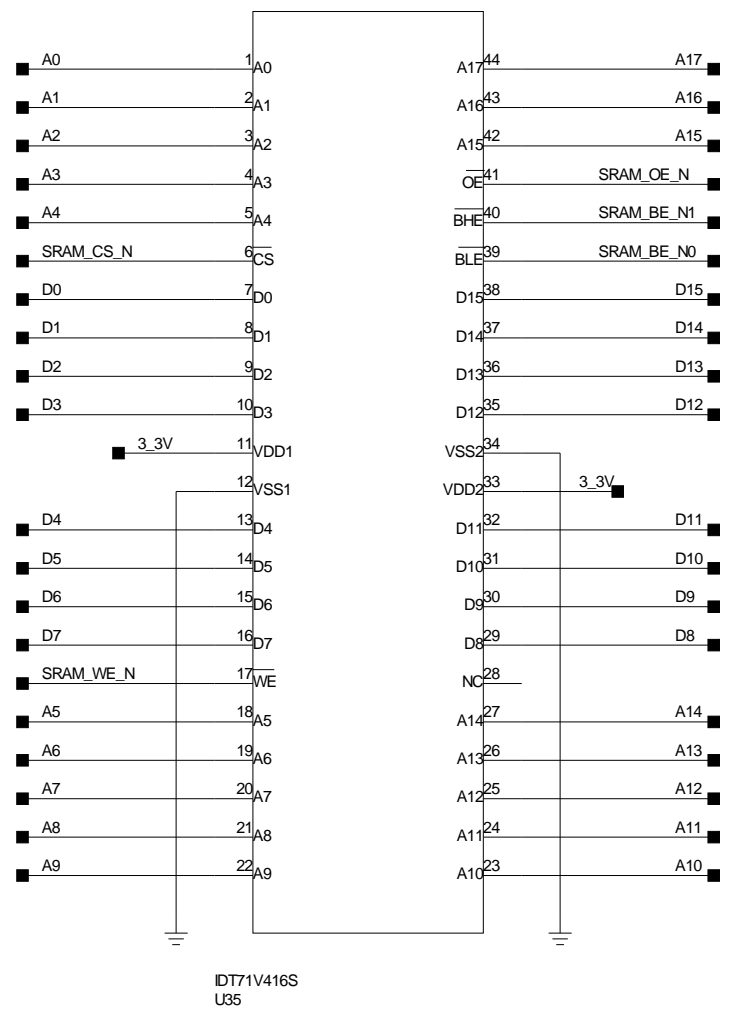
**REV** D

DATE: \_\_\_\_\_

SHEET 1 OF 8

DRAWN BY: D. JONES

REVISIONS			
REV	DESCRIPTION	DATE	APPROVED



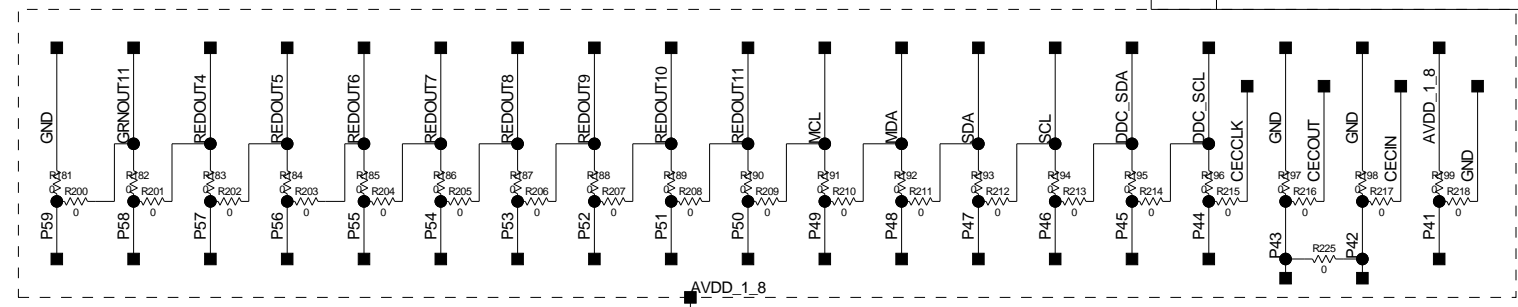
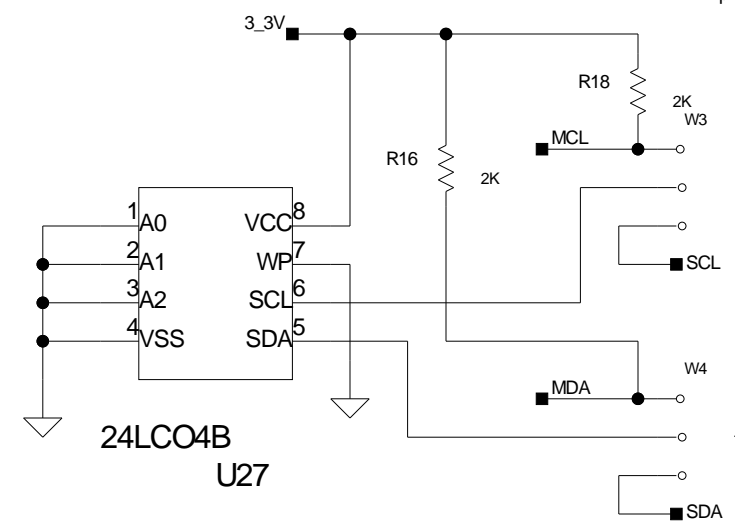
**SERIES TERMINATORS**

	<b>HSC GREENSBORO</b> 7910 TRIAD CENTER DRIVE GREENSBORO NC 27409		TITLE ADI HDMI TX REFERENCE DESIGN (AD9889B, AD9387, AD7520)	
	DATE:	SHEET 2 OF 8	DRAWN BY: D. JONES	DRAWING NUMBER <b>GSO8972A</b> REV <b>D</b>

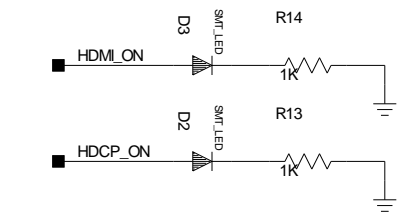
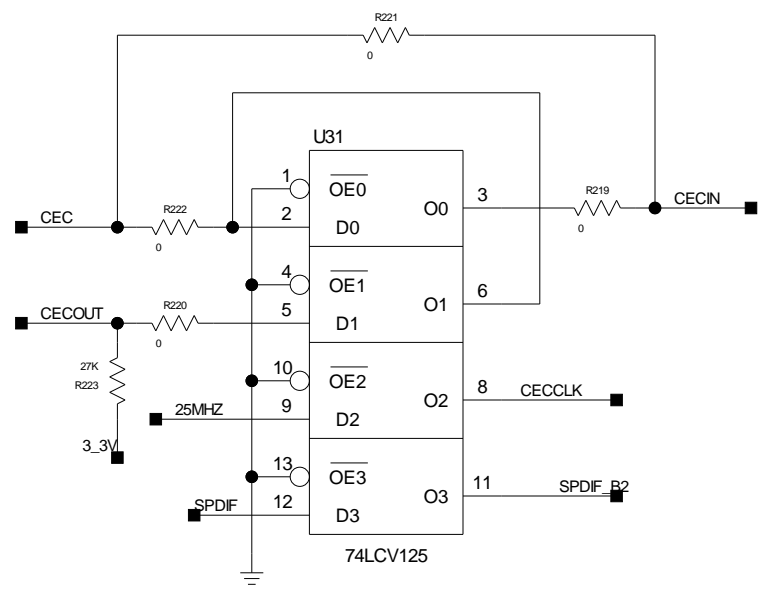
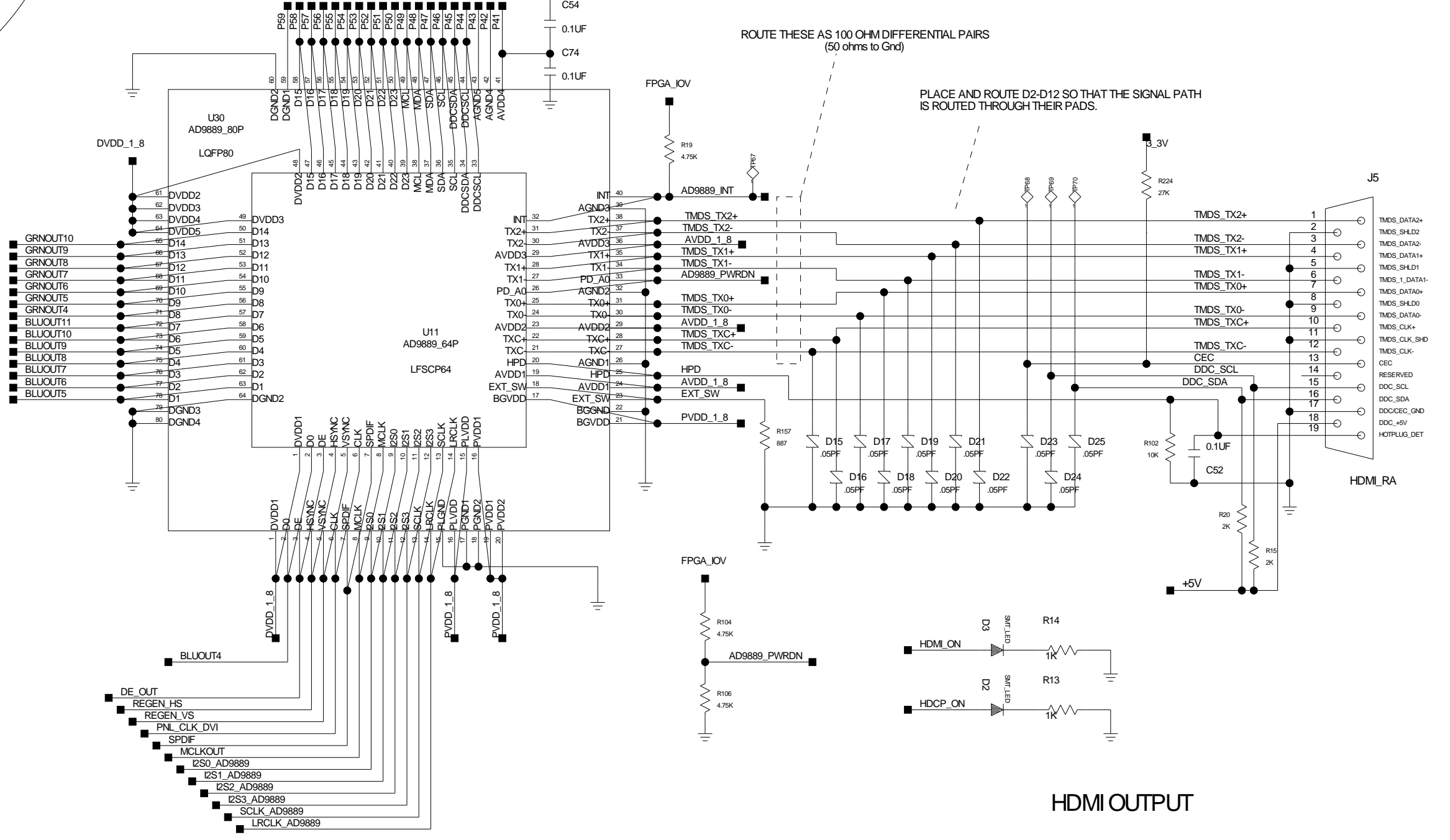
REVISIONS			
REV	DESCRIPTION	DATE	APPROVED
C	BIAS_V pin of CM2020 changed from 1.8V to 3.3V		
D	Pin 48 of the LFCSFP64 package changed from GND to DVDD Changed esd protection to discretes	5/11/2006	

Note: Add following text to silkscreen at jumper pins for SCL and SDA: "PGM HDCP"

FOR AD9889B OR AD9387, INSTALL R181-R199  
FOR ADV7520NK, INSTALL R200-R218



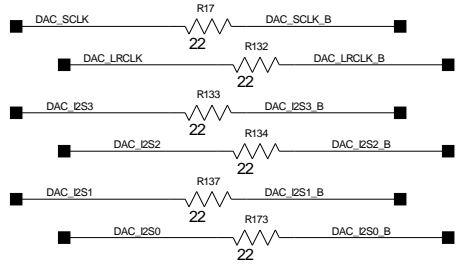
THE AD9889 COMES IN TWO PACKAGE TYPES.  
PLEASE LAY OUT THE PCB IN A "DUAL FOOTPRINT"  
CONFIGURATION AS APPROXIMATED HERE.



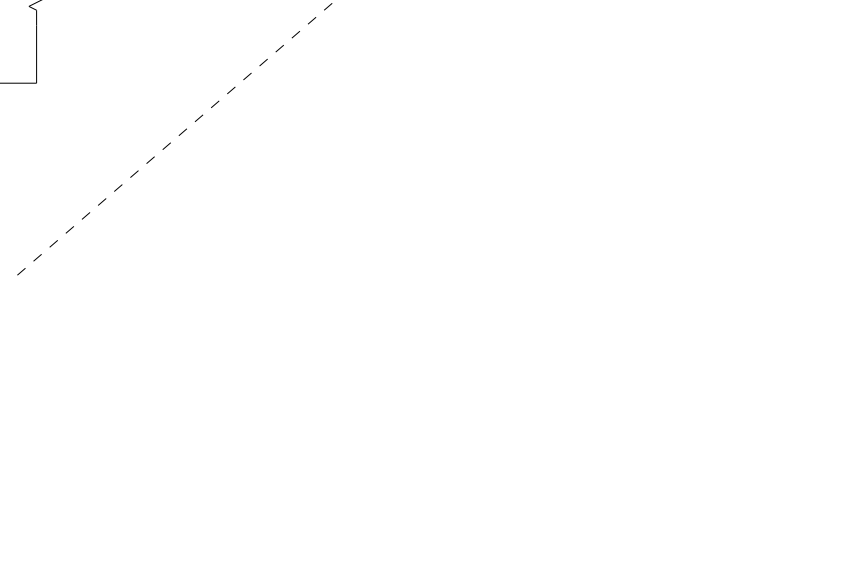
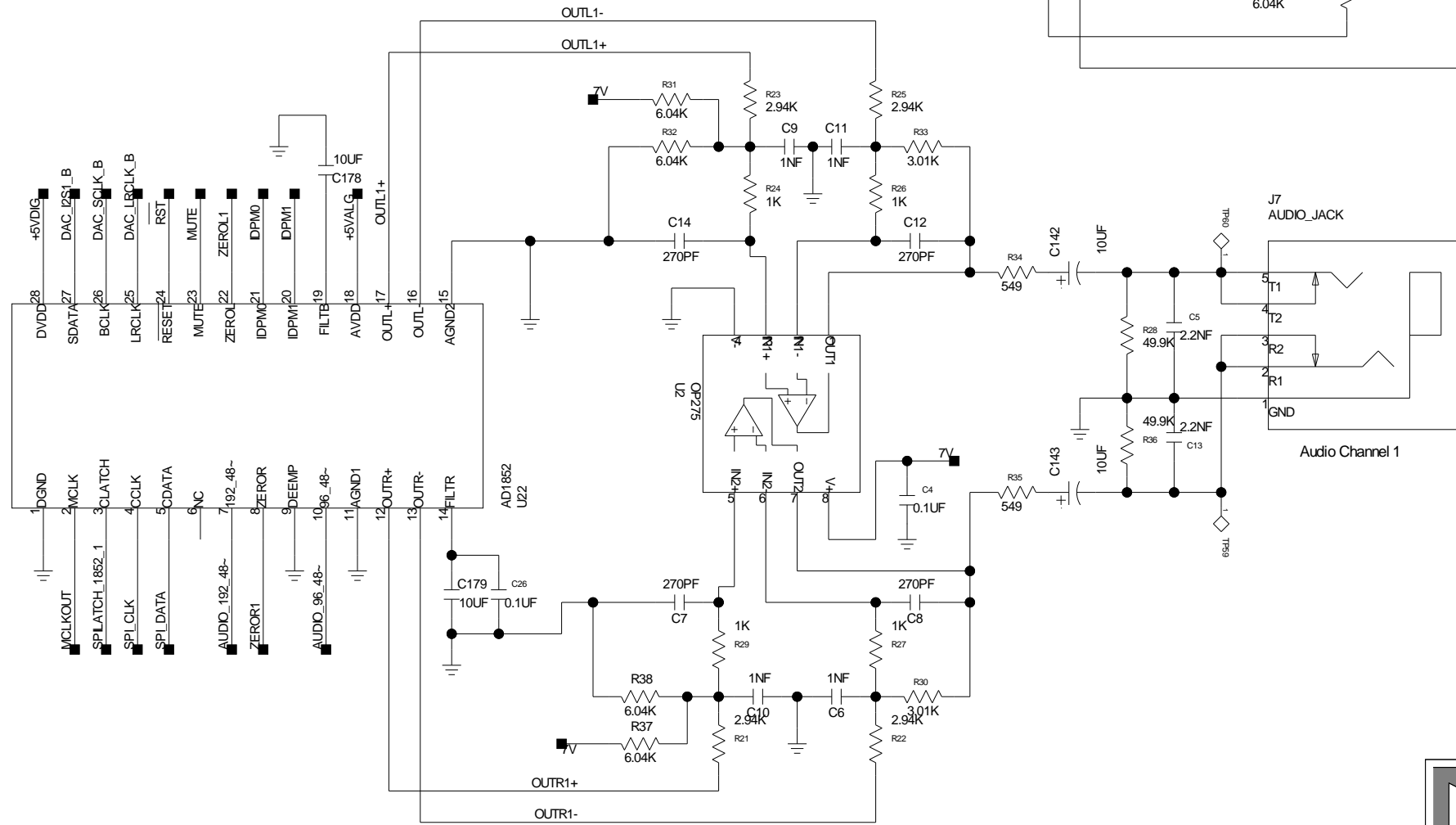
HDMI OUTPUT

	<b>HSC GREENSBORO</b> 7910 TRIAD CENTER DRIVE GREENSBORO NC 27409		TITLE <b>ADI HDMI TX REFERENCE DESIGN</b> (AD9889B, AD9387, AD7520)	
	DATE:	SHEET 3 OF 8	DRAWN BY: D. JONES	DRAWING NUMBER <b>GSO8972A</b>

PLACE THESE RESISTORS CLOSE TO THE FPGA



REVISIONS			
REV	DESCRIPTION	DATE	APPROVED
D	Added separate I2S signals for DACs		

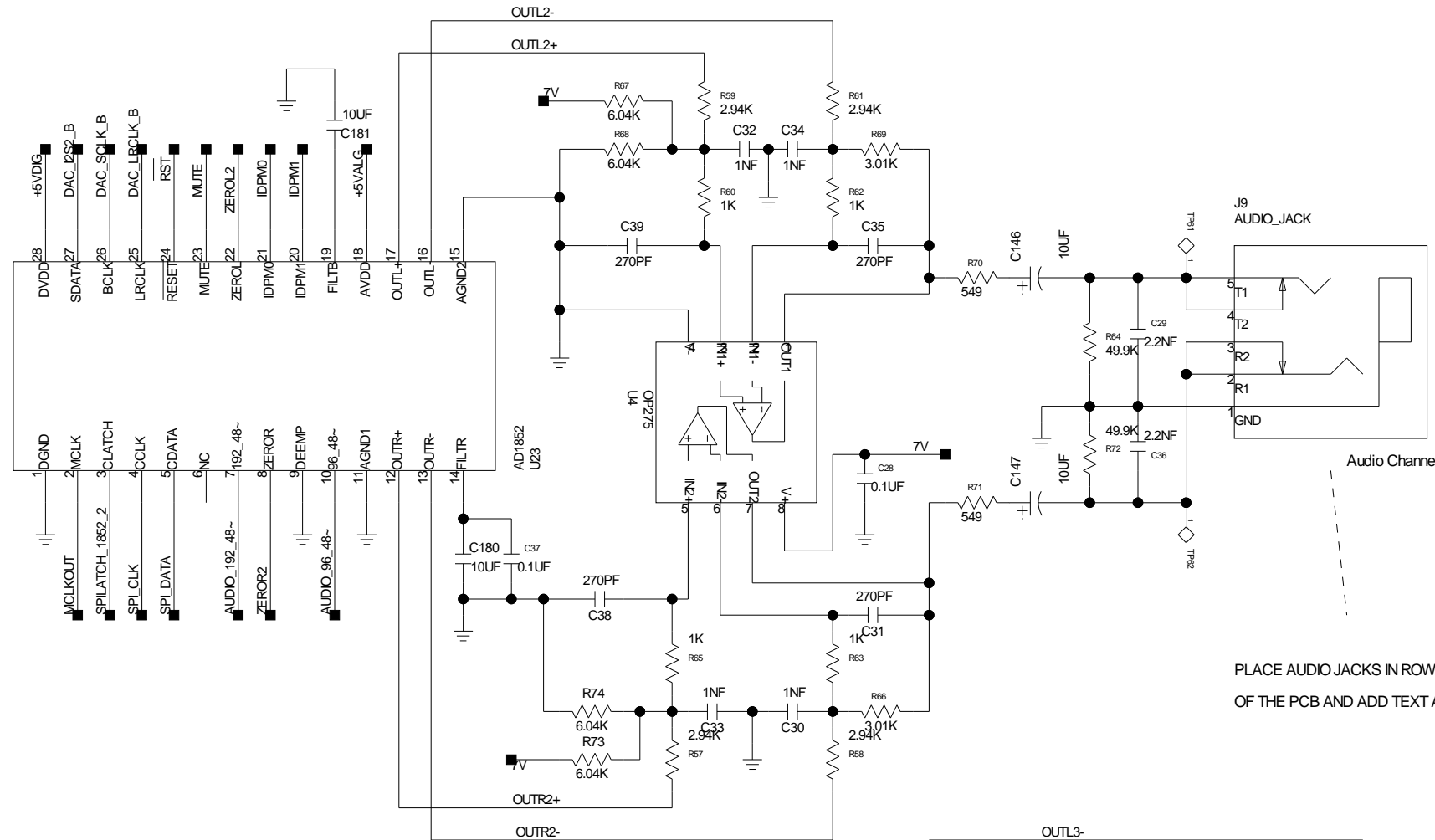


I2S AUDIO (CH 0 and 1)

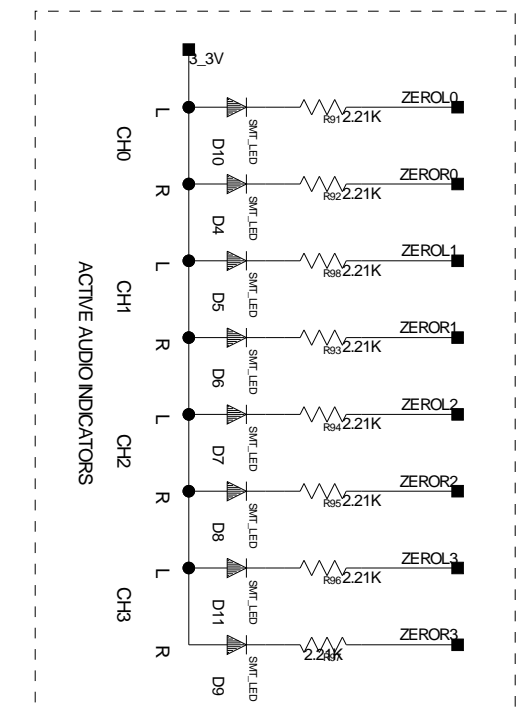
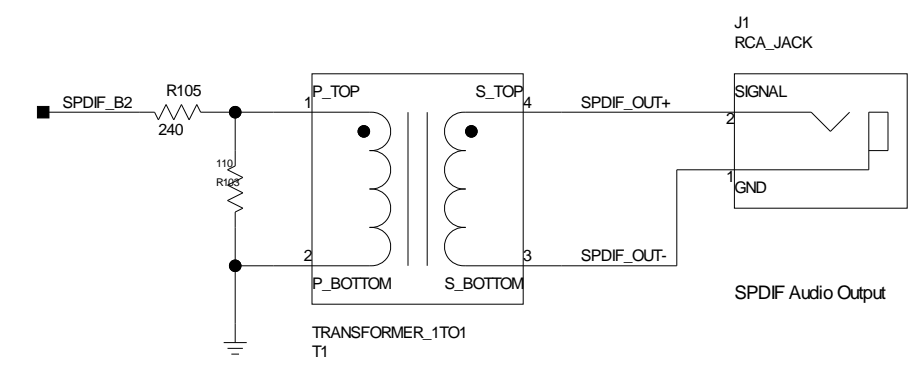
PLACE AUDIO JACKS IN ROW AT THE EDGE OF THE PCB AND ADD TEXT AS INDICATED.

	HSC GREENSBORO 7910 TRIAD CENTER DRIVE GREENSBORO NC 27409		TITLE ADI HDMI TX REFERENCE DESIGN (AD9889B, AD9387, AD7520)
	DATE:	SHEET 4 OF 8	DRAWN BY: D. JONES

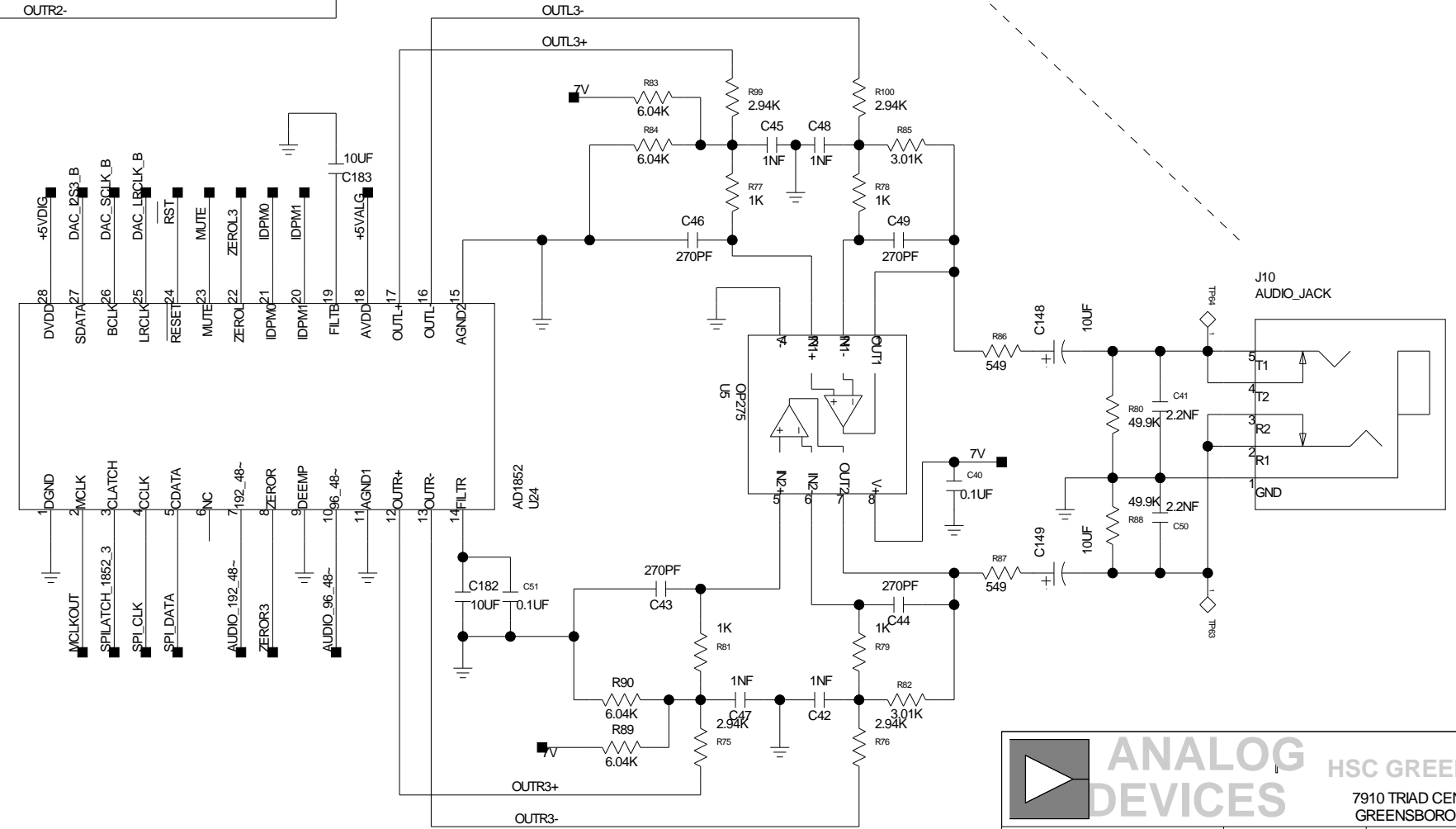
REVISIONS			
REV	DESCRIPTION	DATE	APPROVED
D	Added separate I2S signals for DACs		



PLACE AUDIO JACKS IN ROW AT THE EDGE OF THE PCB AND ADD TEXT AS INDICATED.



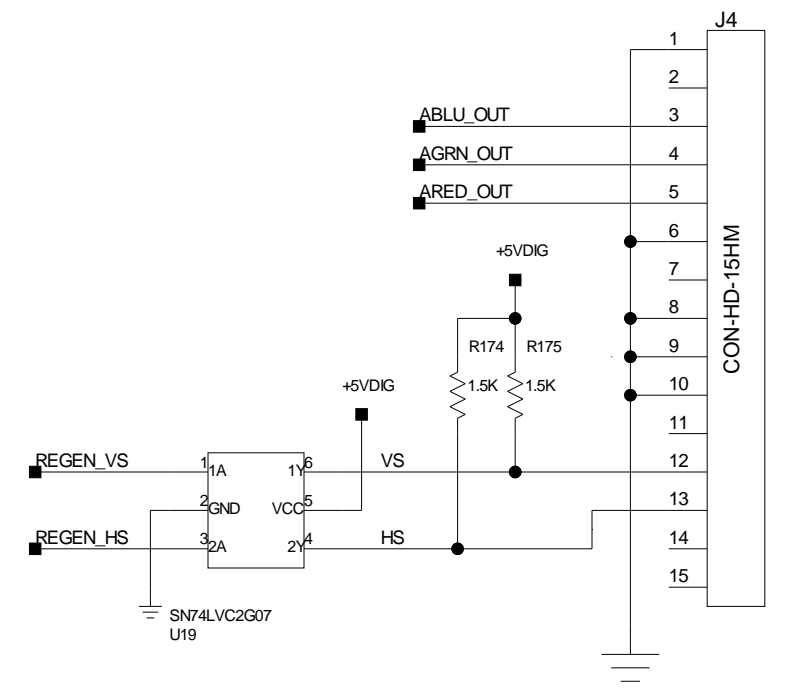
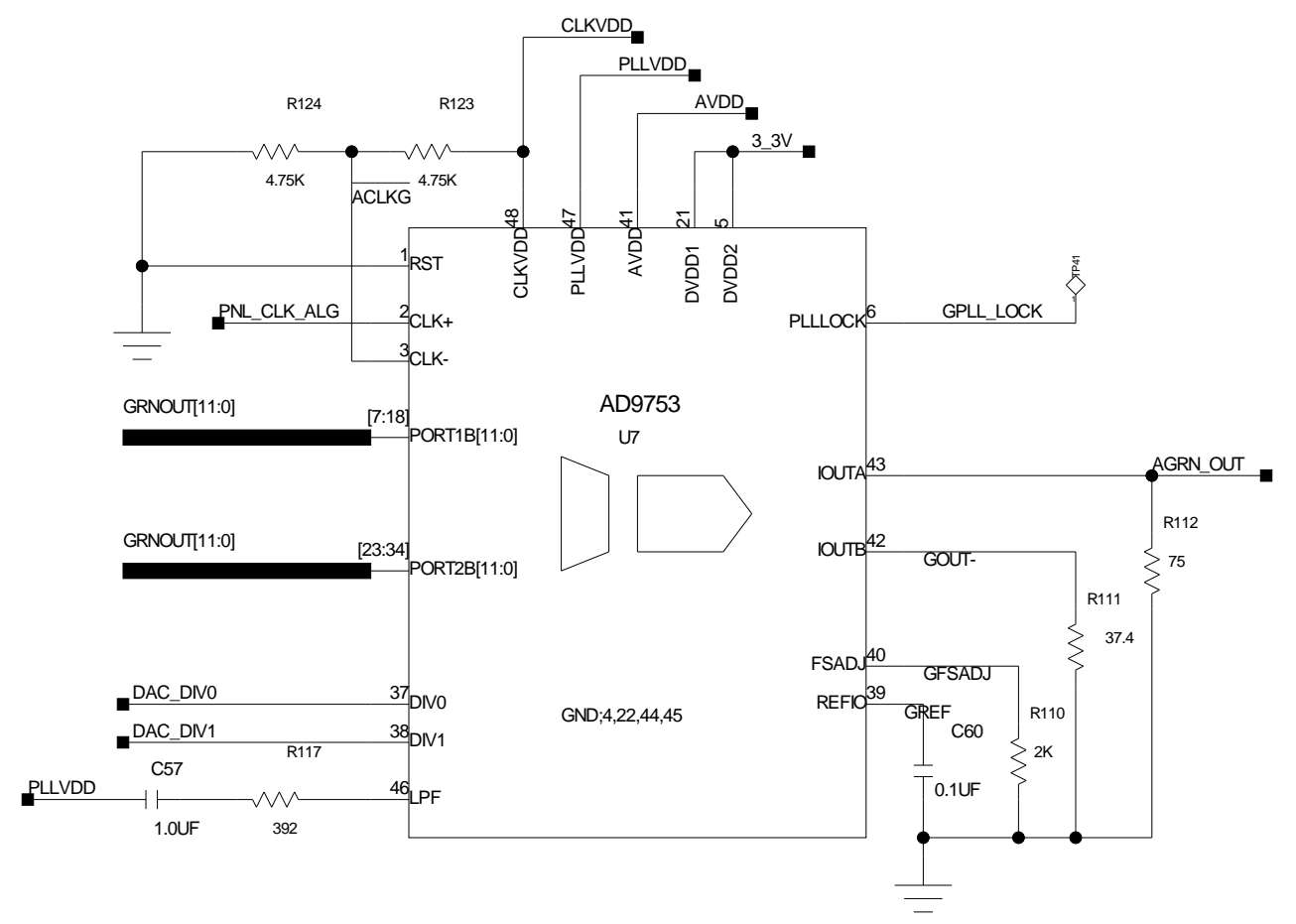
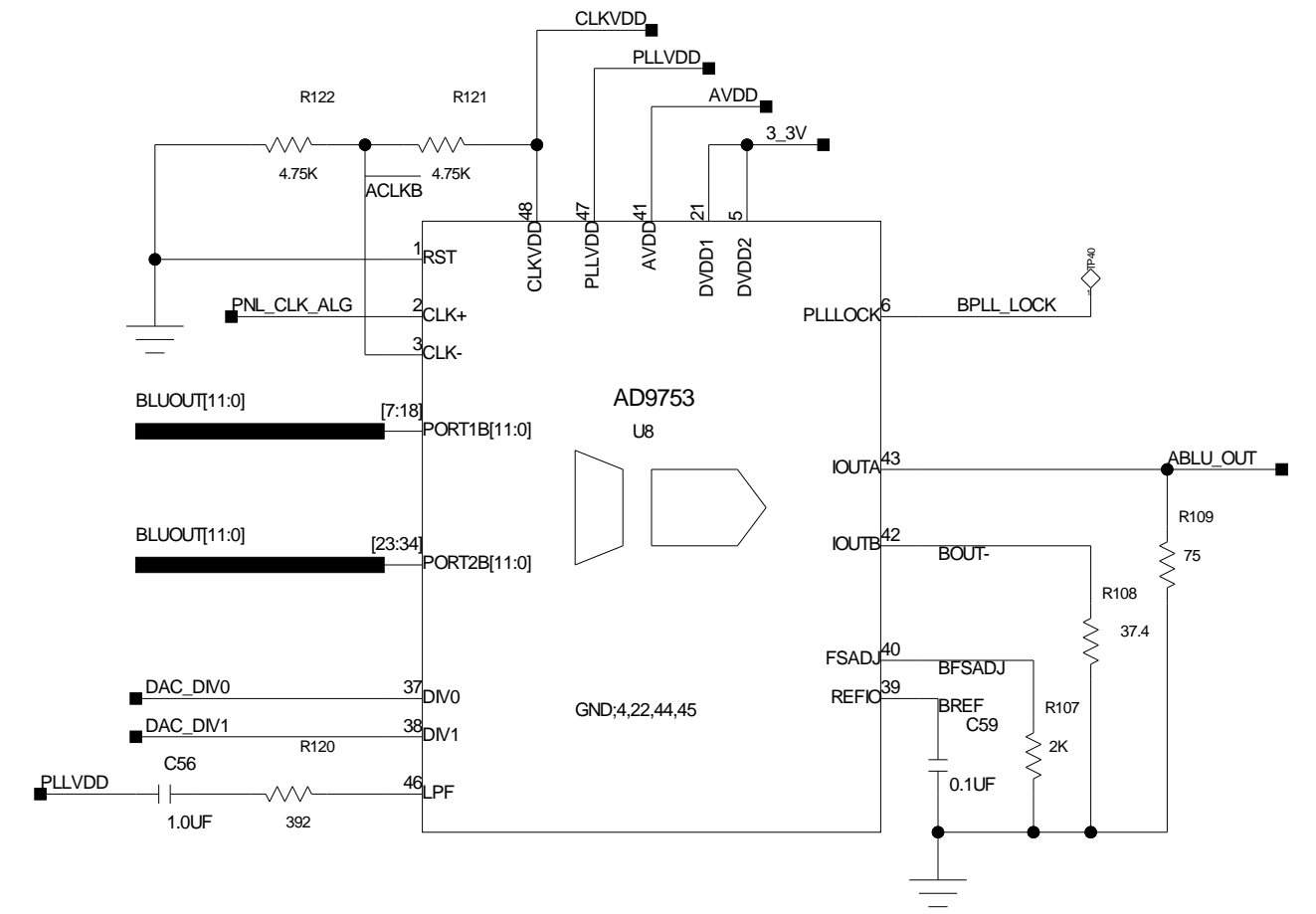
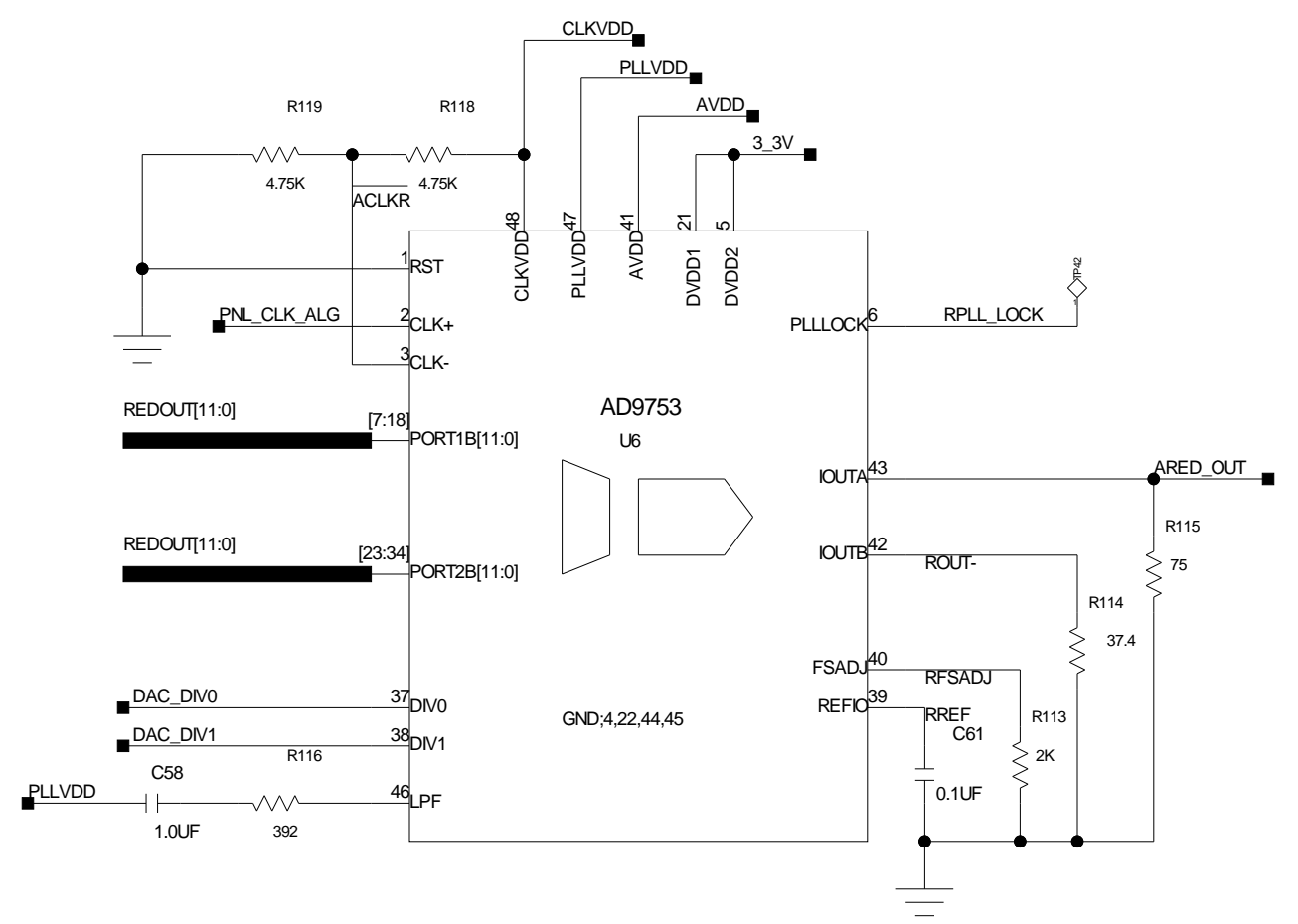
1. PLACE LEDS NEAR THEIR RESPECTIVE AUDIO OUTPUT JACKS AND ADD THE TEXT AS INDICATE ABOVE.
2. EXTEND PADS TO SAME LENGTH AS 0805 PACKAGE FOR ALL LED'S



I2S/SPDIF AUDIO

	HSC GREENSBORO 7910 TRIAD CENTER DRIVE GREENSBORO NC 27409		TITLE <b>ADI HDMI TX REFERENCE DESIGN</b> (AD9889B, AD9387, AD7520)	REV <b>D</b>
	DATE:	SHEET 5 OF 8	DRAWN BY: D. JONES	DRAWING NUMBER <b>GSO8972A</b>

REVISIONS			
REV	DESCRIPTION	DATE	APPROVED
D	Added pull-ups to HS, VS		

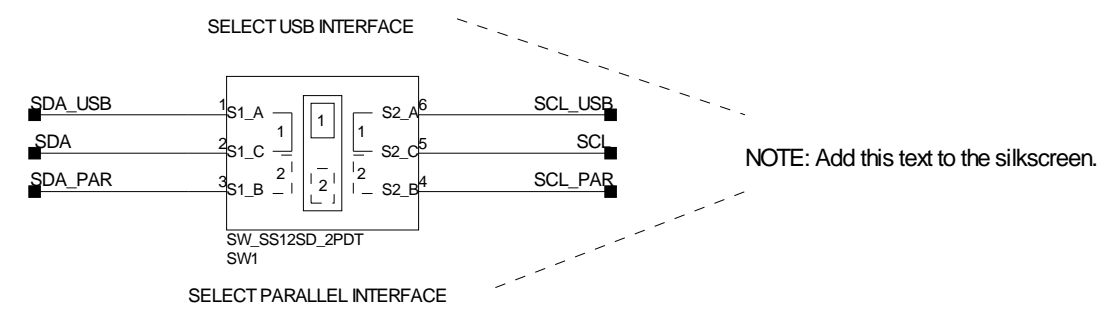
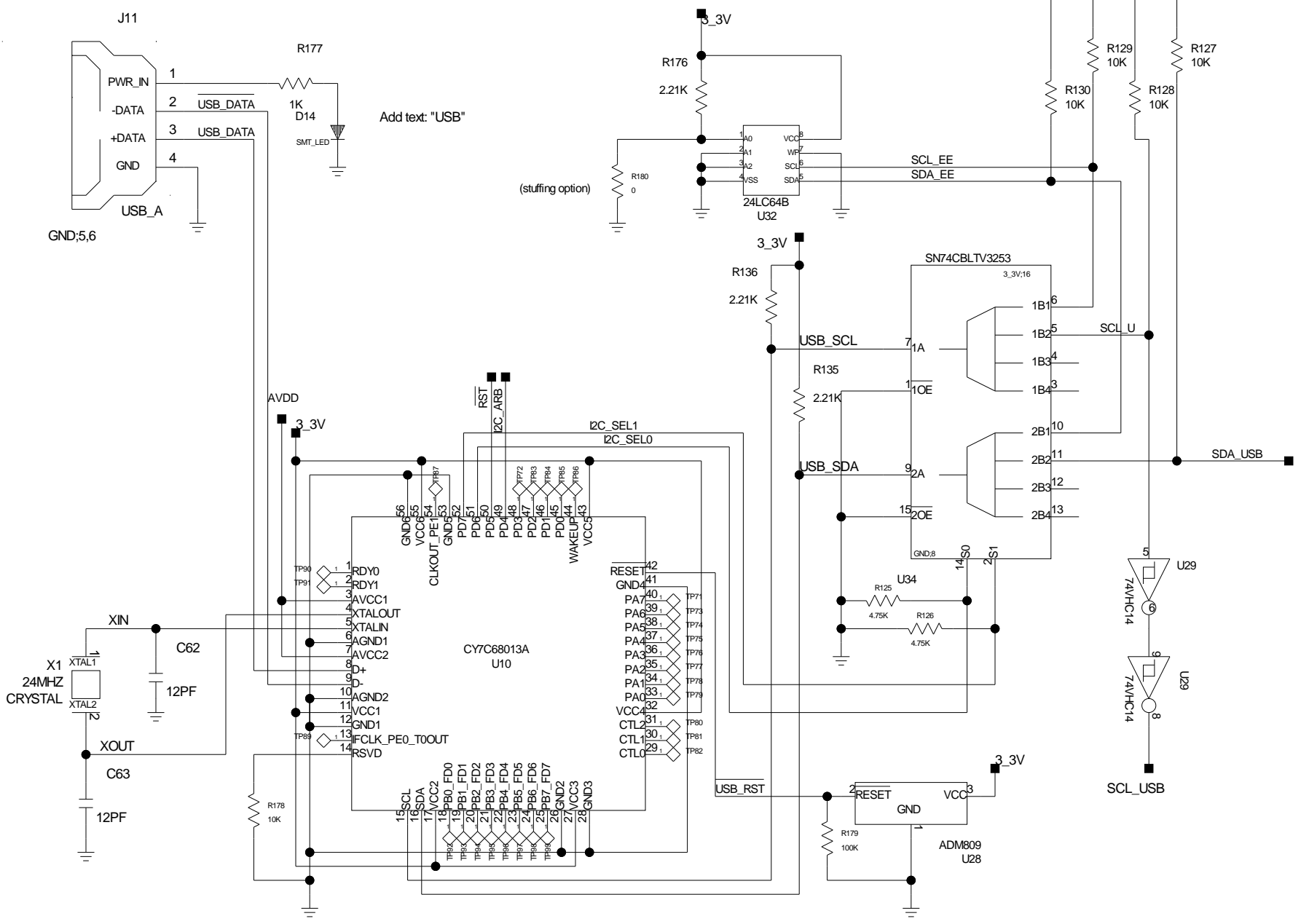
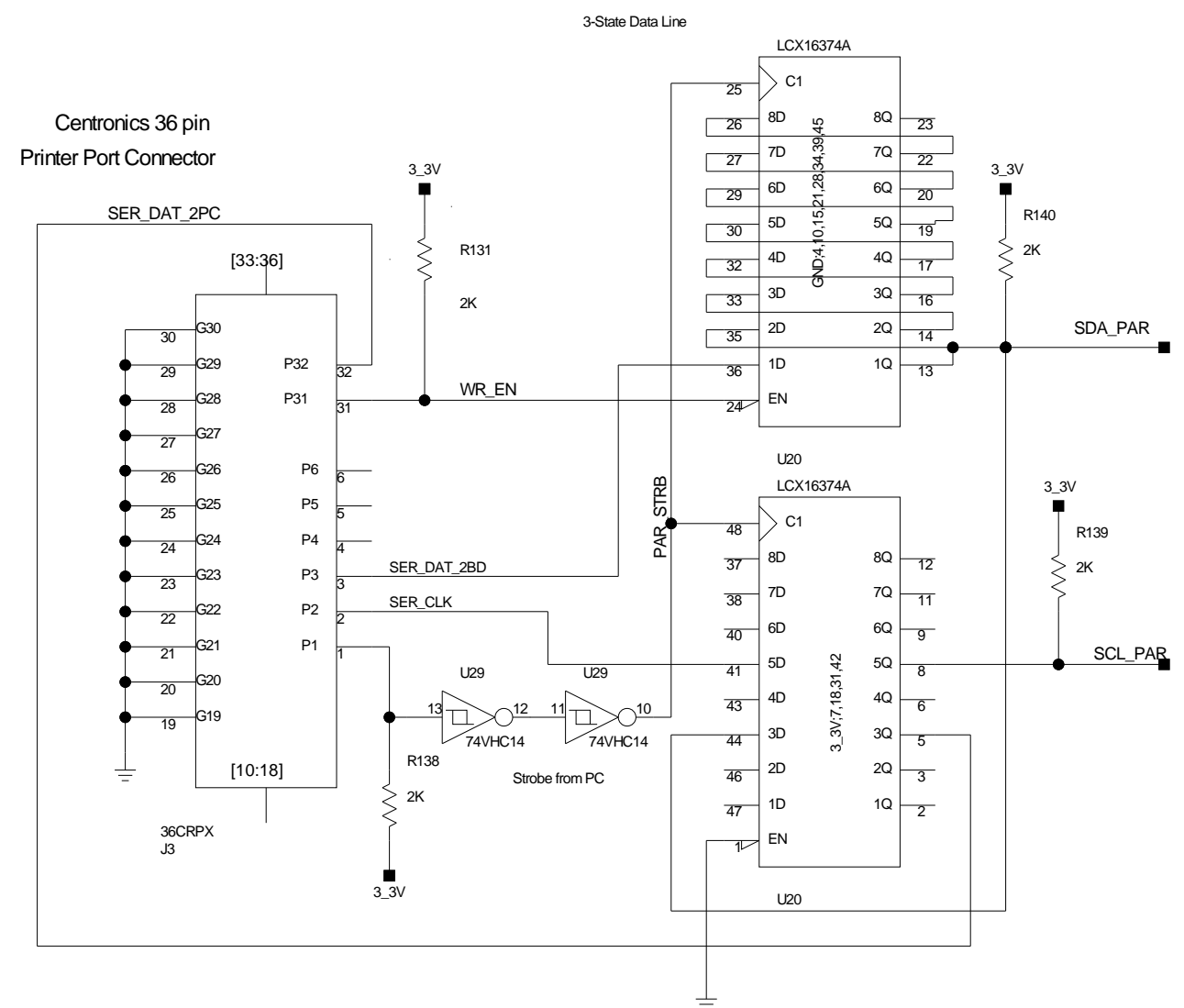


**ANALOG OUTPUT**

	<b>HSC GREENSBORO</b> 7910 TRIAD CENTER DRIVE GREENSBORO NC 27409		TITLE <b>ADI HDMI TX REFERENCE DESIGN</b> (AD9889B, AD9387, AD7520)	
	DATE:	SHEET 6 OF 8	DRAWN BY: D. JONES	DRAWING NUMBER <b>GSO8972A</b> REV <b>D</b>

REVISIONS			
REV	DESCRIPTION	DATE	APPROVED
D	Changed USB controller CY7C68013A		

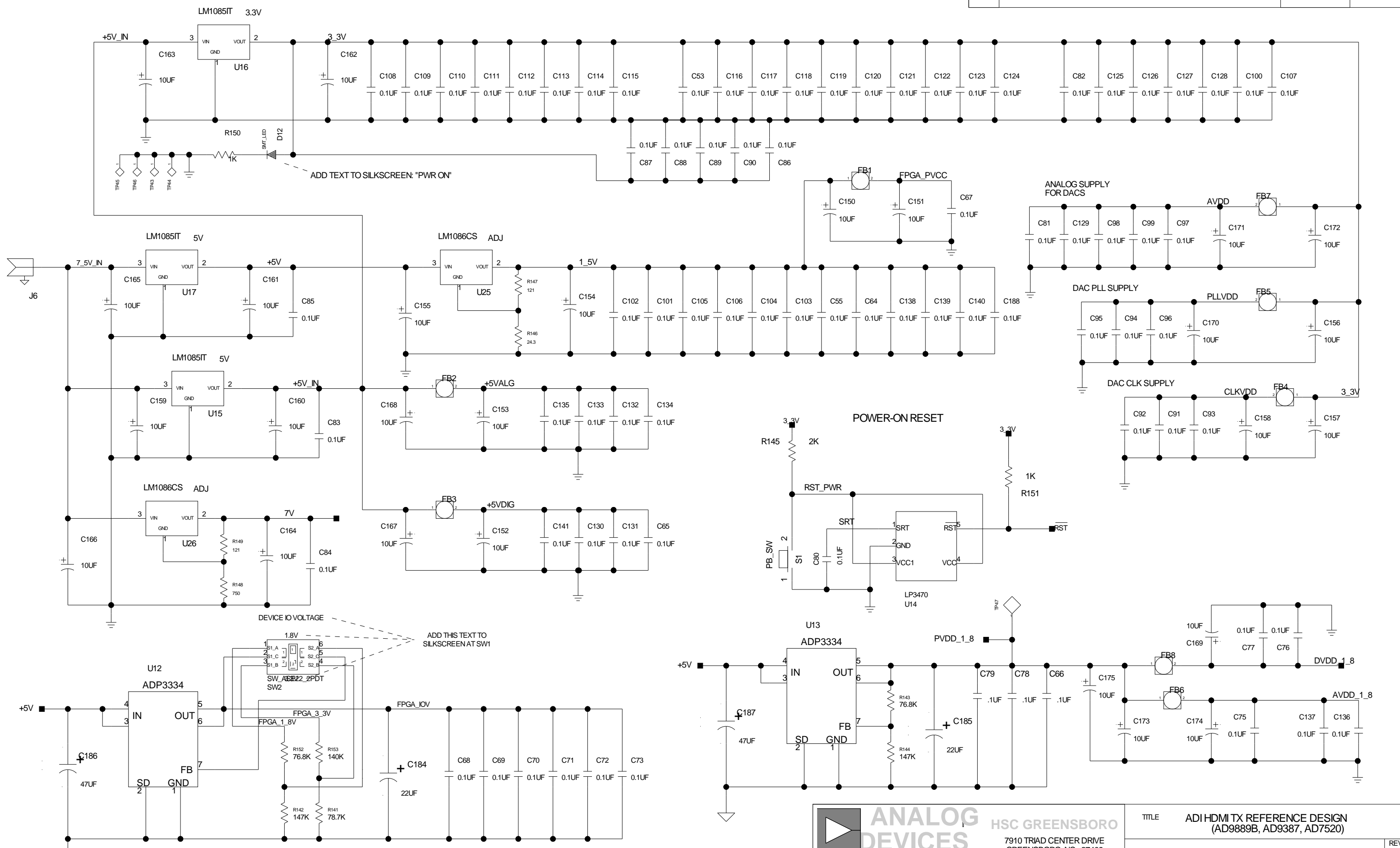
Serial Interface Circuit



PARALLEL & USB INTERFACE

	<b>HSC GREENSBORO</b> 7910 TRIAD CENTER DRIVE GREENSBORO NC 27409		TITLE <b>ADI HDMI TX REFERENCE DESIGN</b> (AD9889B, AD9387, AD7520)
	DATE:	SHEET 7 OF 8	DRAWN BY: D. JONES
			REV <b>D</b>

REVISIONS			
REV	DESCRIPTION	DATE	APPROVED



7910 TRIAD CENTER DRIVE  
GREENSBORO NC 27409

TITLE ADI HDMI TX REFERENCE DESIGN  
(AD9889B, AD9387, AD7520)

DRAWING NUMBER GSO8972A

DATE: SHEET 8 OF 8 DRAWN BY: D. JONES

REV D