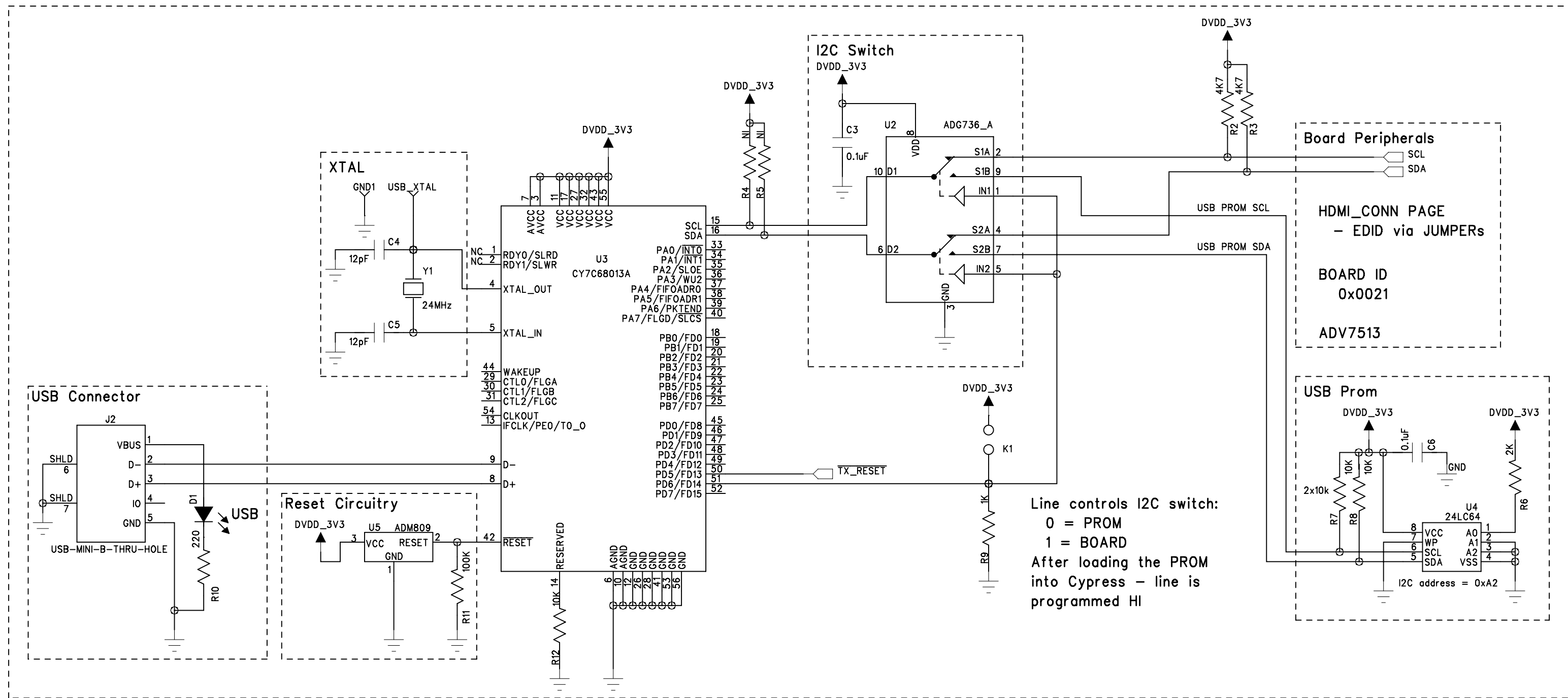
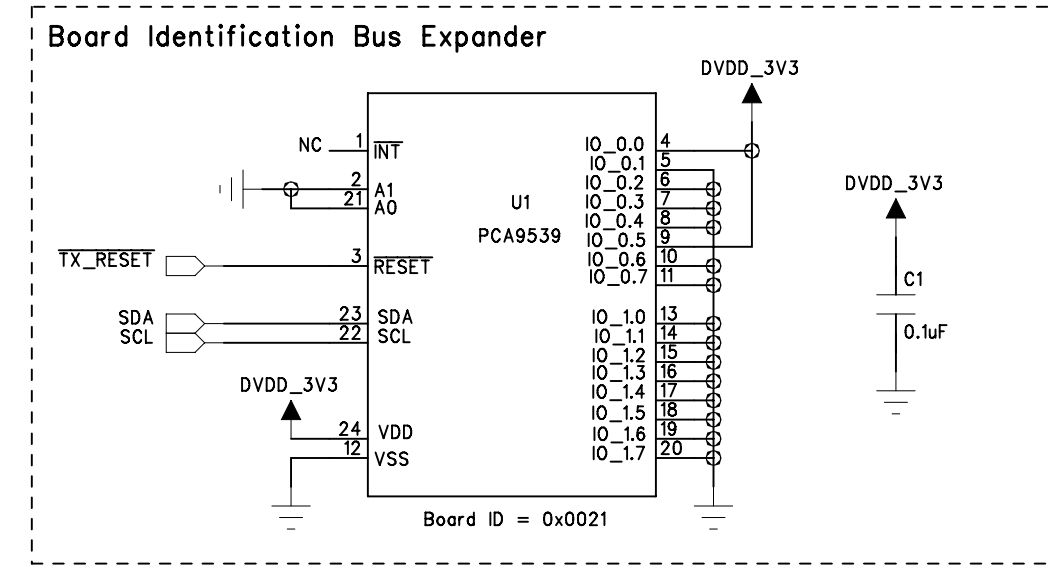
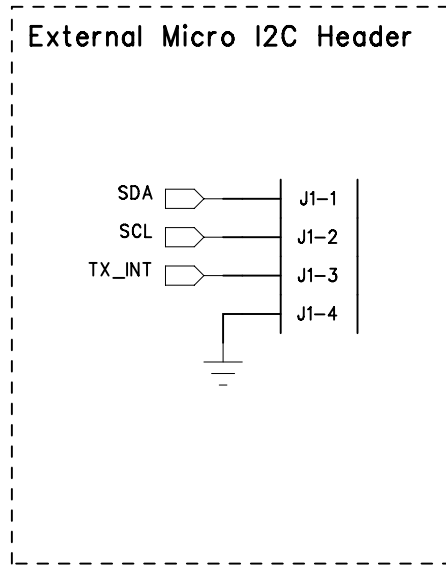
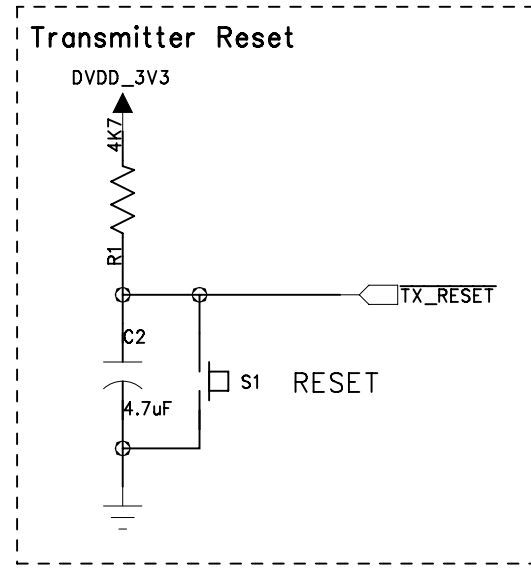
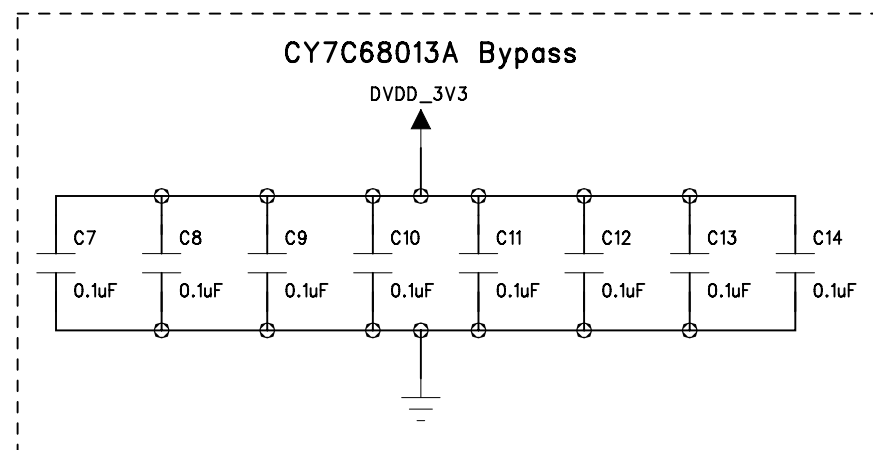


REVISION RECORD			
LTR	ECO NO:	APPROVED:	DATE:

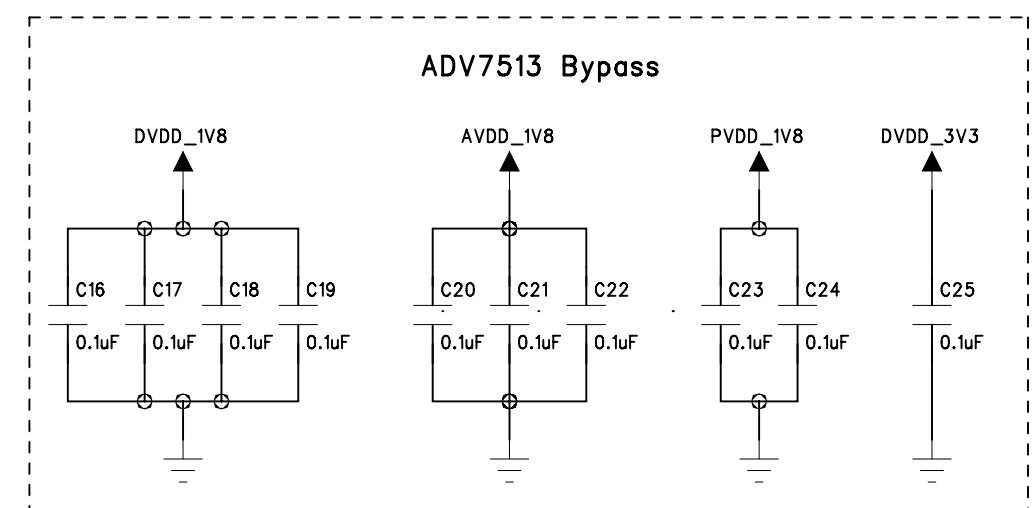
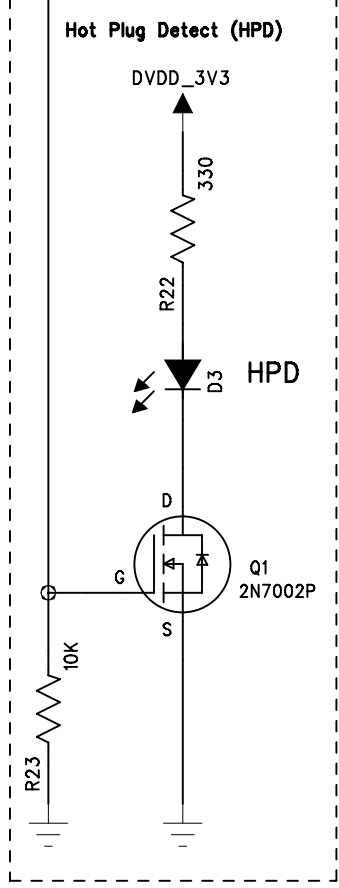
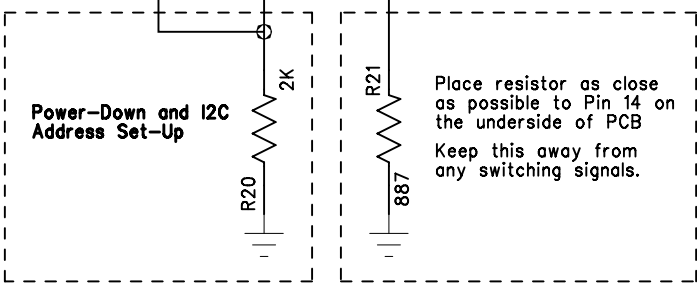
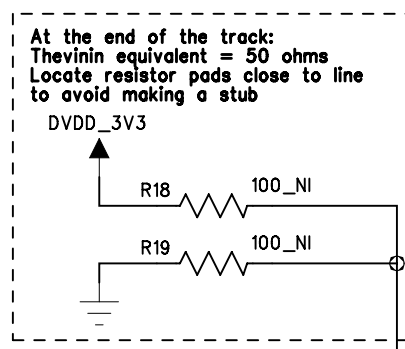
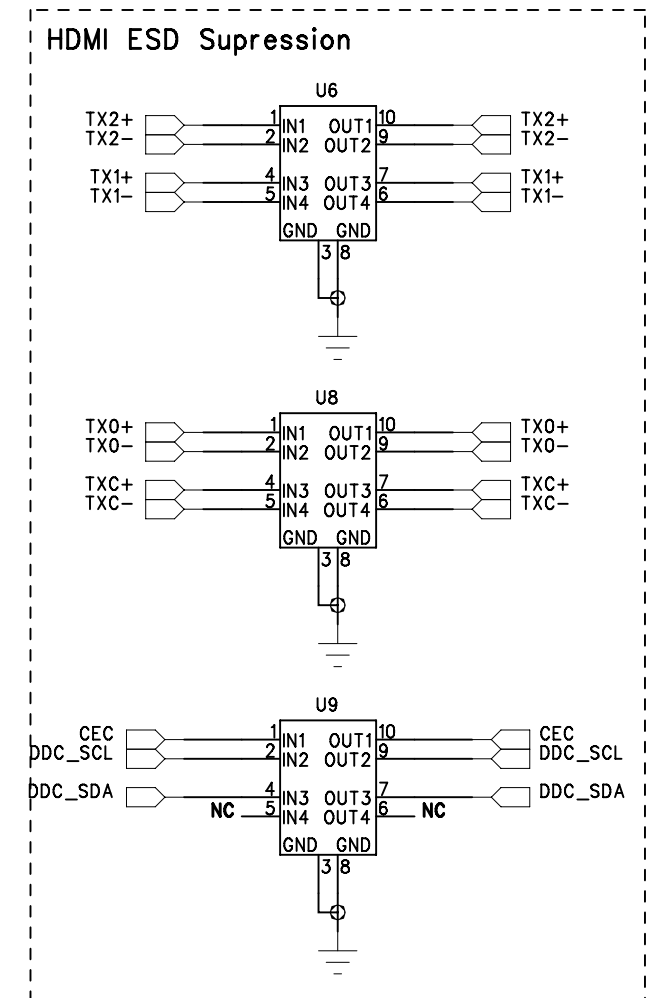
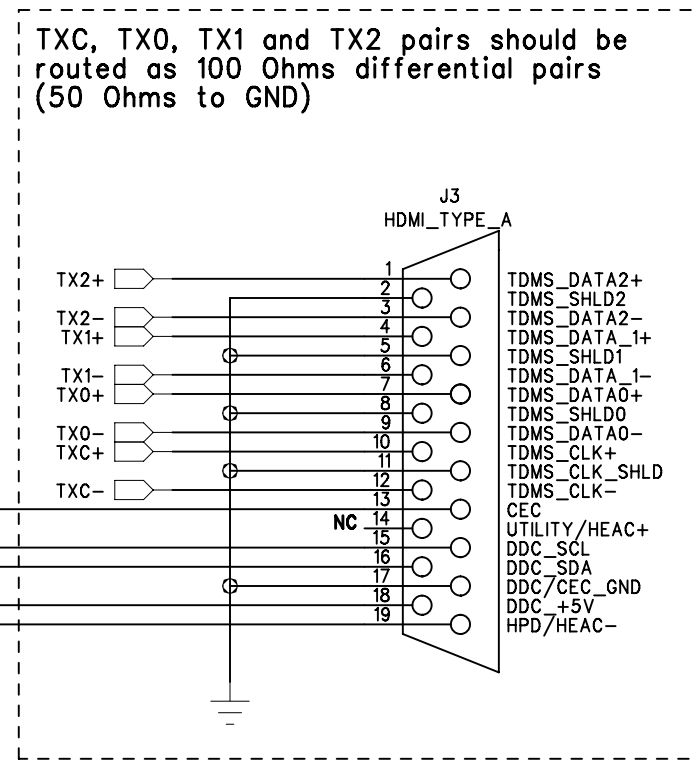
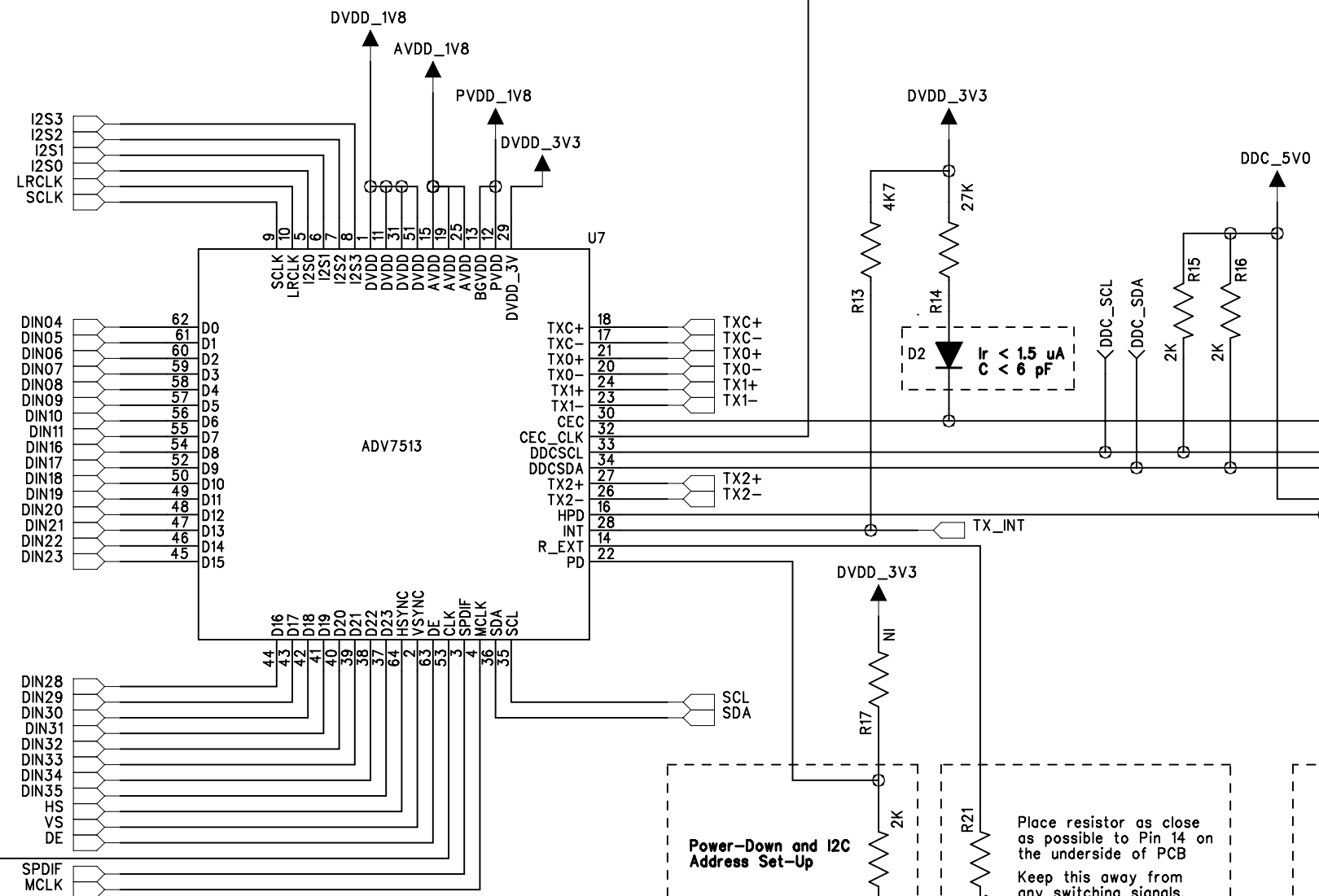
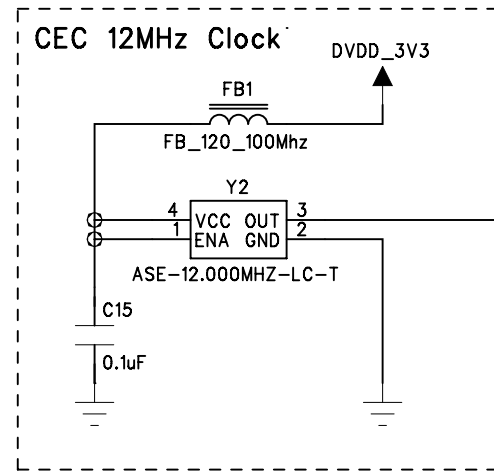


Line controls I2C switch:
 0 = PROM
 1 = BOARD
 After loading the PROM into Cypress - line is programmed HI



COMPANY: Analog Devices			
TITLE: ATV Group ADV7513 HDMI Tx Evaluation Board: USB+RESET			
DRAWN: R.N. Matsick	DATED: 02/06/12	CODE:	SIZE:
CHECKED:	DATED:	DRAWING NO: GS10070A	
QUALITY CONTROL:	DATED:	REV: B	
RELEASED:	DATED:	SCALE:	SHEET: 0f 4

REVISION RECORD			
LTR	ECO NO:	APPROVED:	DATE:



COMPANY: Analog Devices			
TITLE: ATV Group ADV7513 HDMI Tx Evaluation Board ADV7513, ESD, and HDMI Connector			
DRAWN: R.N. Matsick	DATED: 03/29/12	CODE:	SIZE:
CHECKED:	DATED:	DRAWING NO: GS10070A	
QUALITY CONTROL:	DATED:	REV: B	
RELEASED:	DATED:	SCALE:	SHEET: 2 OF 4

6

5

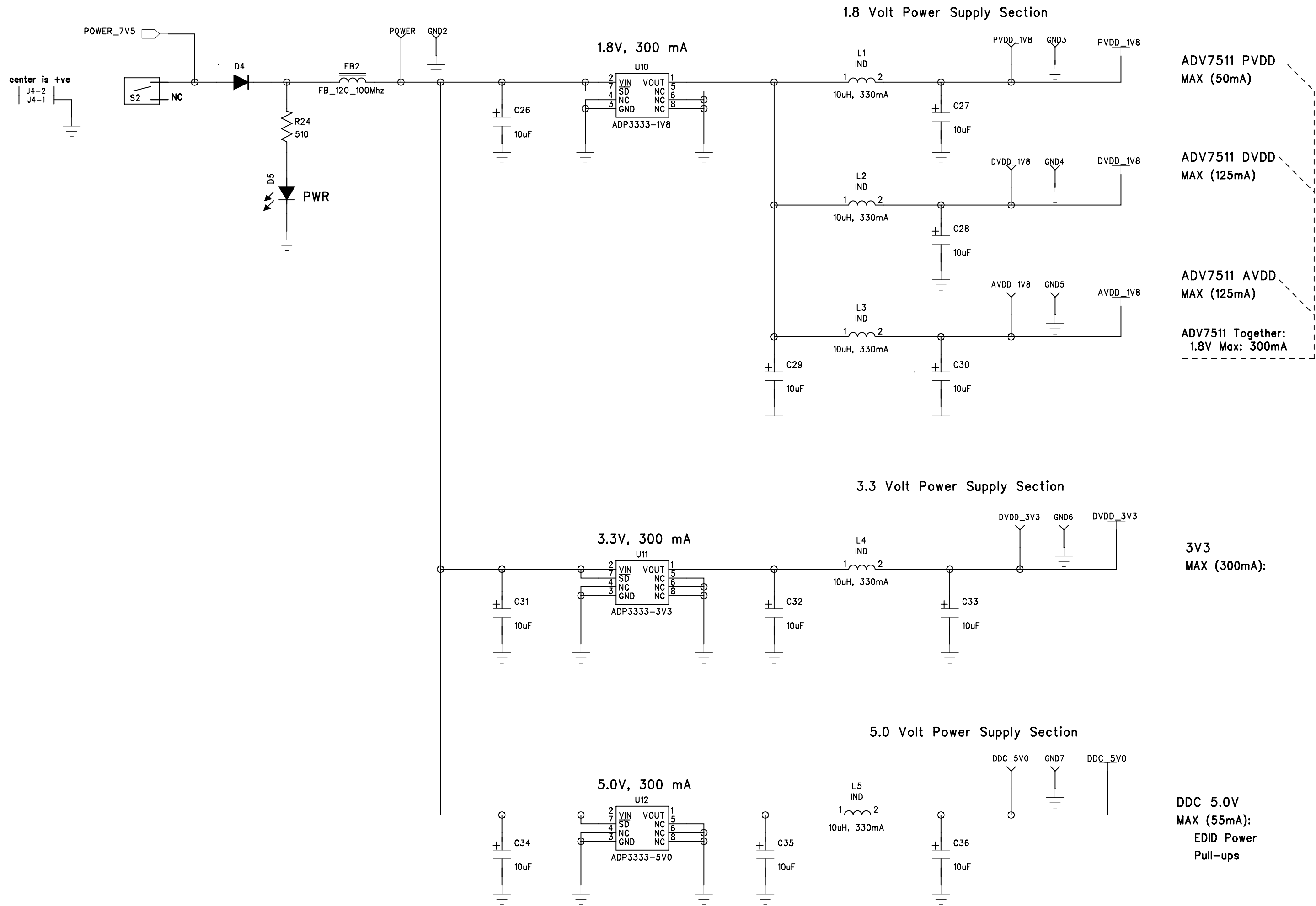
4

3

2

1

REVISION RECORD			
LTR	ECO NO:	APPROVED:	DATE:



ADV7511 PVDD
MAX (50mA)

ADV7511 DVDD
MAX (125mA)

ADV7511 AVDD
MAX (125mA)

ADV7511 Together:
1.8V Max: 300mA

3V3
MAX (300mA):

DDC 5.0V
MAX (55mA):
EDID Power
Pull-ups

COMPANY: Analog Devices			
TITLE: ATV Group ADV7513 HDMI Tx Evaluation Board: Board Power Supplies			
DRAWN: R.N. Matsick	DATED: 02/07/12	CODE:	SIZE:
CHECKED:	DATED:	DRAWING NO: GS10070A	
QUALITY CONTROL:	DATED:	REV: B	
RELEASED:	DATED:	SCALE:	SHEET: 2 OF 4

6

5

4

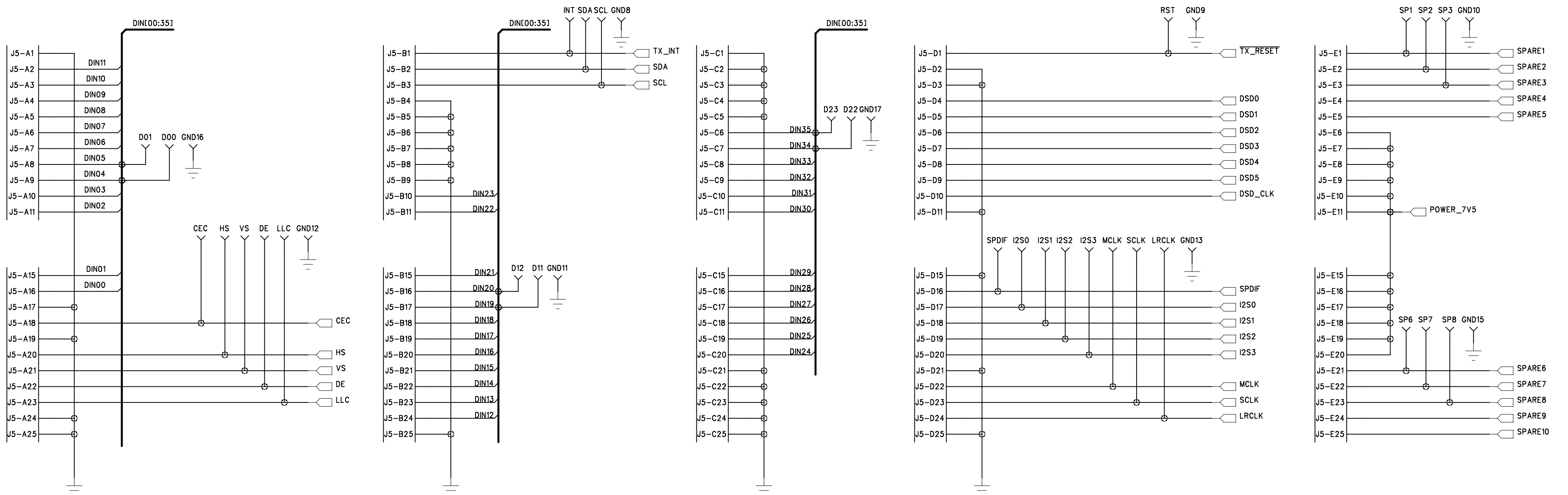
3

2

1

REVISION RECORD			
LTR	ECO NO:	APPROVED:	DATE:

110-Pin Connector Female



COMPANY: Analog Devices			
TITLE: ATV Group ADV7513 HDMI Tx Evaluation Board Board-Board Connector			
CODE:	SIZE:	DRAWING NO: GS10070A	REV: B
SCALE:		SHEET: 4 OF 4	

DRAWN: R.N. Matsick	DATED: 03/29/12
CHECKED:	DATED:
QUALITY CONTROL:	DATED:
RELEASED:	DATED:

D

C

B

A

D

C

B

A