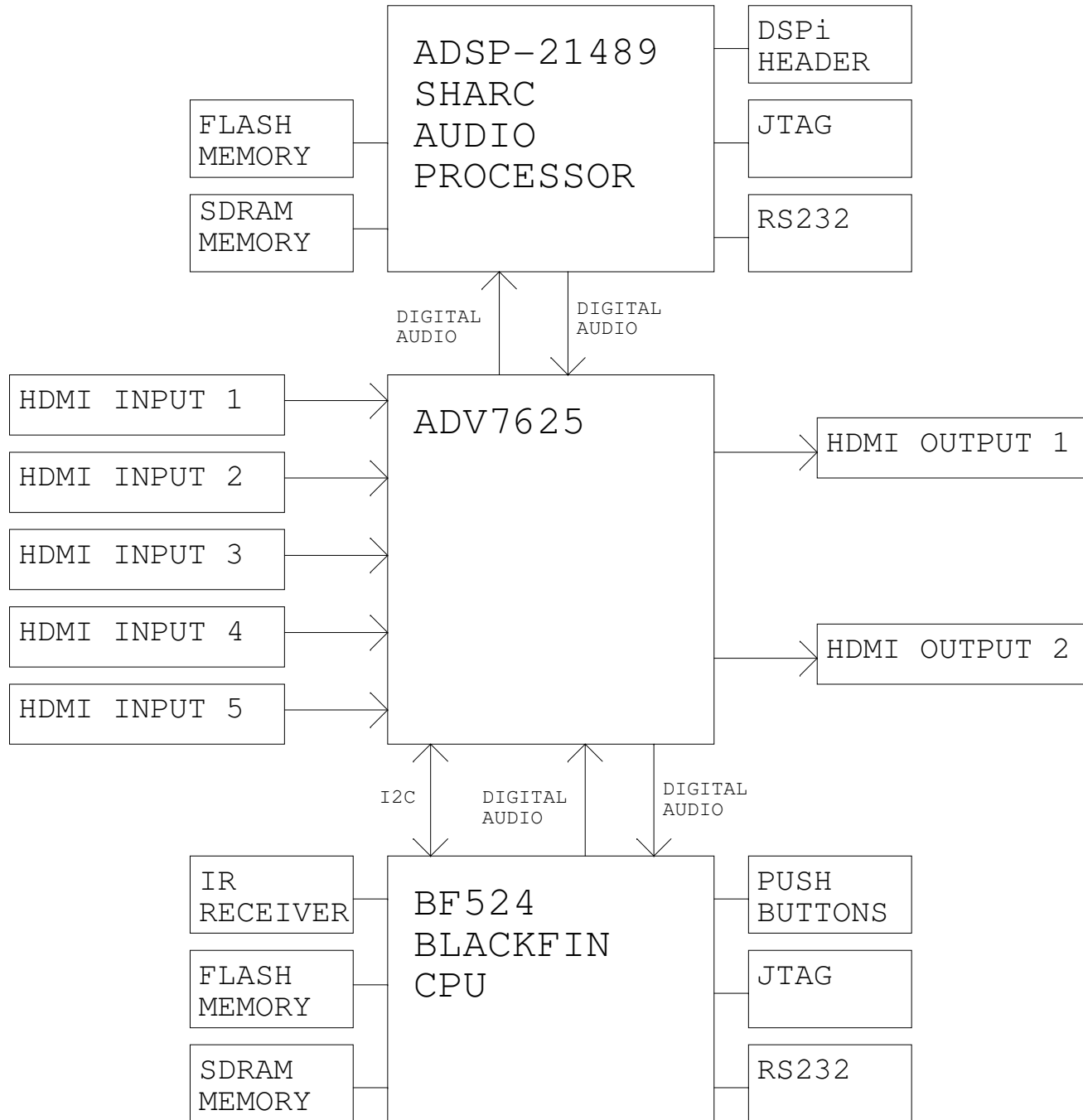
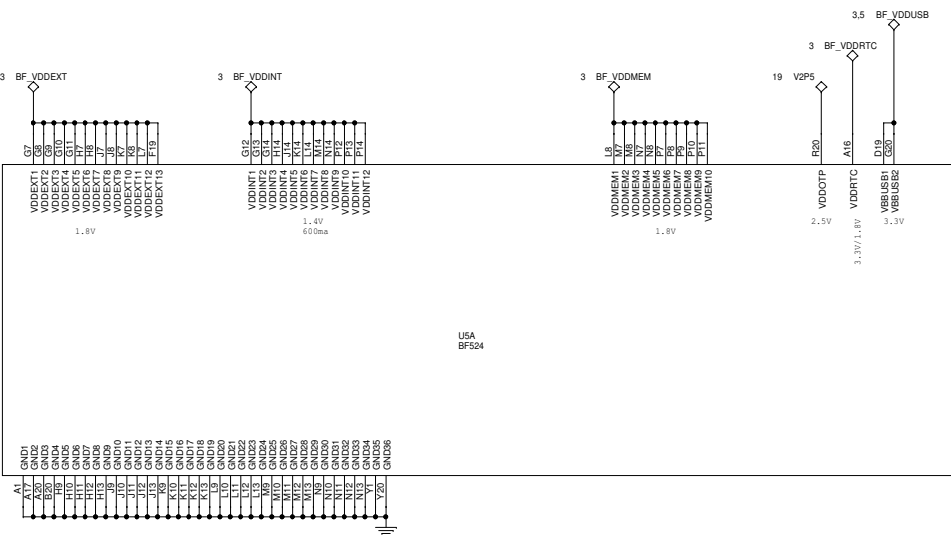
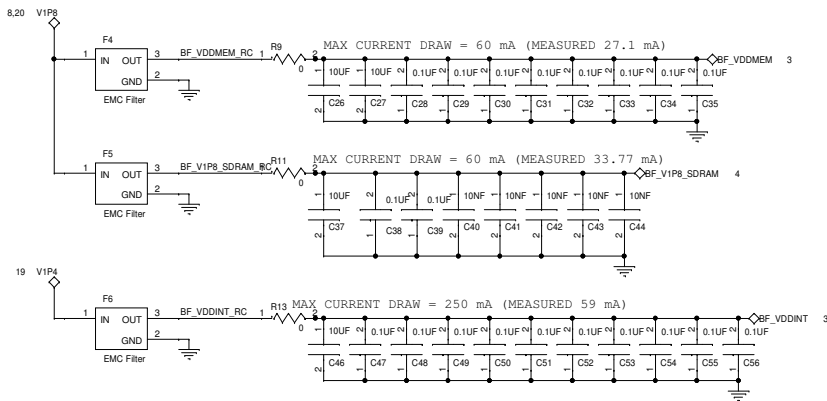
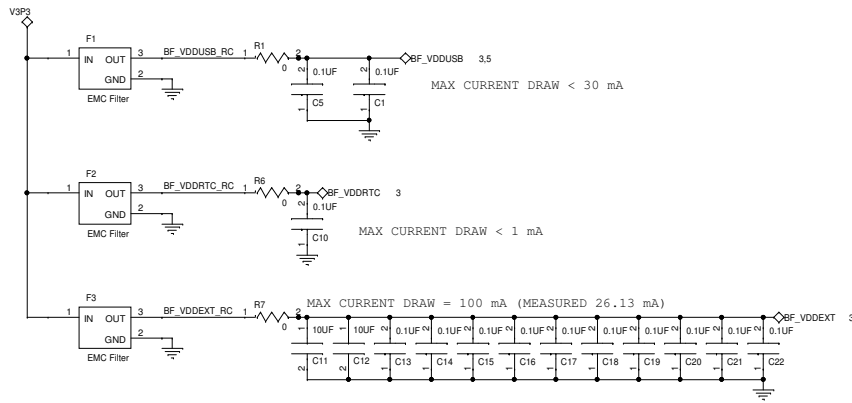


# Advantiv (TM) EVAL-ADV7625-SMZ Video Evaluation Board

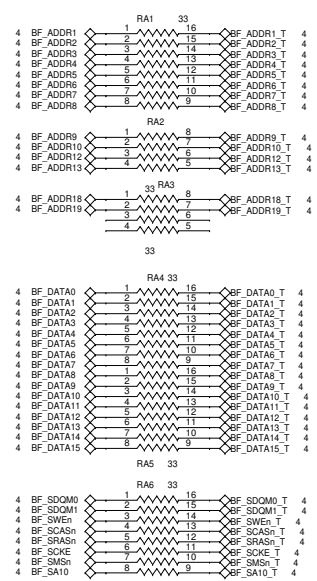
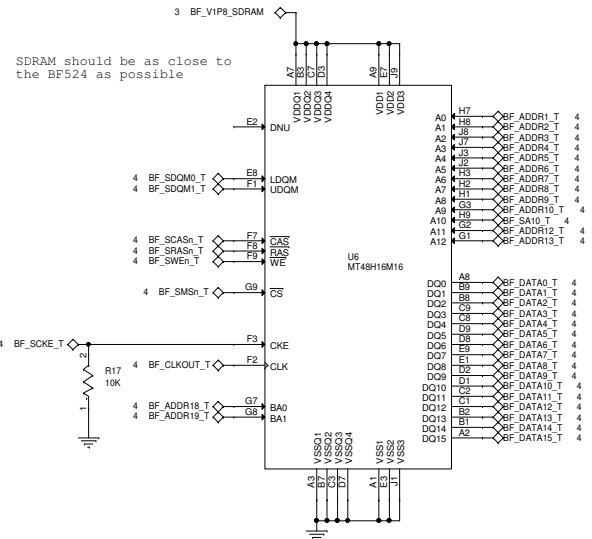
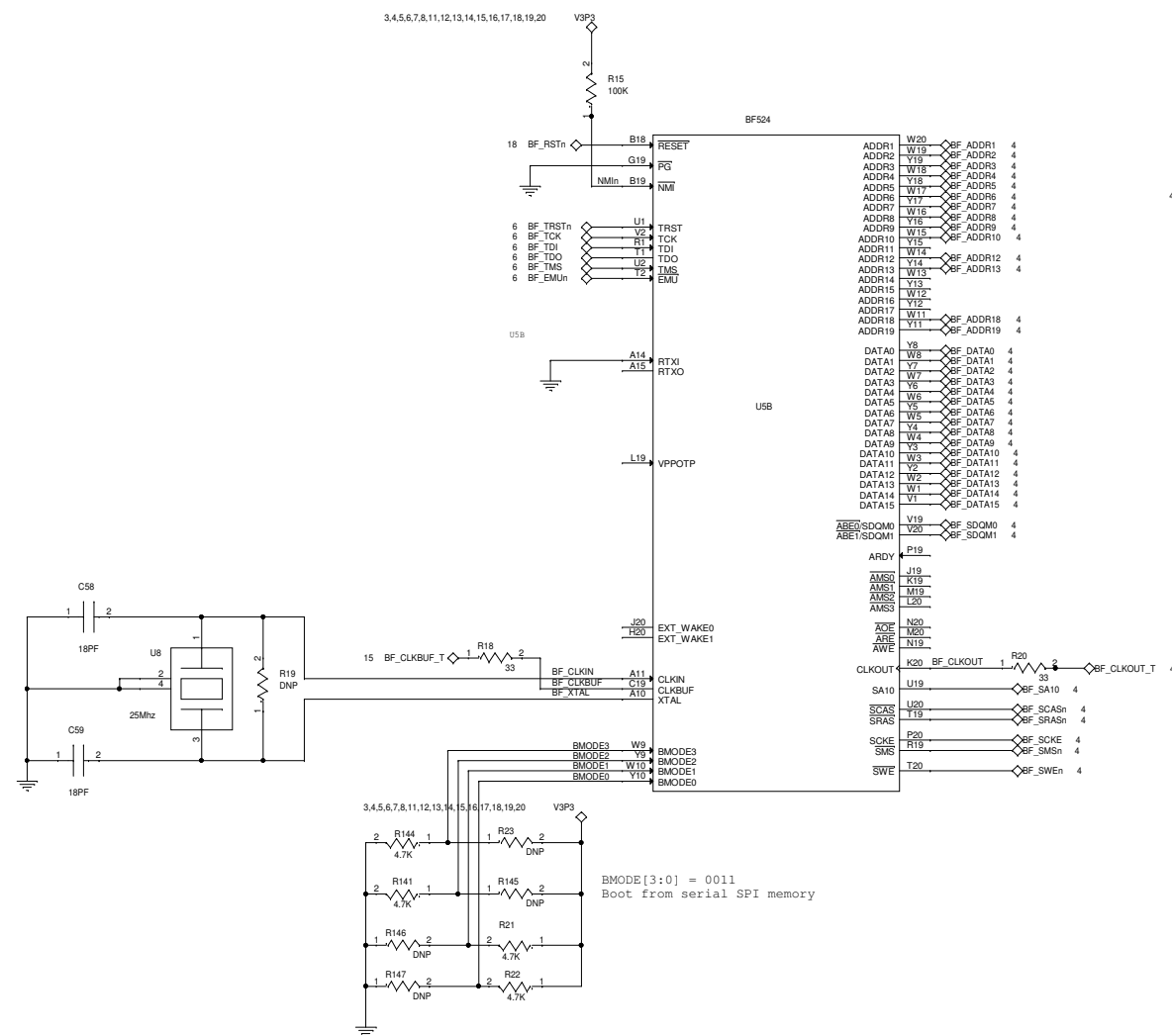
## Change Log

Revision	Date	Description
0.1	2012/07/16	Initial Release
0.1	2014/01/20	Public Release. Removed unnecessary notes from the schematic.
0.1	2015/08/11	Added note that ADSP-21489 pins 137,139,140,142,145 must be connected to GND.

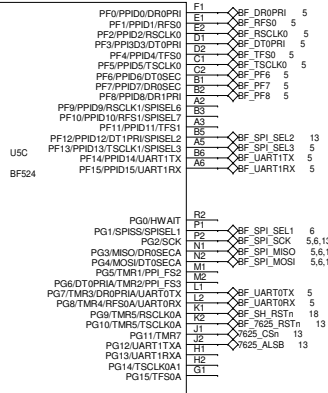
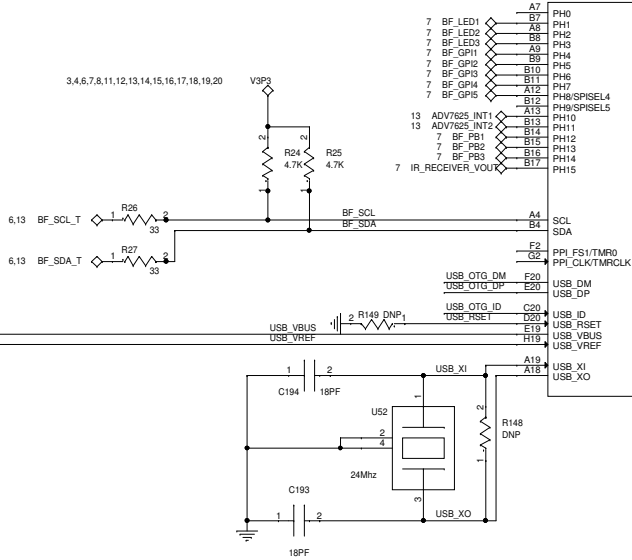
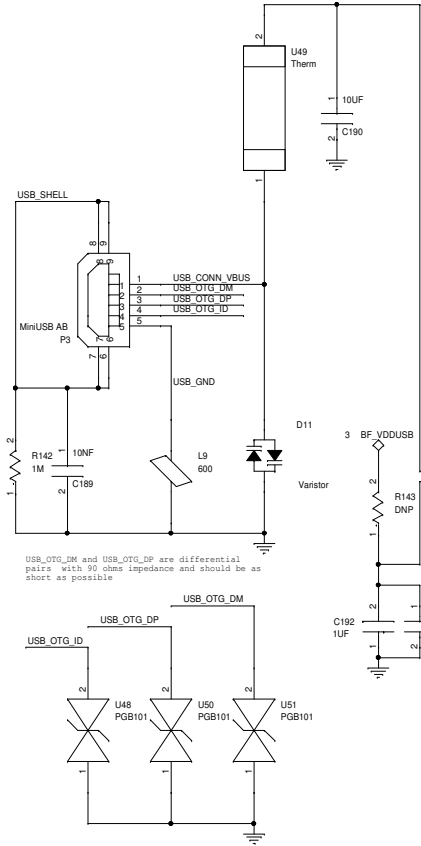




Title		BF524 POWER	
Size	Document Number	Advantiv™ EVAL-ADV7825-SM2 Video Evaluation Board	
C			Rev 0.1
Date:	Tuesday, August 11, 2015	Sheet	3 of 20

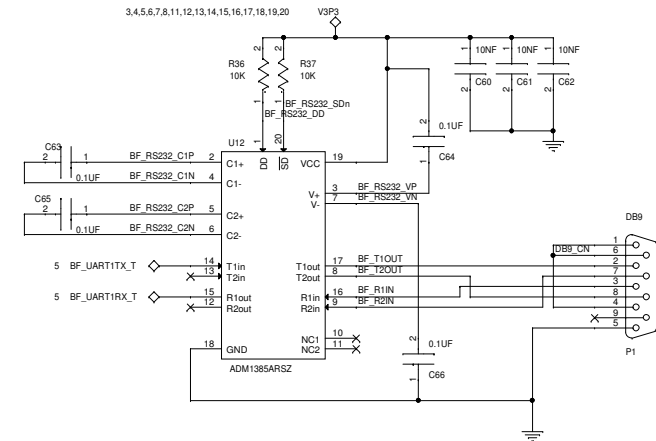
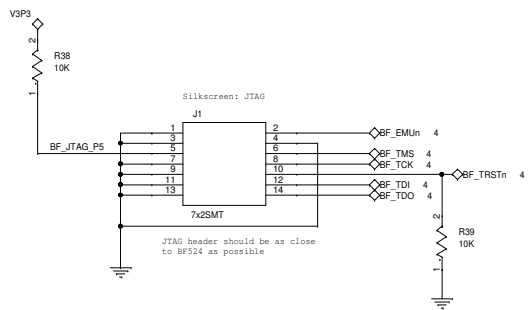


Title		
BF524 SDRAM		
Size	Document Number	Rev
C	Adventiv™ EVAL-ADV7625-SMZ2 Video Evaluation Board	0.1
Date:	Tuesday, August 11, 2015	Sheet 4 of 20

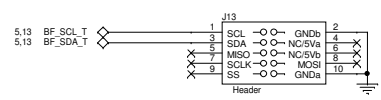
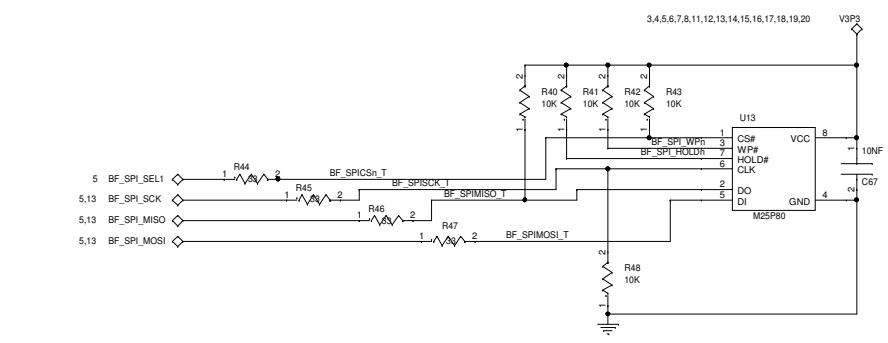


Title		BF524 PERIPHERALS	
Size	Document Number	Advantiv™ EVAL-ADV7625-SMZ2 Video Evaluation Board	
C	Date:	Tuesday, August 11, 2015	Sheet 5 of 20
	Rev	0.1	

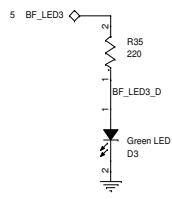
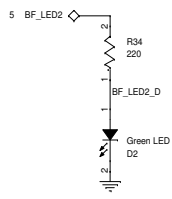
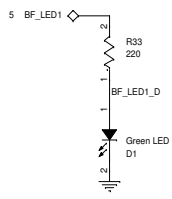
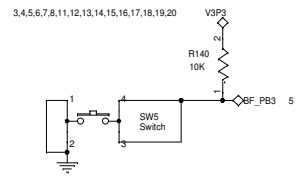
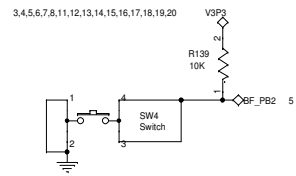
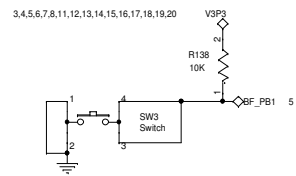
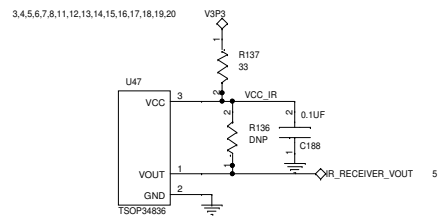
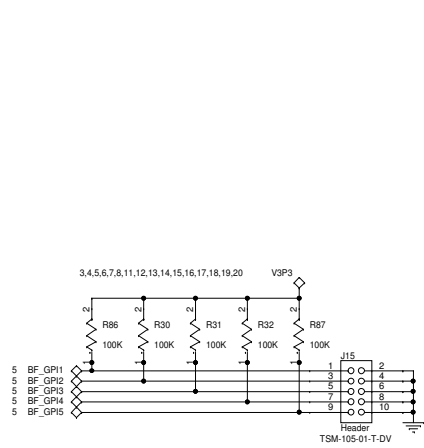
3,4,5,6,7,8,11,12,13,14,15,16,17,18,19,20



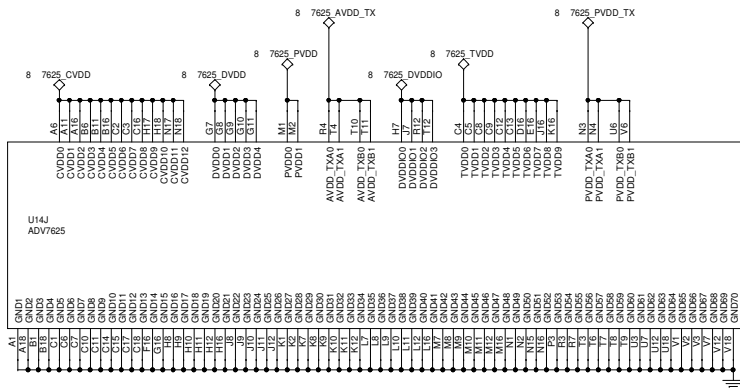
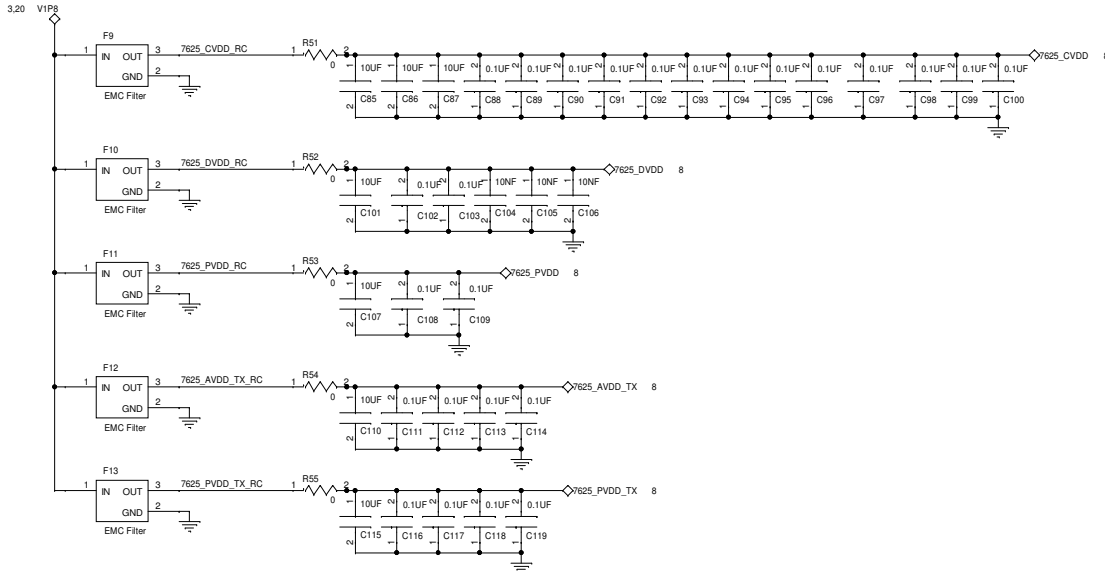
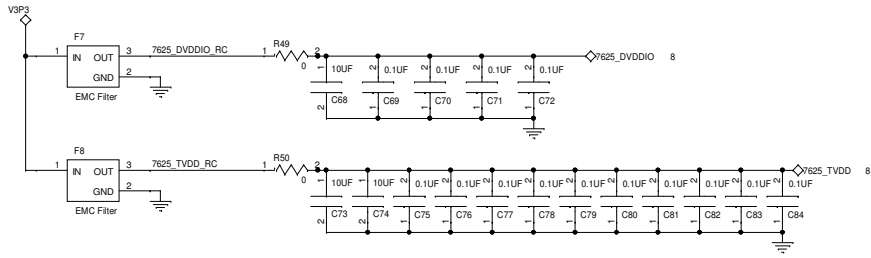
5,13



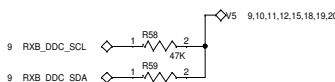
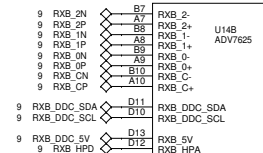
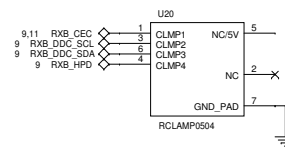
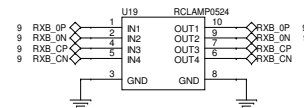
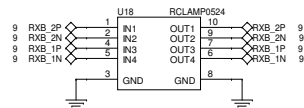
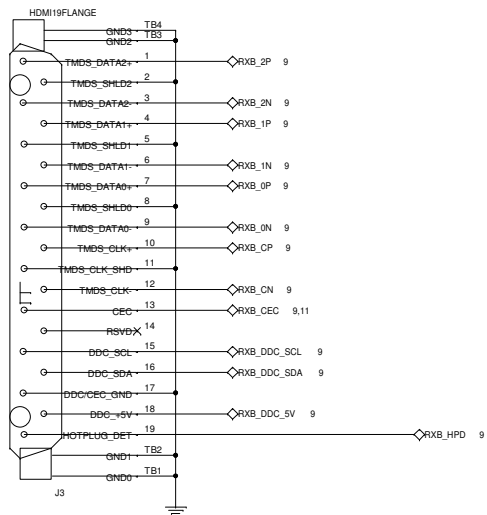
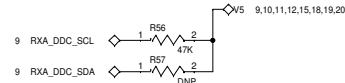
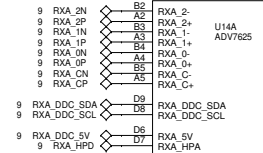
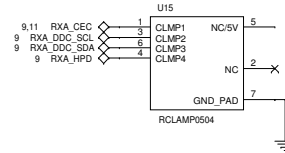
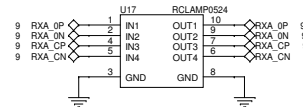
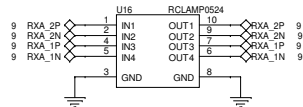
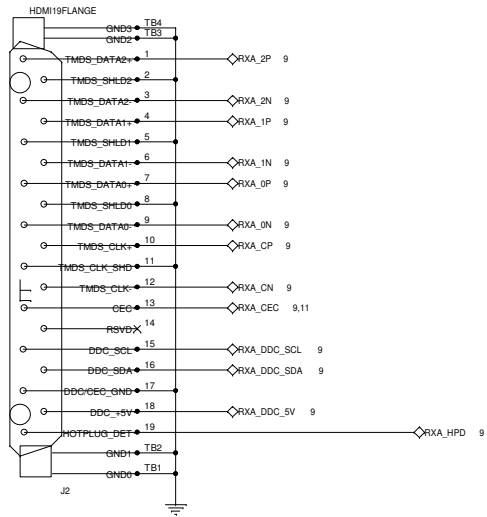
**I2C  
Aardvark  
Connector**

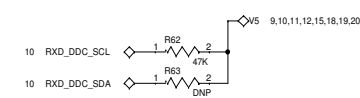
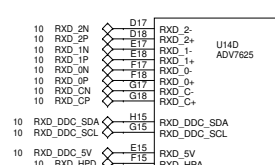
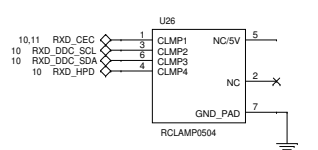
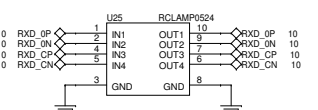
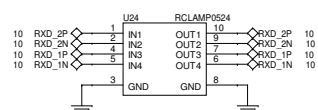
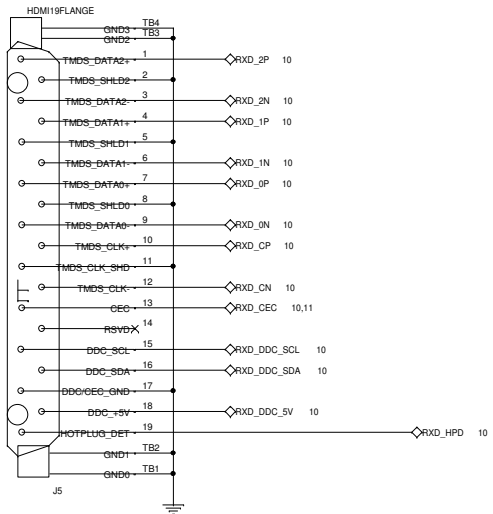
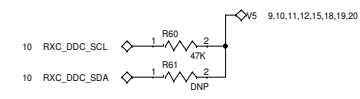
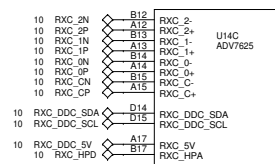
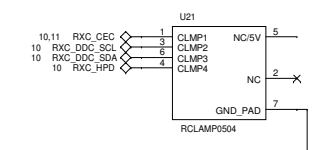
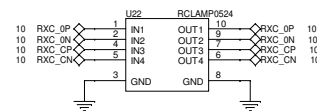
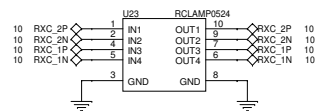
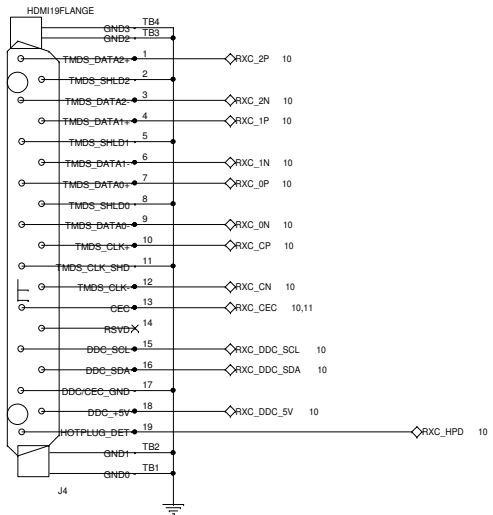


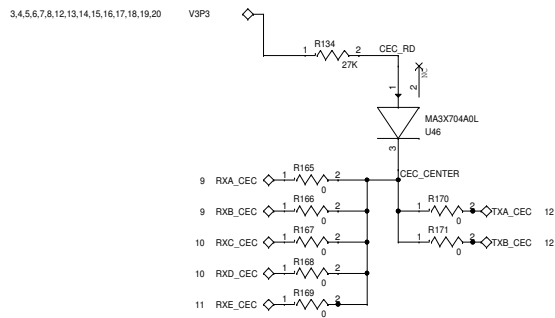
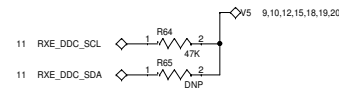
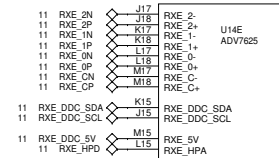
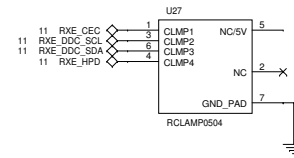
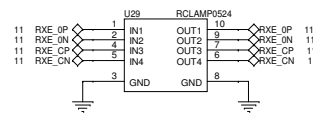
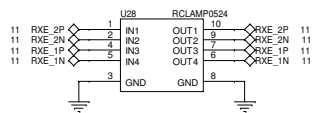
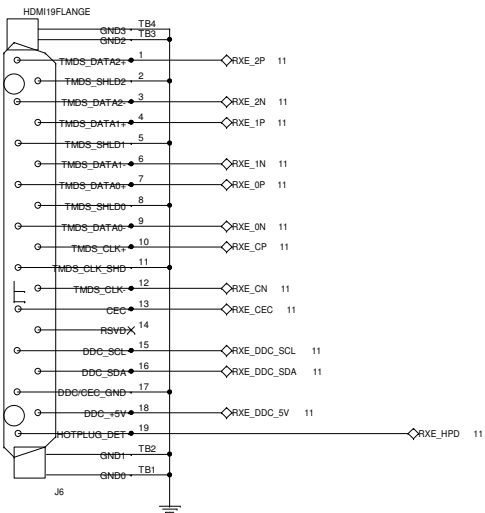
Title		
BF524 GP INPUTS / OUTPUTS		
Size	Document Number	Rev
C	Adventiv™ EVAL-ADV7825-SM2 Video Evaluation Board	0.1
Date:	Tuesday, August 11, 2015	Sheet 7 of 20

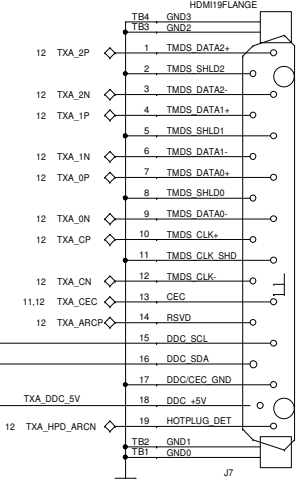
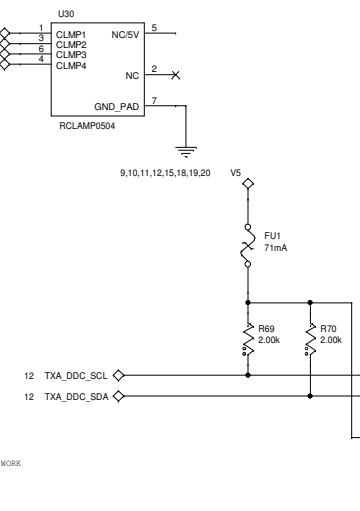
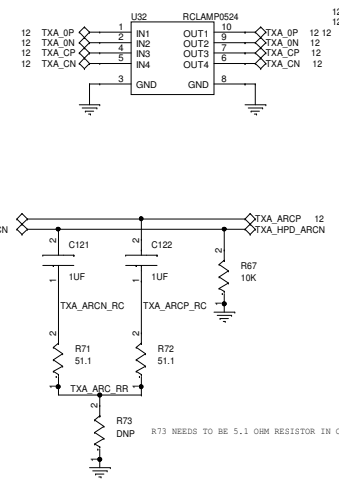
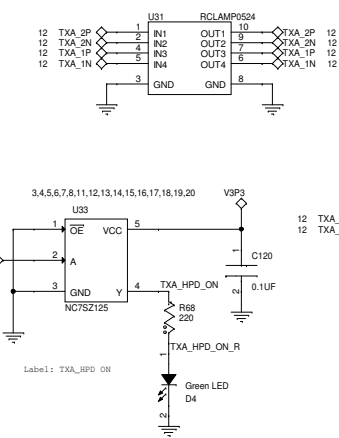
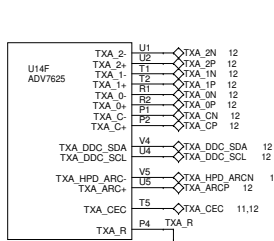




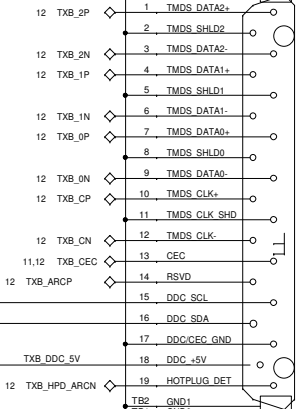
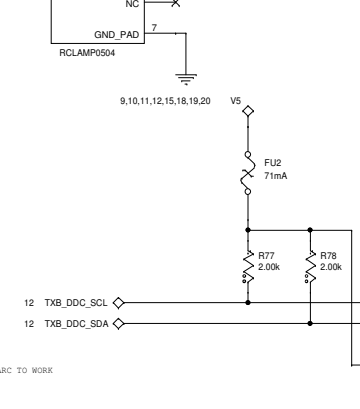
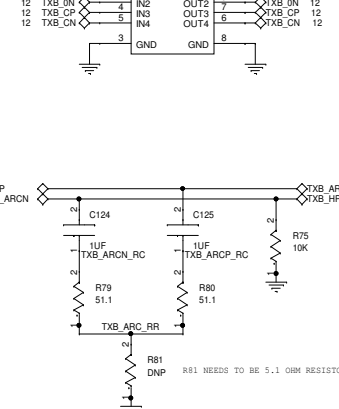
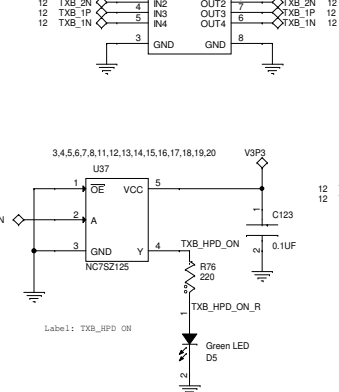
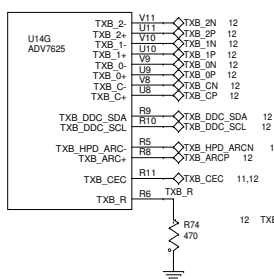






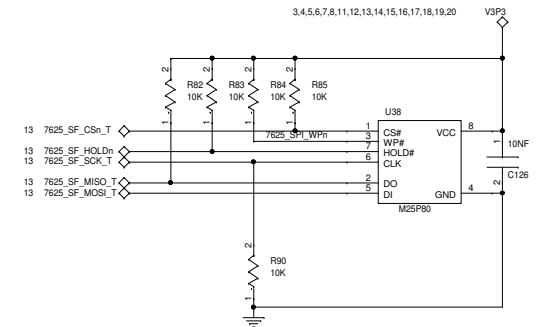
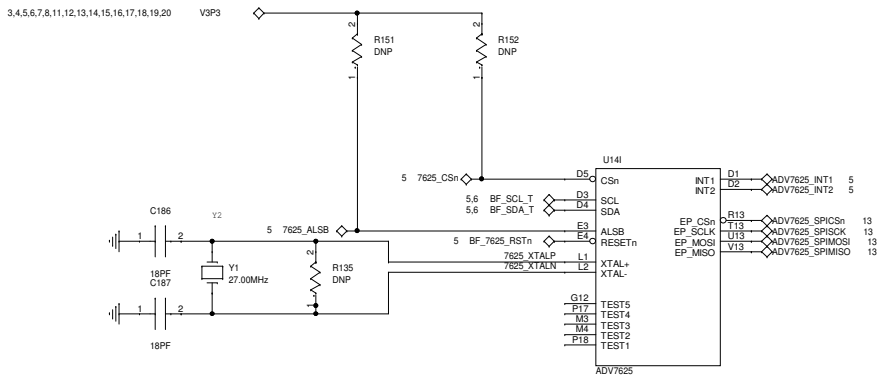
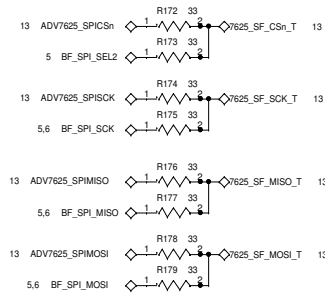
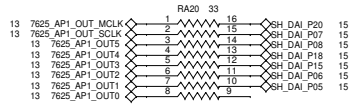
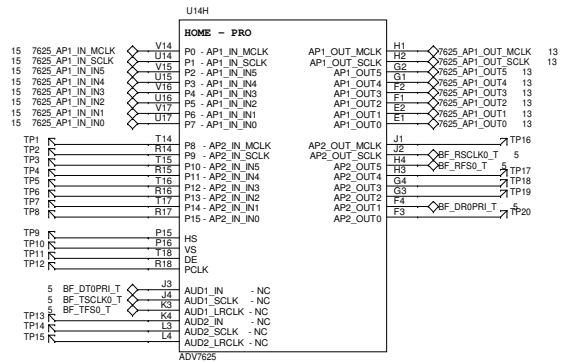


HDMI OUTPUT A



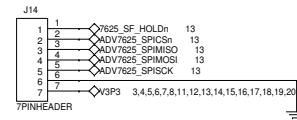
HDMI OUTPUT B

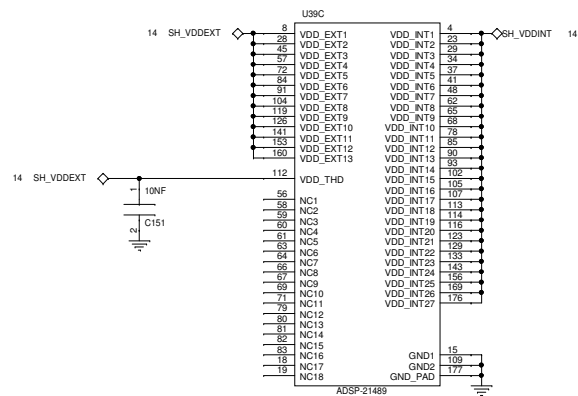
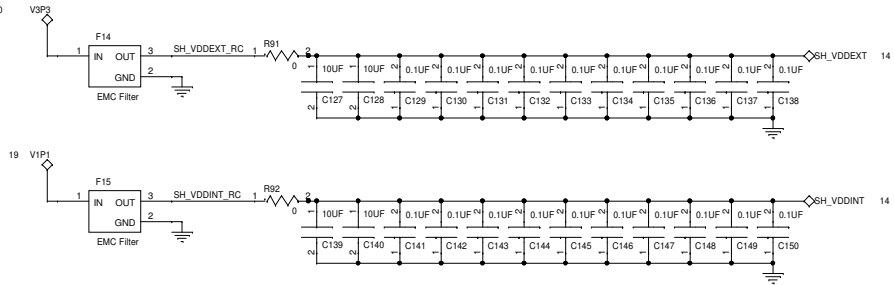
Title		
ADV7625 OUTPUTS A AND B		
Size C	Document Number	Rev 0.1
Adventiv™ EVAL-ADV7625-SM2 Video Evaluation Board		
Date:	Tuesday, August 11, 2015	Sheet 12 of 20



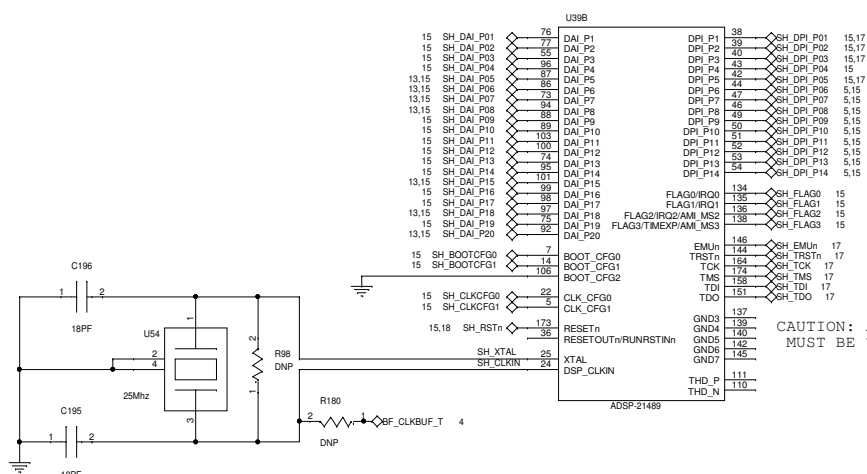
ADV7625 I2C ADDRESS:  
 ALSB Low : IO Map address is 0xB0 (default)  
 ALSB High : IO Map address is 0xB2

8003-STYLE MASTER SPI HEADER

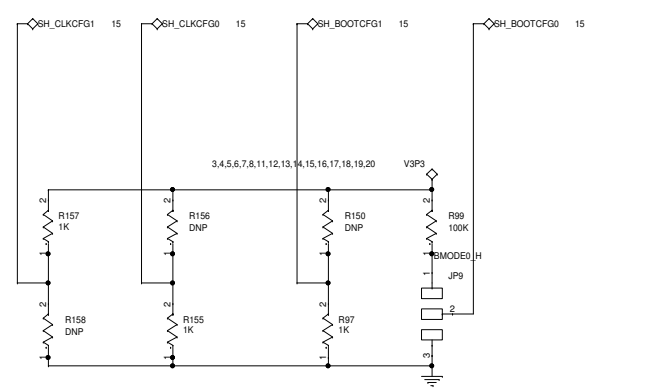
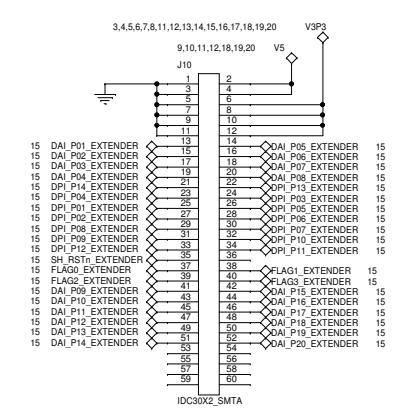
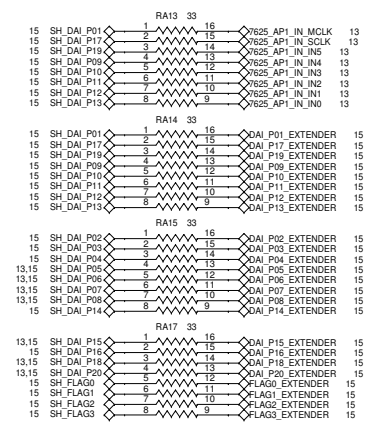
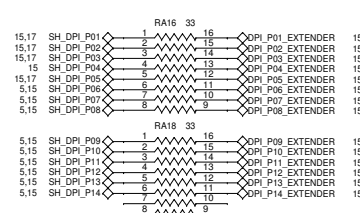
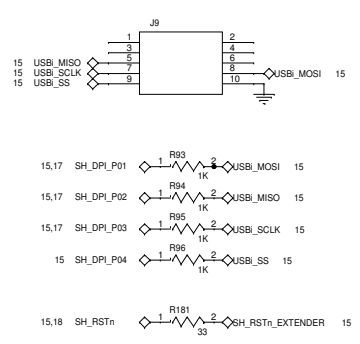


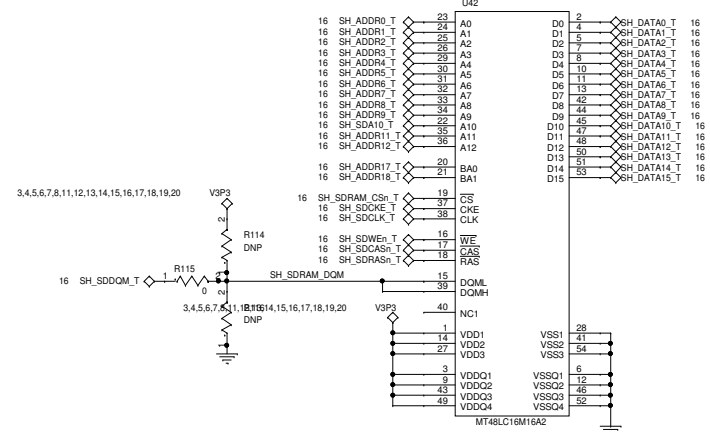
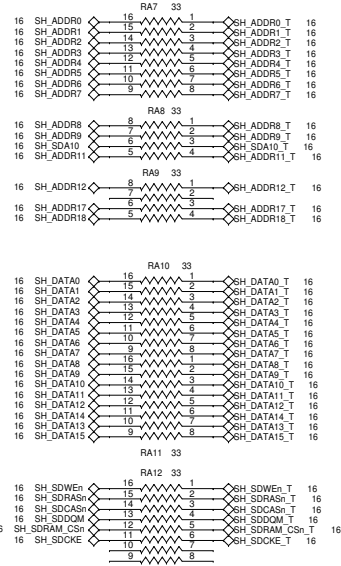
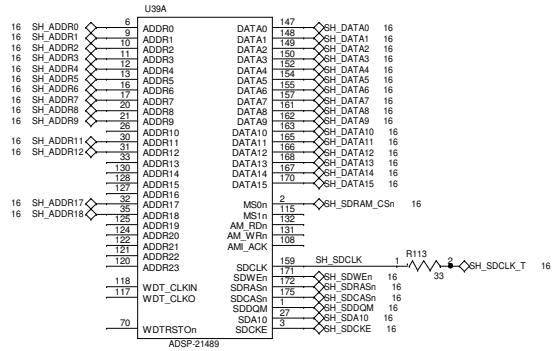


Title		
SHARC POWER		
Size	Document Number	Rev
C	Advantiv™ EVAL-ADV7625-SMZ Video Evaluation Board	0.1
Date:	Tuesday, August 11, 2015	Sheet 14 of 20



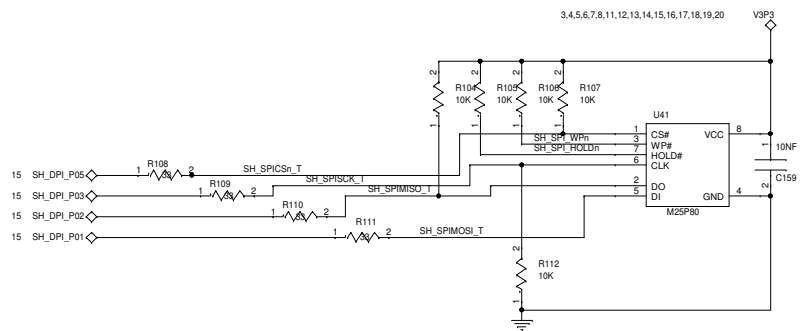
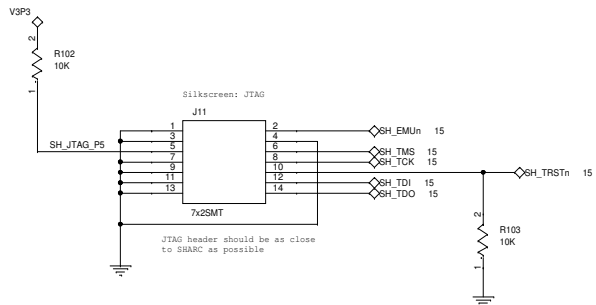
CAUTION: ADSP-21489 PINS 137, 139, 140, 142, 145 MUST BE TIED TO GND!



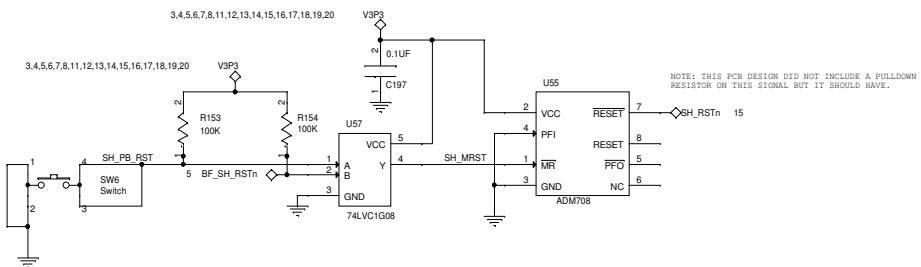
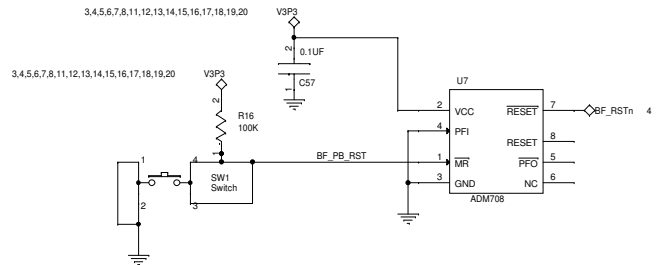
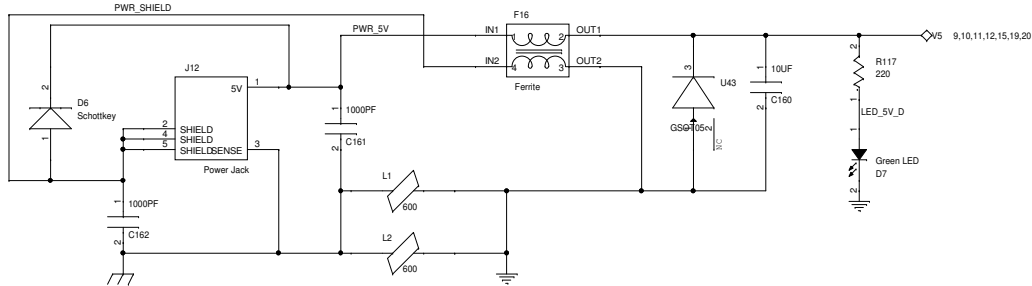
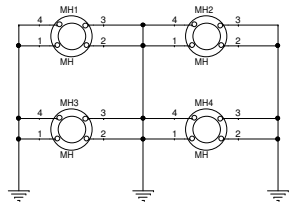




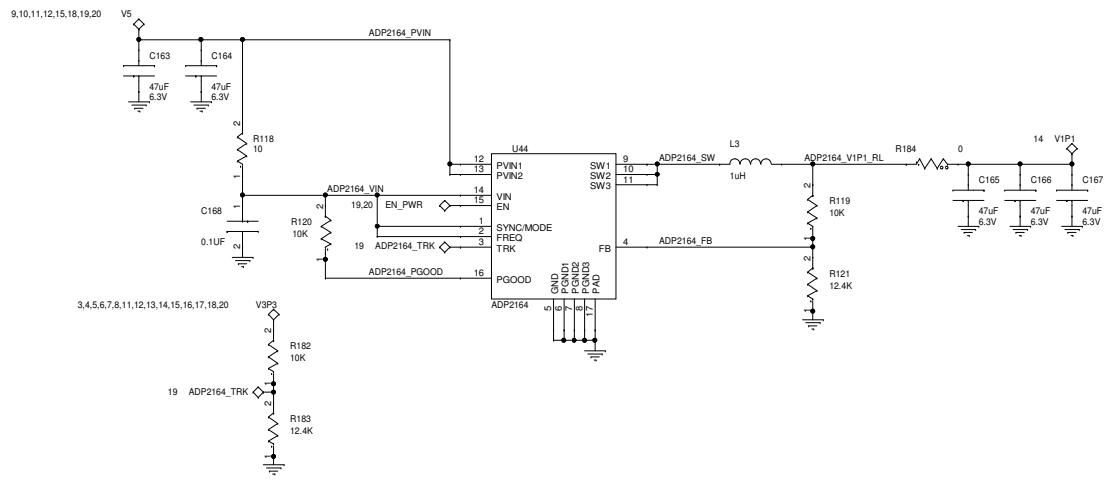
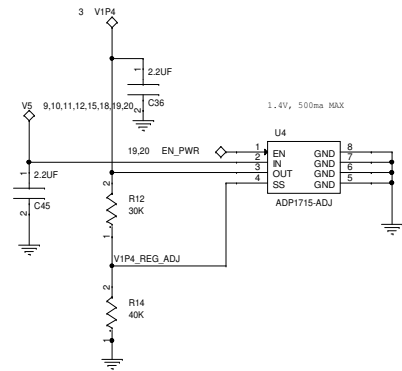
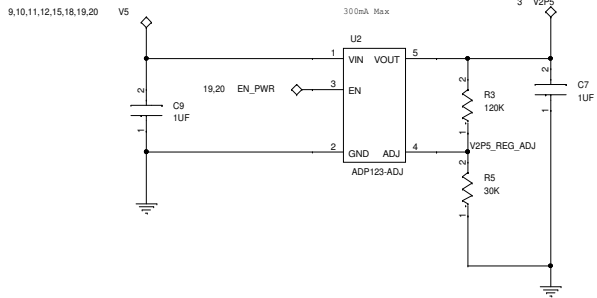
3,4,5,6,7,8,11,12,13,14,15,16,17,18,19,20

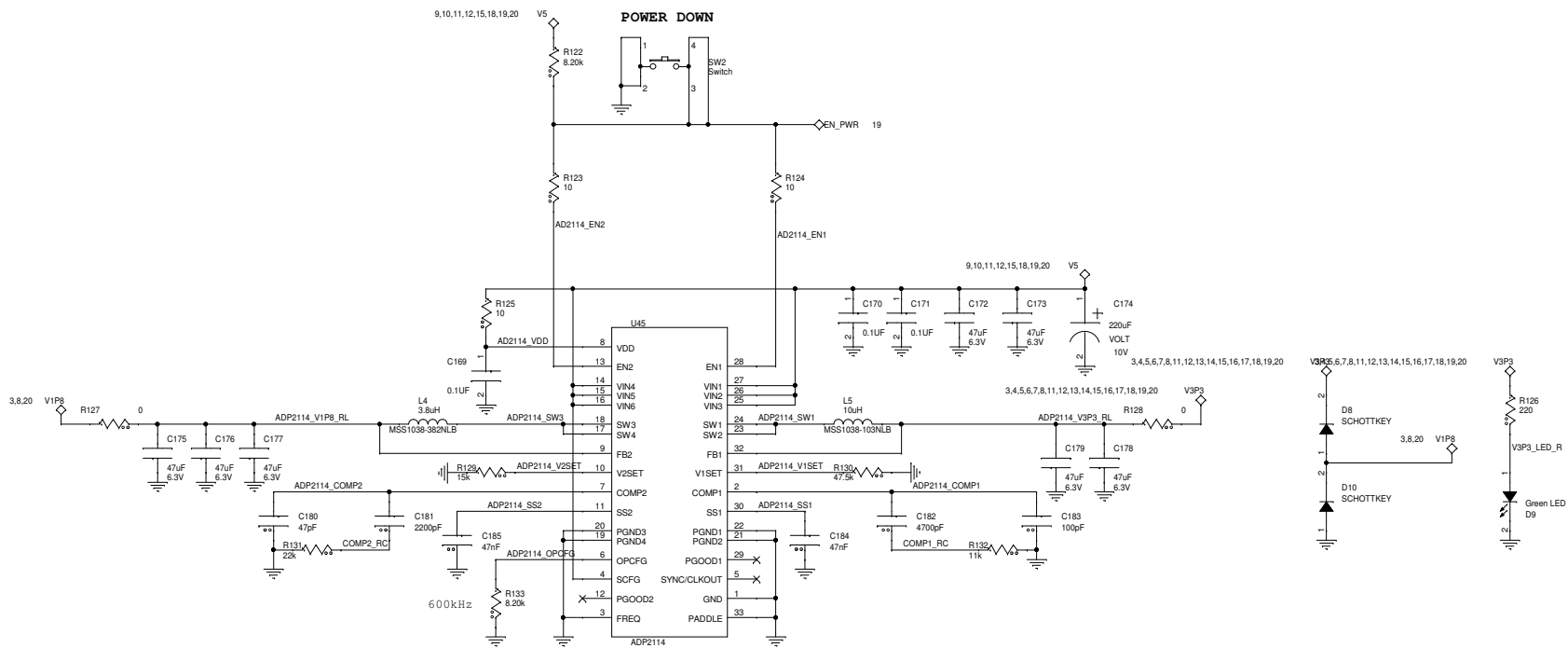


Title		
SHARC FLASH / JTAG / RS232		
Size	Document Number	Rev
C	Advantiv™ EVAL-ADV7625-SM2 Video Evaluation Board	0.1
Date:	Tuesday, August 11, 2015	Sheet 17 of 20



Title		
BOARD POWER		
Size	Document Number	Rev
C	Advantiv™ EVAL-ADV7825-SMZ2 Video Evaluation Board	0.1
Date:	Tuesday, August 11, 2015	Sheet 18 of 20





Title		
ADV7625 REGULATOR		
Size	Document Number	Rev
C	Advantiv™ EVAL-ADV7625-SMZ2 Video Evaluation Board	0.1
Date:	Tuesday, August 11, 2015	Sheet 20 of 20