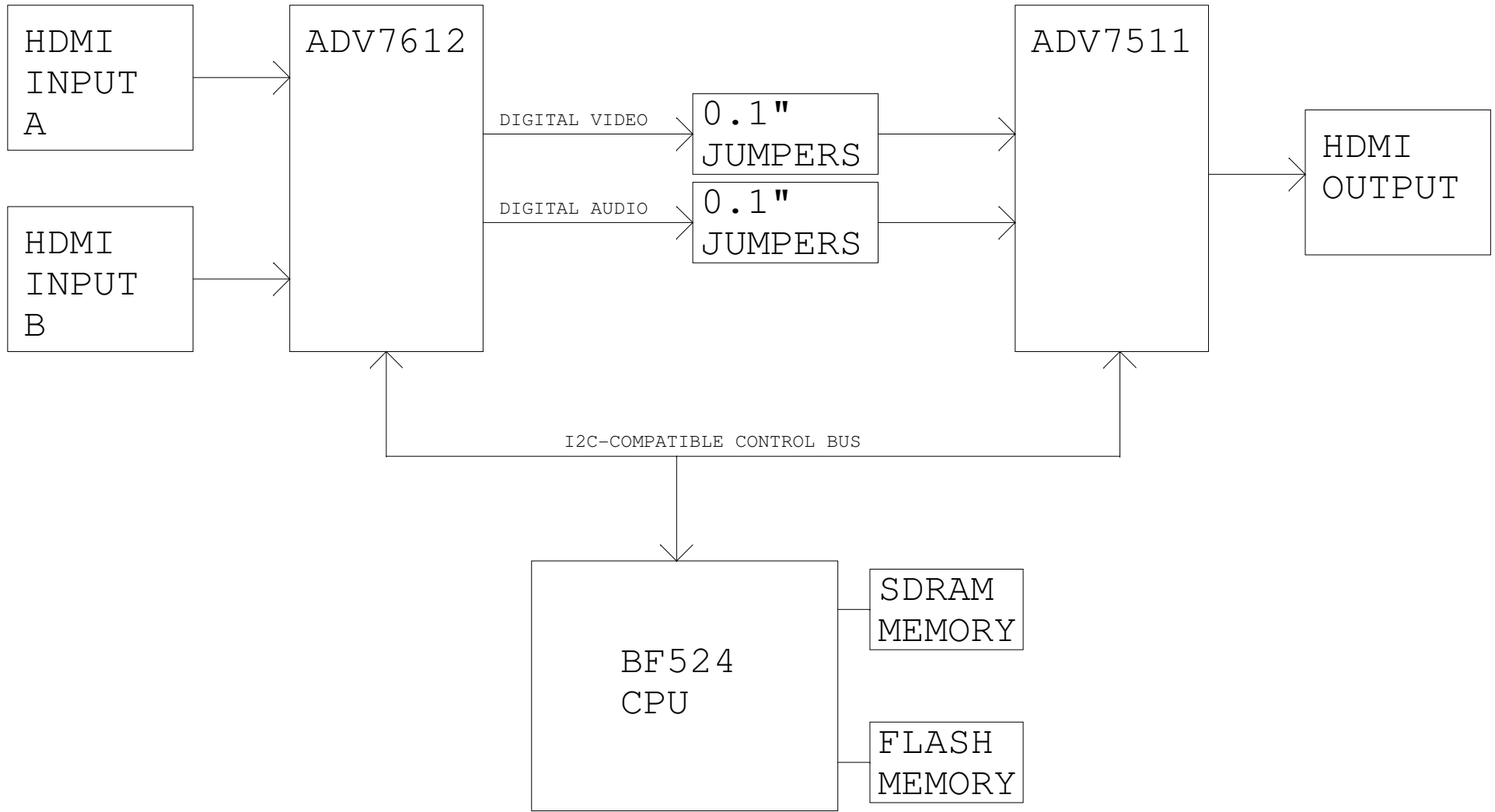
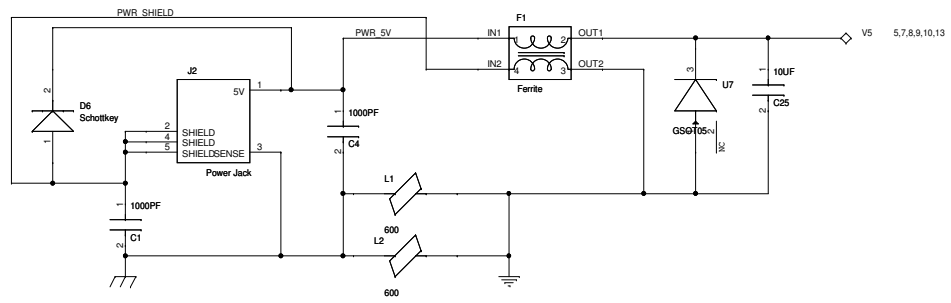




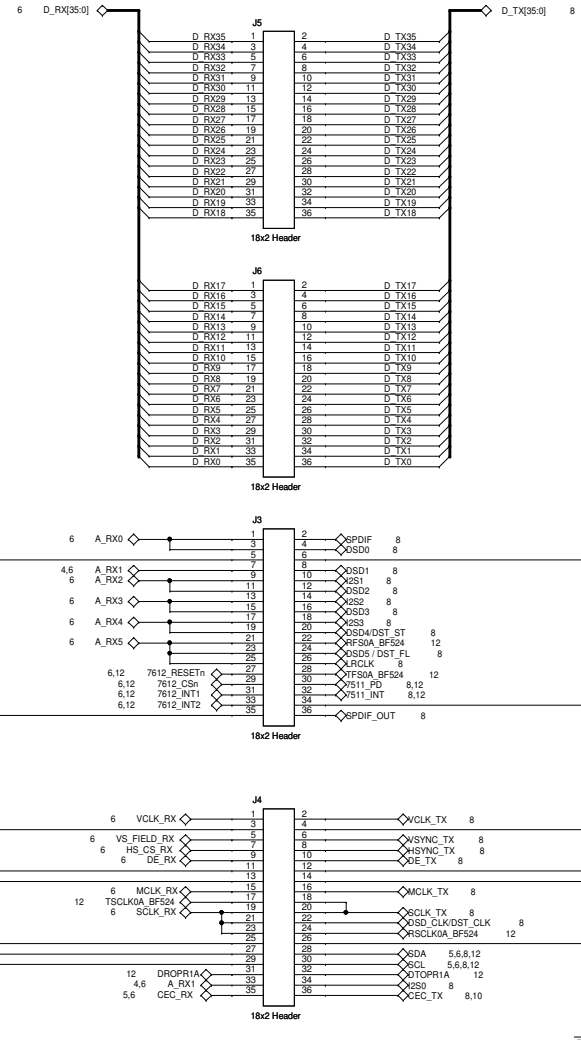
Title		
TITLE		
Size	Document Number	Rev
C	Advantiv™ EVAL-ADV7612-7511 Video Evaluation Board	0.1
Date:	Monday, March 21, 2011	Sheet 1 of 14

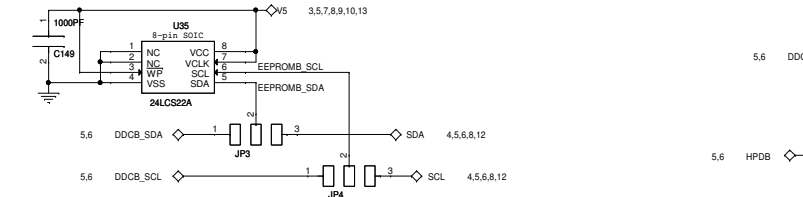
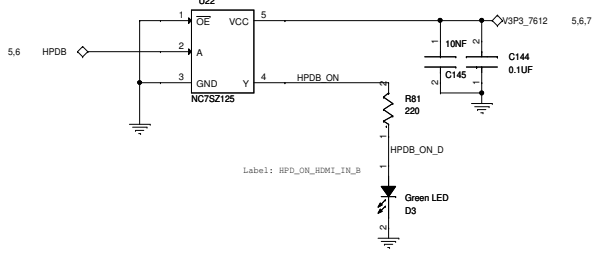
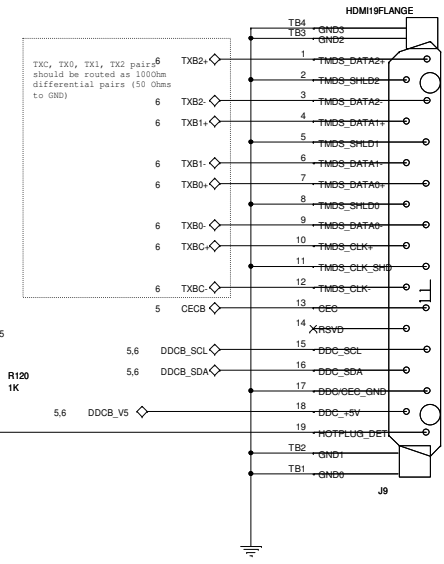
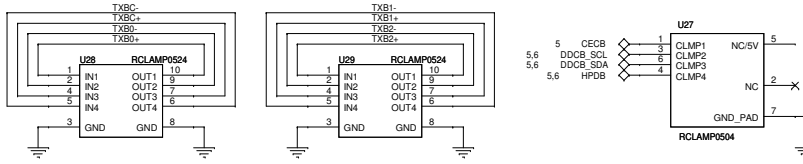
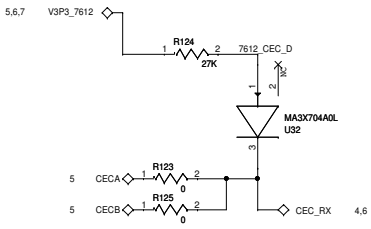
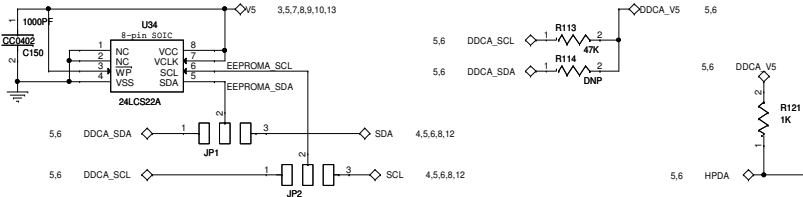
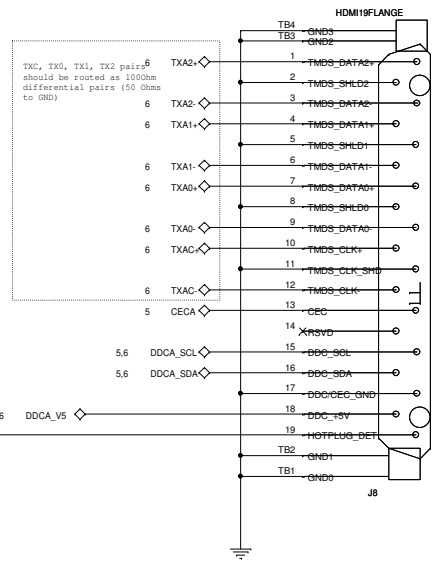
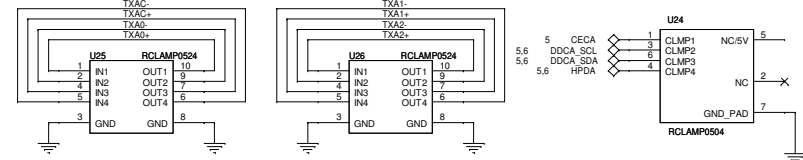
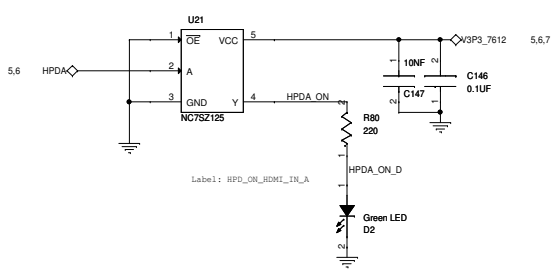


Title		
BLOCK DIAGRAM		
Size	Document Number	Rev
C	Advantiv™ EVAL-ADV7612-7511 Video Evaluation Board	0.1
Date:	Monday, March 21, 2011	Sheet 2 of 14

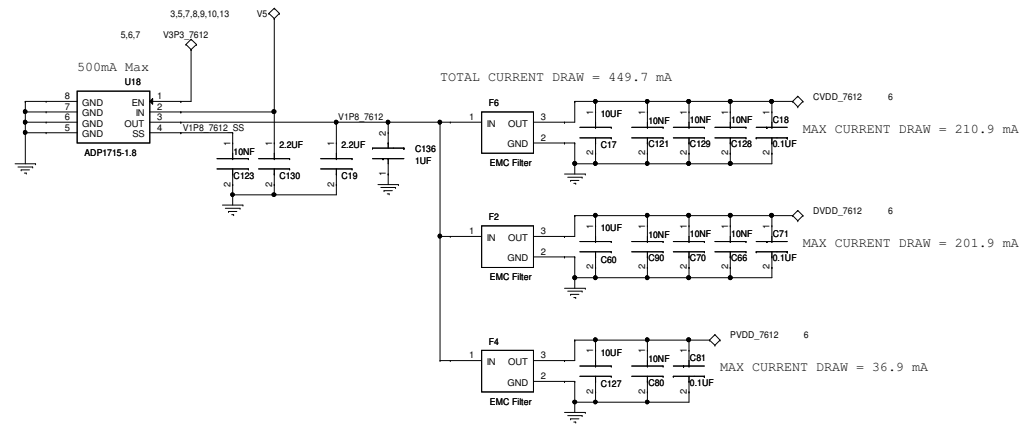
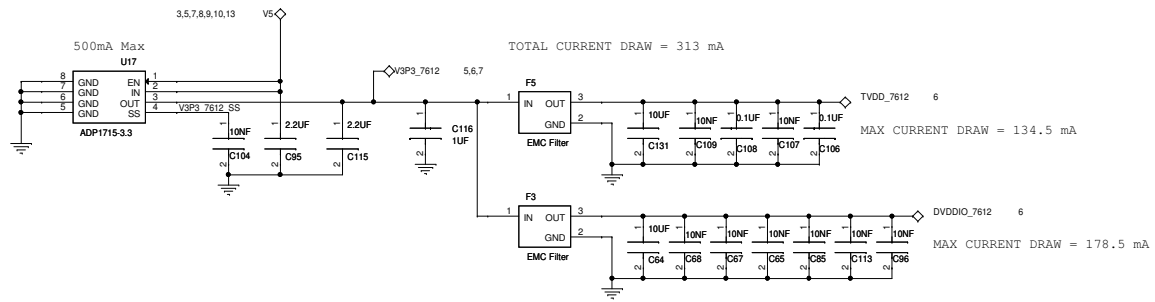


Title		
POWER CONNECTOR / RESET MANAGEMENT		
Size	Document Number	Rev
C	Advantiv™ EVAL-ADV7612-7511 Video Evaluation Board	0.1
Date:	Monday, March 21, 2011	Sheet 3 of 14

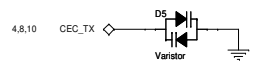
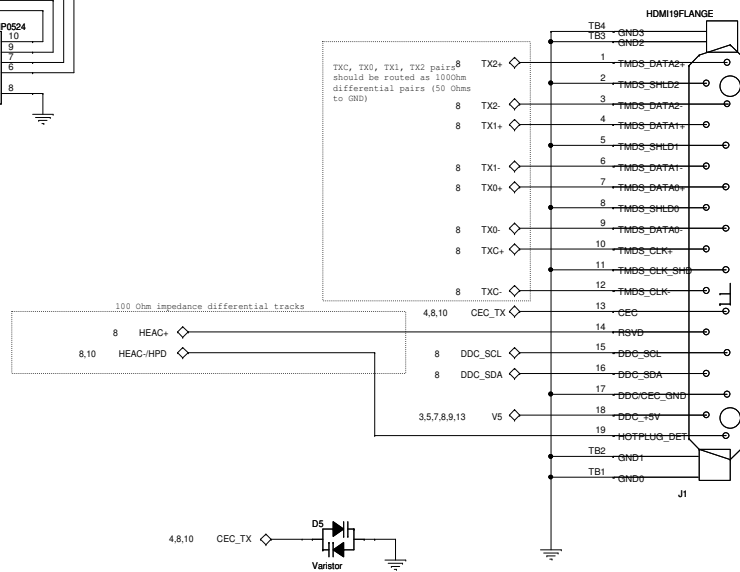
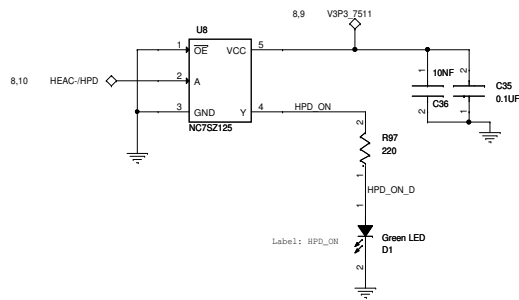
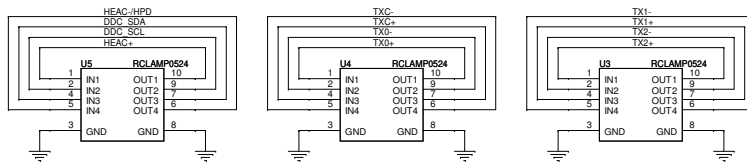




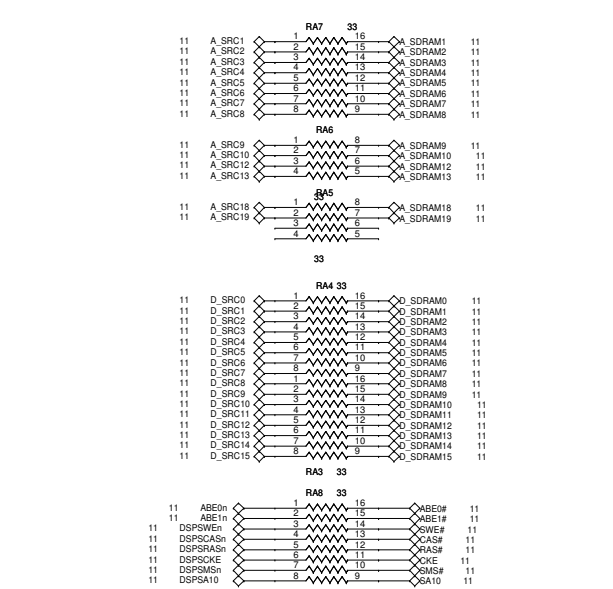
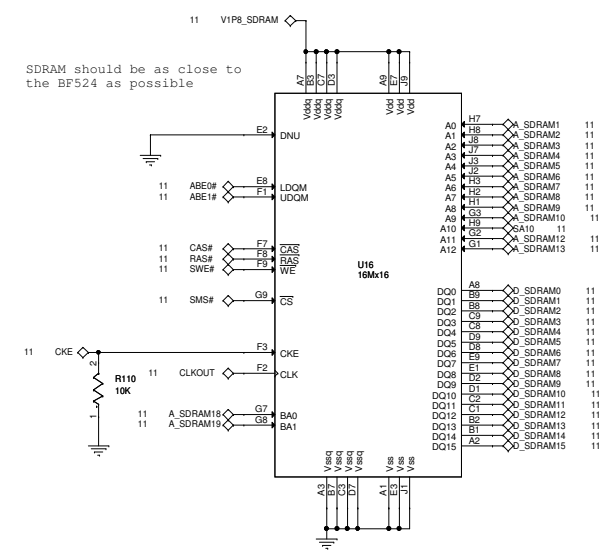
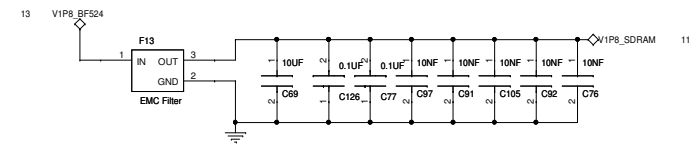
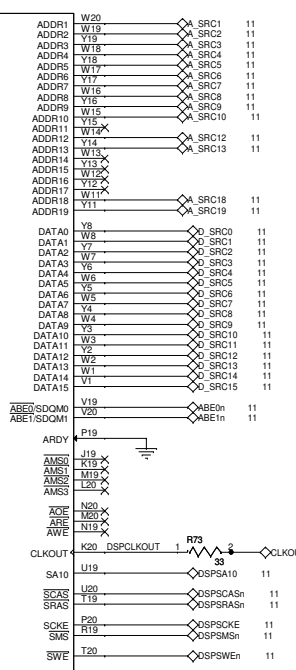
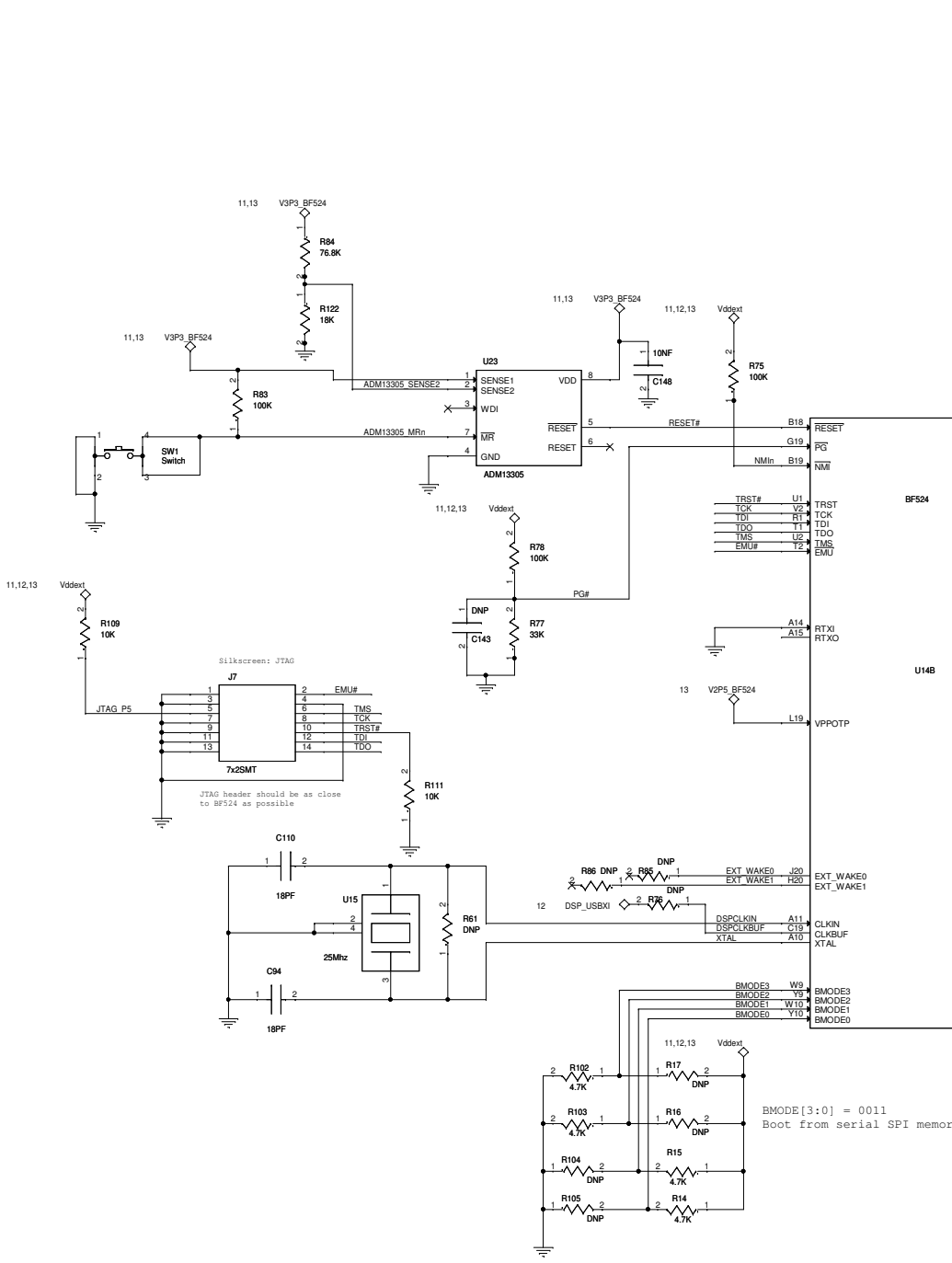
Title			VIDEO INPUT CONNECTORS		
Size	Document Number				Rev
C	Advantiv™ EVAL-ADV7612-7511 Video Evaluation Board				0.1
Date:	Monday, March 21, 2011	Sheet	5	of	14

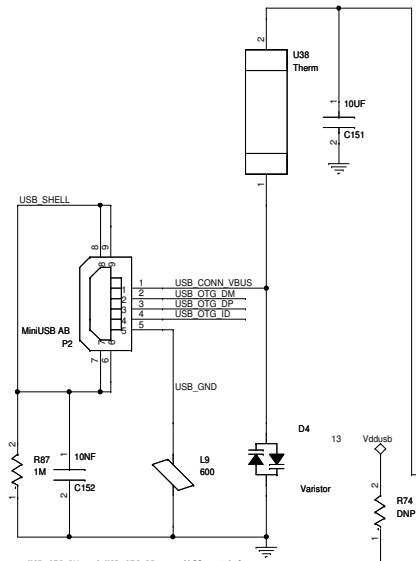


Title		ADV7612 POWER	
Size	Document Number	Rev	
C	Advantiv™ EVAL-ADV7612-7511 Video Evaluation Board	0.1	
Date:	Monday, March 21, 2011	Sheet	7 of 14

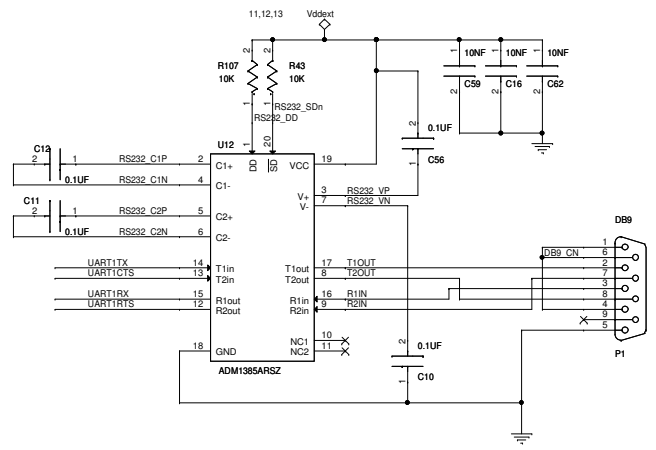
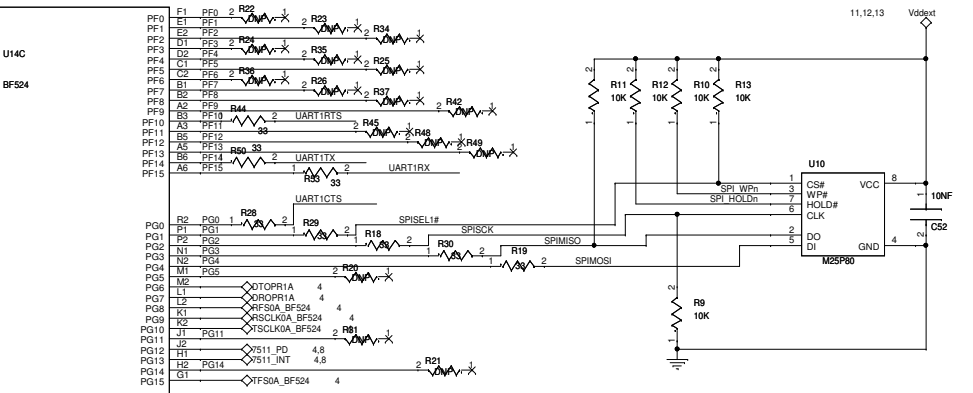
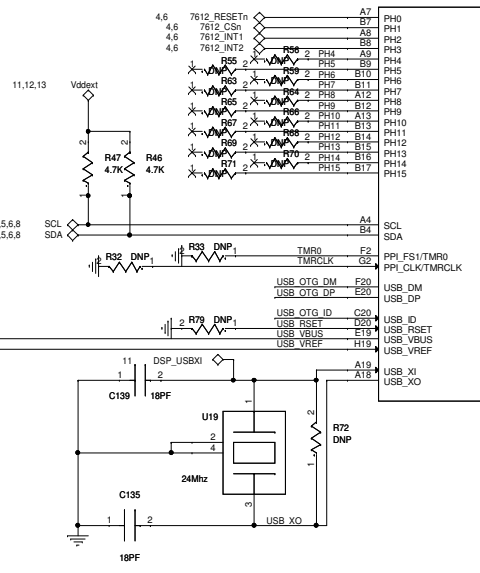
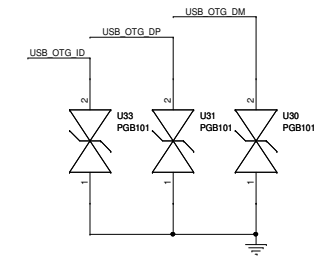


Title		
VIDEO OUTPUT CONNECTORS		
Size	Document Number	Rev
C	Advantiv™ EVAL-ADV7612-7511 Video Evaluation Board	0.1
Date:	Monday, March 21, 2011	Sheet 10 of 14

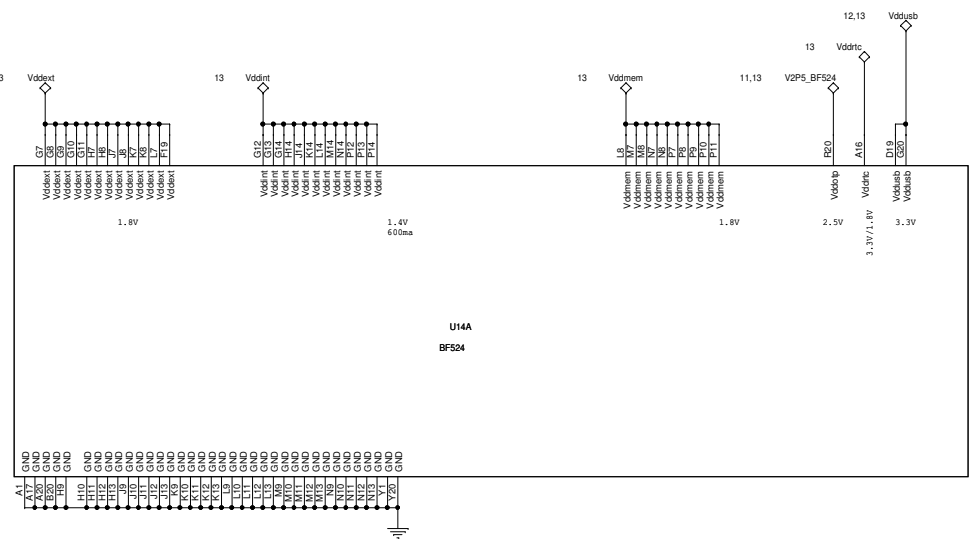
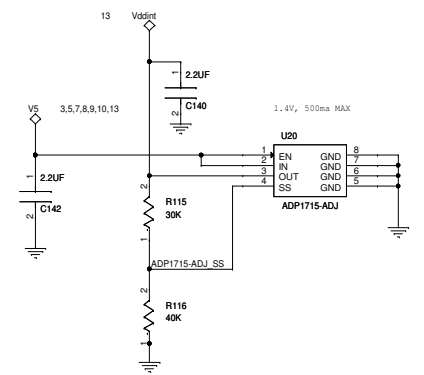
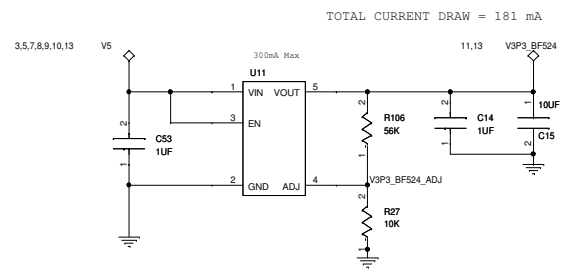
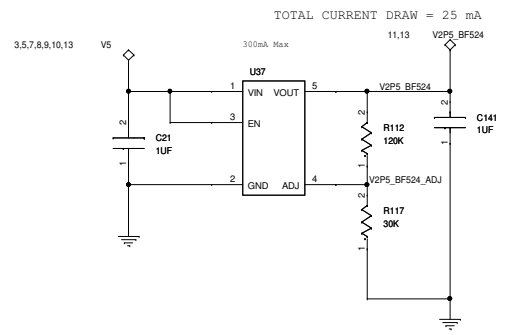
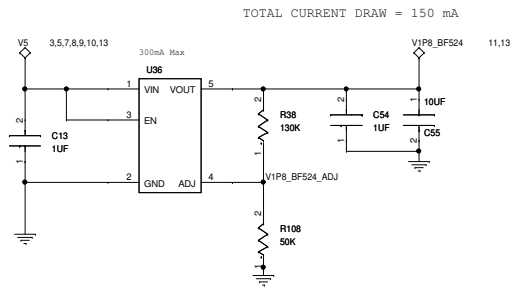
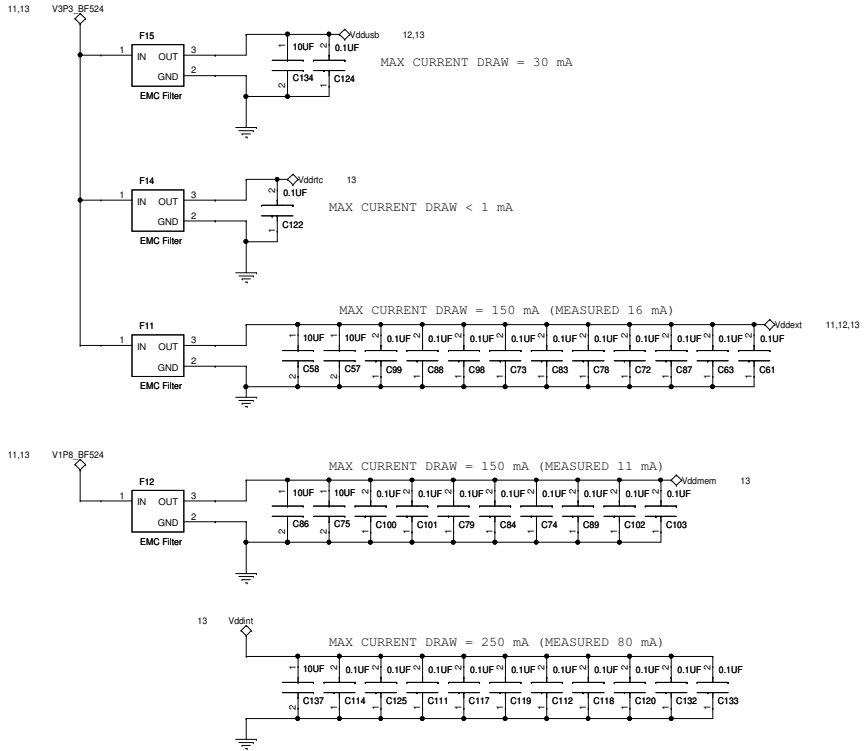




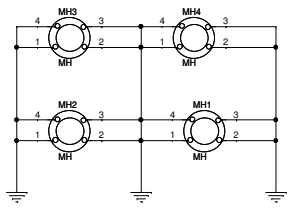
USB_OTG_DM and USB_OTG_DP are differential pairs with 90 ohms impedance and should be as short as possible.



Title		BF524 PERIPHERALS	
Size	Document Number	Advantiv™ EVAL-ADV7612-7511 Video Evaluation Board	
C	Date:	Monday, March 21, 2011	Sheet 12 of 14
	Rev	0.1	



Title		
BF524 POWER		
Size	Document Number	Rev
C	Advantiv™ EVAL-ADV7612-7511 Video Evaluation Board	0.1
Date:	Monday, March 21, 2011	Sheet 13 of 14



Title		
MISCELLANEOUS PARTS		
Size	Document Number	Rev
C	Advantiv™ EVAL-ADV7612-7511 Video Evaluation Board	0.1
Date:	Monday, March 21, 2011	Sheet 14 of 14