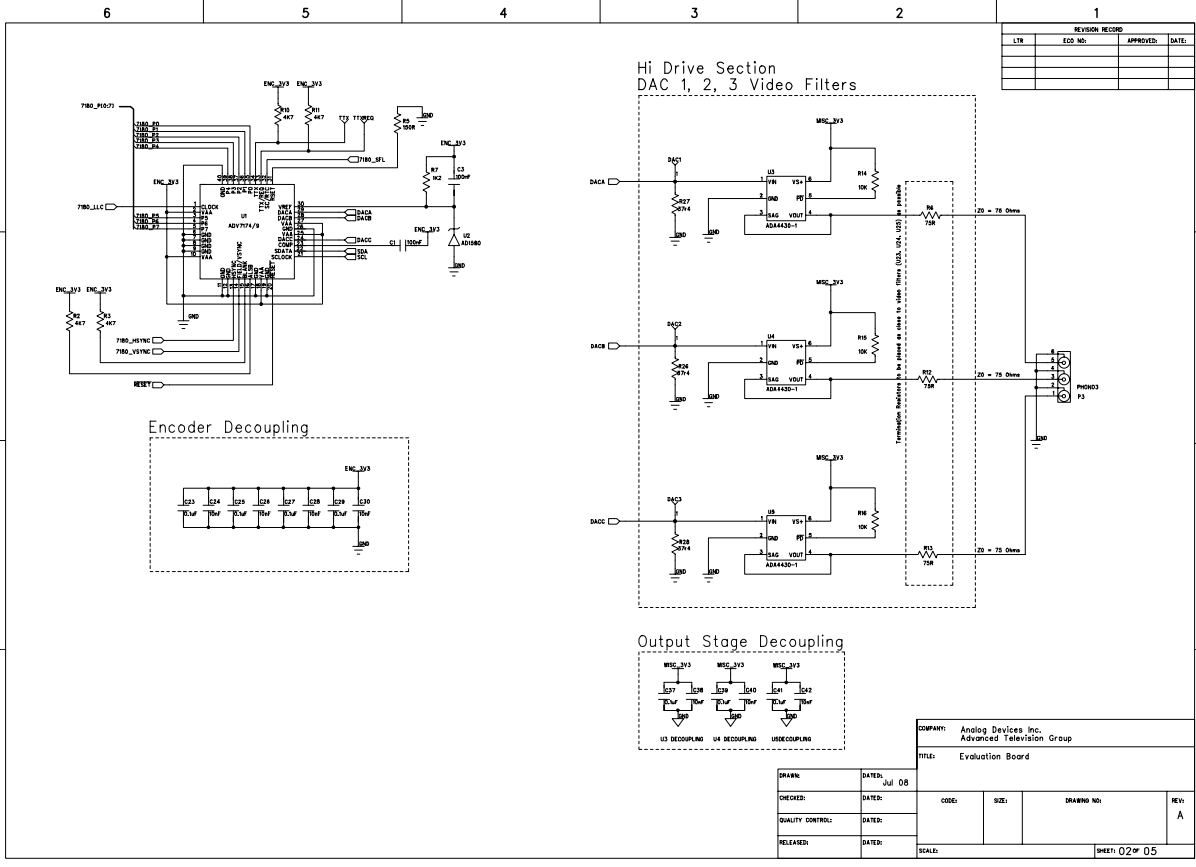
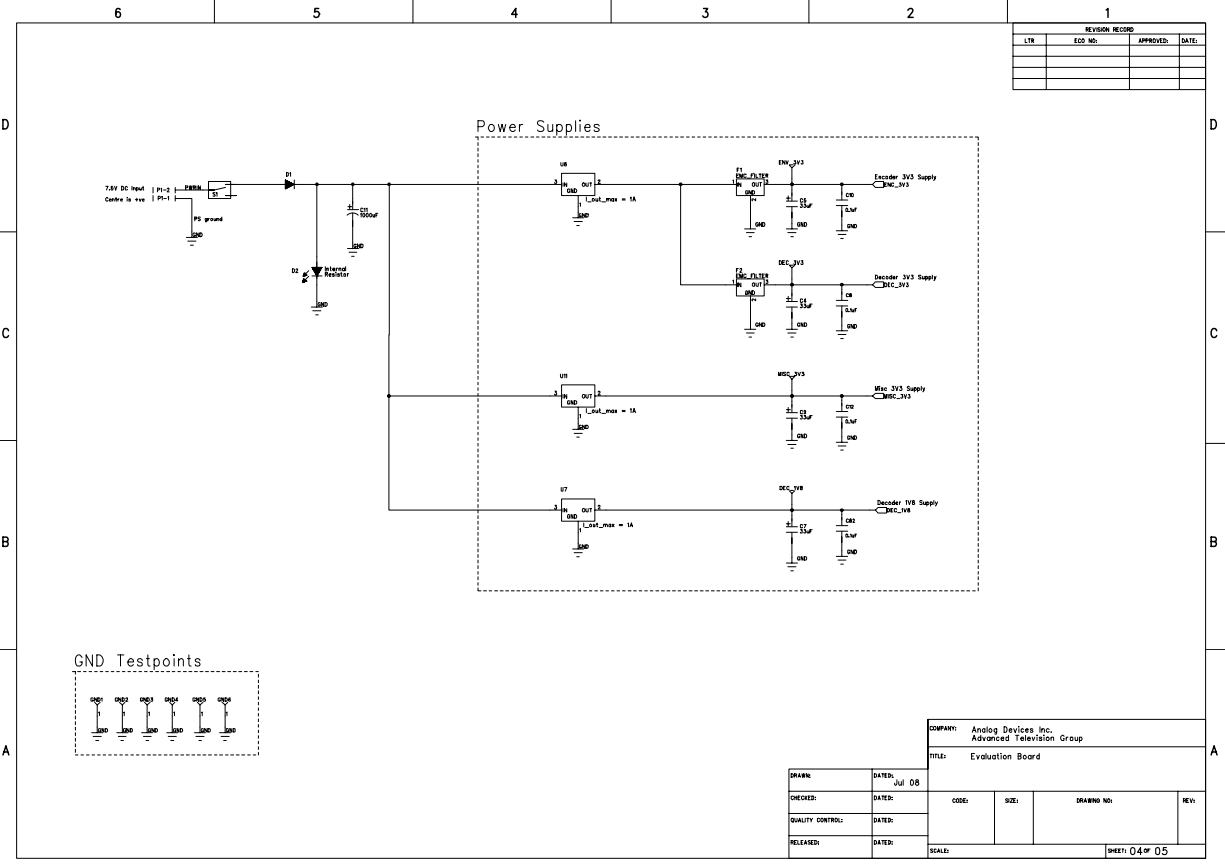


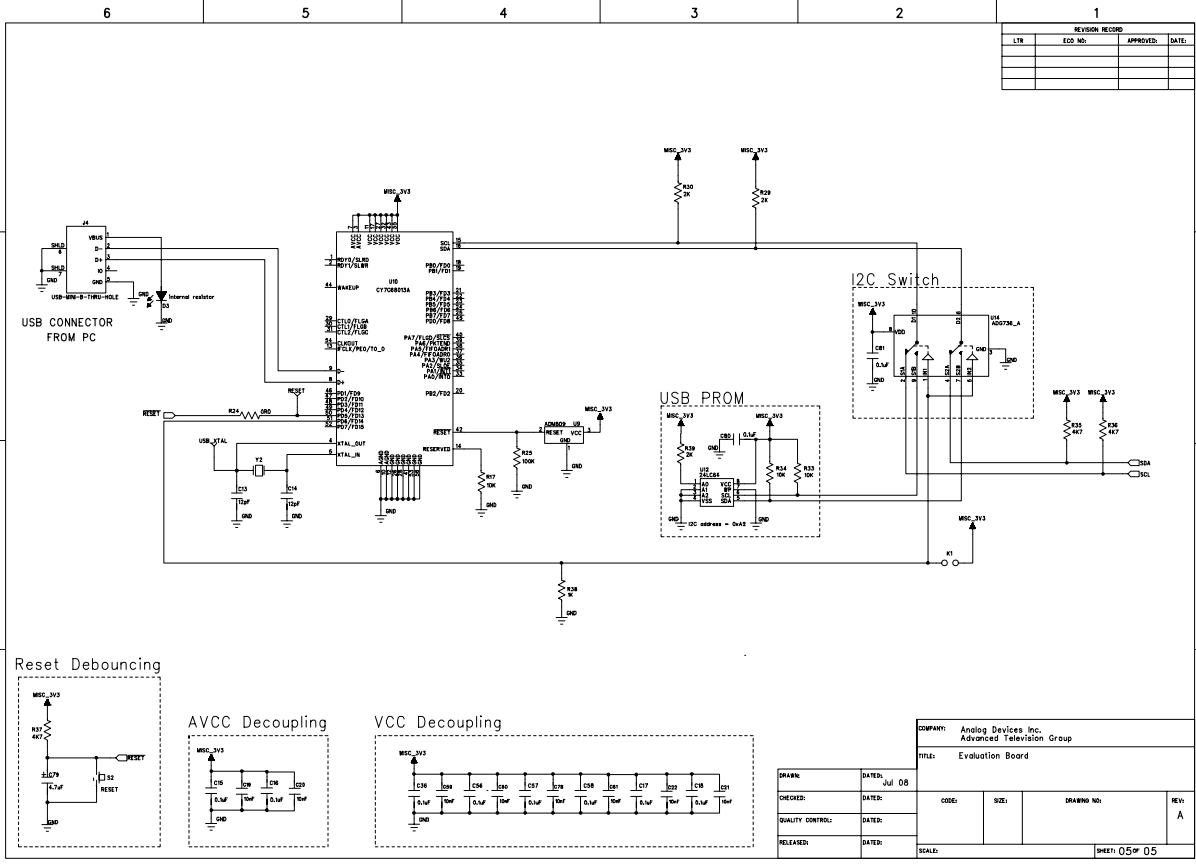
COMPANY: Analog Devices Inc. Advanced Television Group			
TITLE: Evolution Board			
DRAWN:	DATE:	CODE:	SIZE:
CHECKED:	DATE:	DRAWING NO:	REV:
QUALITY CONTROL:	DATE:	SCALE:	
RELEASED:	DATE:	SHEET 01 of 05	





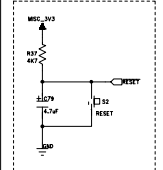
REVISION RECORD			
LTR	ECO NO.	APPROVED	DATE

COMPANY: Analog Devices Inc. Advanced Television Group			
TITLE: Evaluation Board			
DRAWN:	DATE: Jul 08	CODE:	SIZE:
CHECKED:	DATE:	DRAWING NO.:	REV:
QUALITY CONTROL:	DATE:	SCALE:	SHEET 04 of 05
RELEASED:	DATE:		

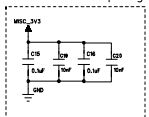


REVISION RECORD			
LTN	ECO NO.	APPROVED	DATE

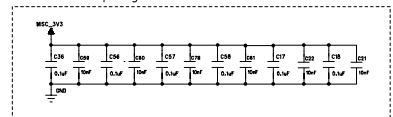
Reset Debouncing



AVCC Decoupling



VCC Decoupling



DRAWN:		DATE: JUL 08		COMPANY: Analog Devices Inc. Advanced Television Group	
CHECKED:		DATE:		TITLE: Evaluation Board	
QUALITY CONTROL:		DATE:		CODE:	SIZE:
RELEASED:		DATE:		DRAWING NO.:	REV: A
SCALE:		SCALE:		SHEET 05 OF 05	