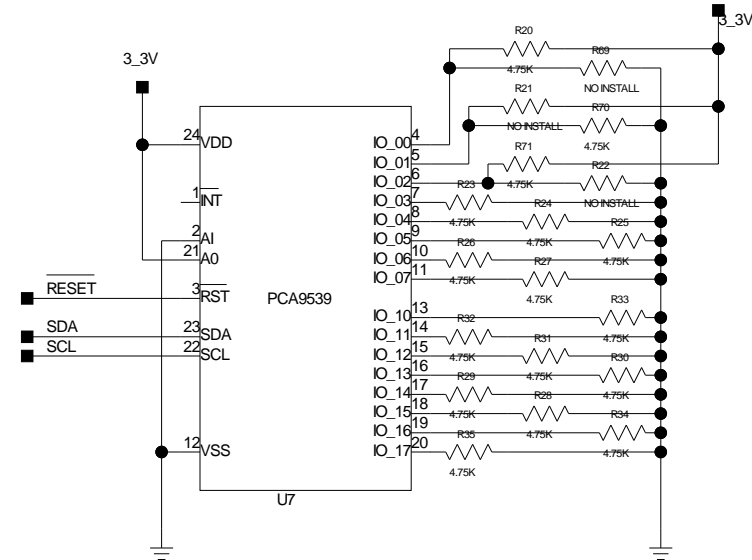
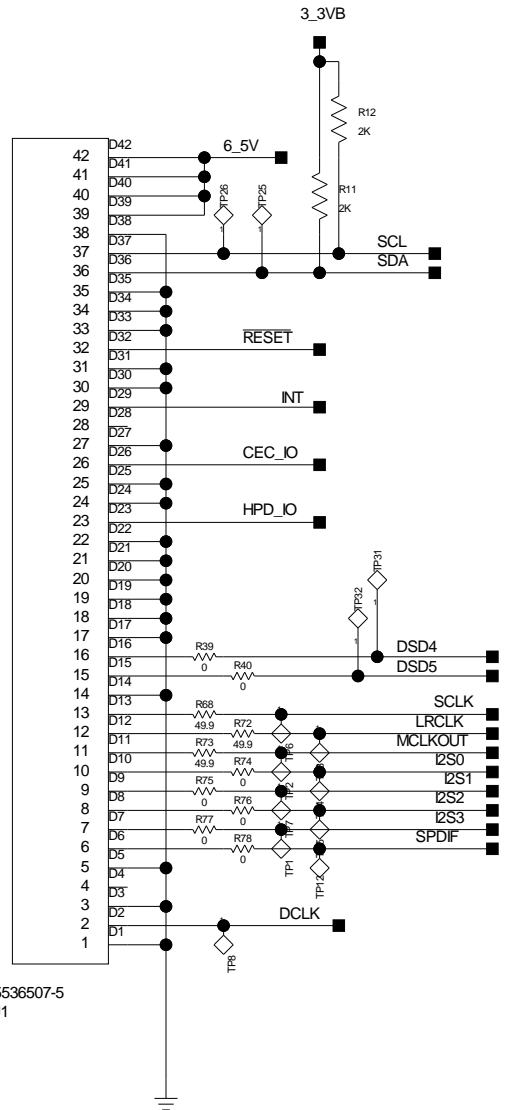
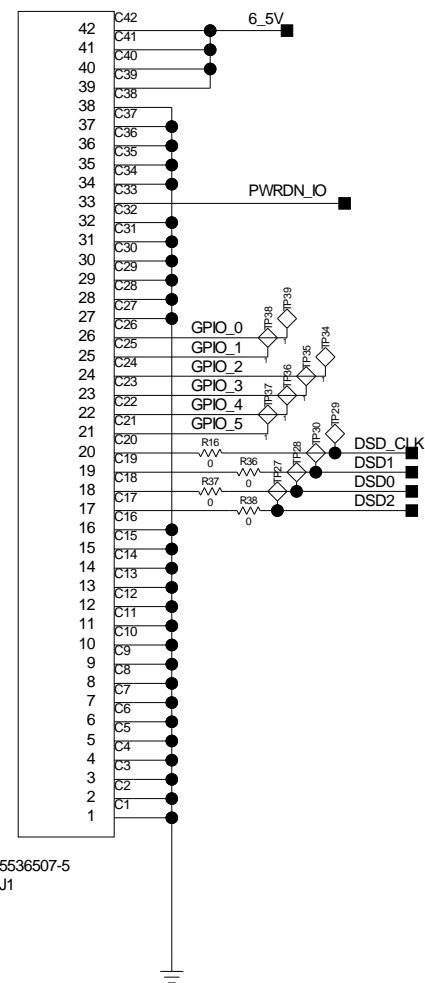
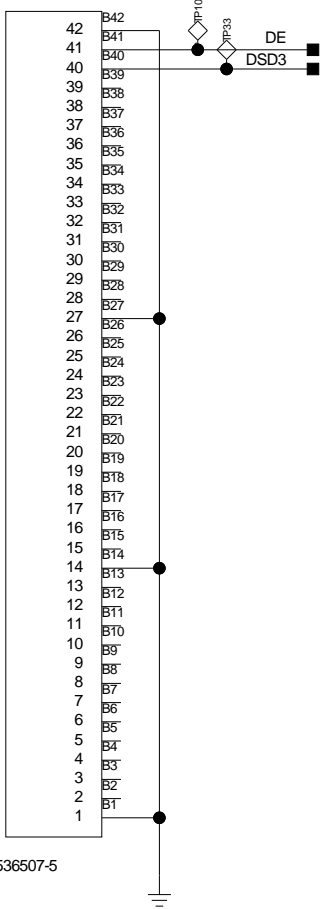
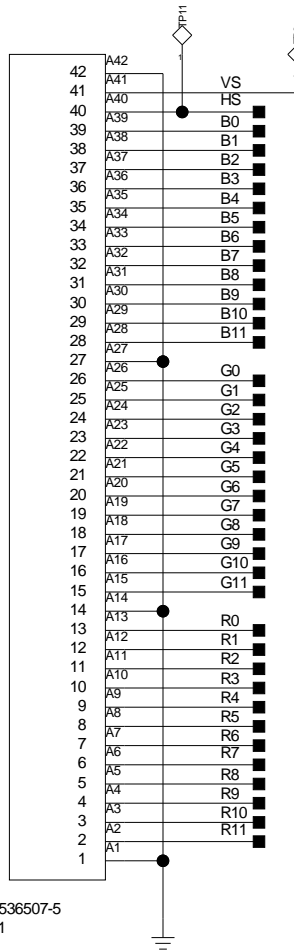


REVISIONS			
REV	DESCRIPTION	DATE	APPROVED
B	ADD I2C PULL-UPS, ADD GPIO TP'S, CORRECT BD_ID		
C	ADDED SERIES RESISTORS ON AUDIO NETS		
D	MOVED DSD3 FROM D28 TO B40	MAY6, 2008	
E	ADDED SERIES TERMINATORS TO DSD NETS	OCT20, 2008	

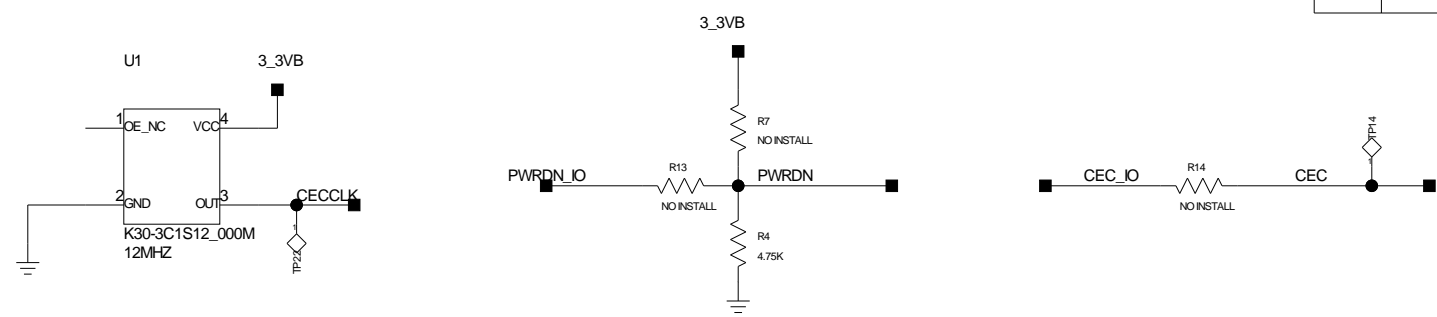


Device ID = 0x05 (read @ address 0xEA)

ATV Mother Board Interface Connector and Board ID

	HSC GREENSBORO 7910 TRIAD CENTER DRIVE GREENSBORO NC 27409		TITLE ATV_ADV7510 REFERENCE (type A)	
	DATE:	SHEET 1 OF 3	DRAWN BY: D. JONES	DRAWING NUMBER GS09443A

REVISIONS			
REV	DESCRIPTION	DATE	APPROVED
B	ADD PARALLEL TERMINATORS TO INPUTS, CHANGE HPD LED RES VALUE		
E	ADDED EMI FILTERS. REMOVED PARALLEL TERMINATORS.	OCT 20, 2008	



Place this 50 ohm parallel termination as close as possible to U6. Route net through pad of the resistor.

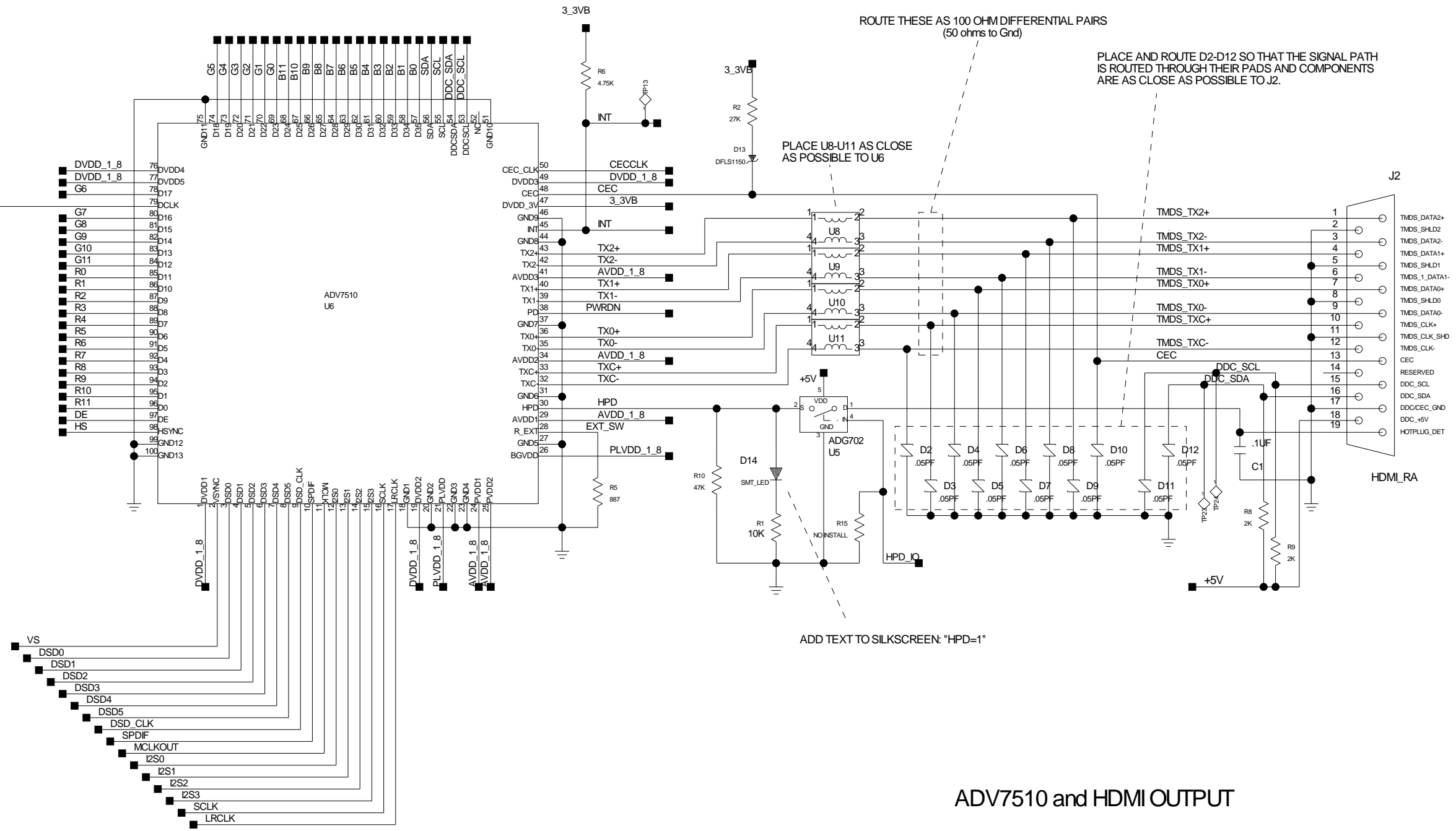
ROUTE INPUT SIGNALS AS 47 OHM TRACES

ROUTE THESE AS 100 OHM DIFFERENTIAL PAIRS (50 ohms to Gnd)

PLACE AND ROUTE D2-D12 SO THAT THE SIGNAL PATH IS ROUTED THROUGH THEIR PADS AND COMPONENTS ARE AS CLOSE AS POSSIBLE TO J2.

PLACE U8-U11 AS CLOSE AS POSSIBLE TO U6

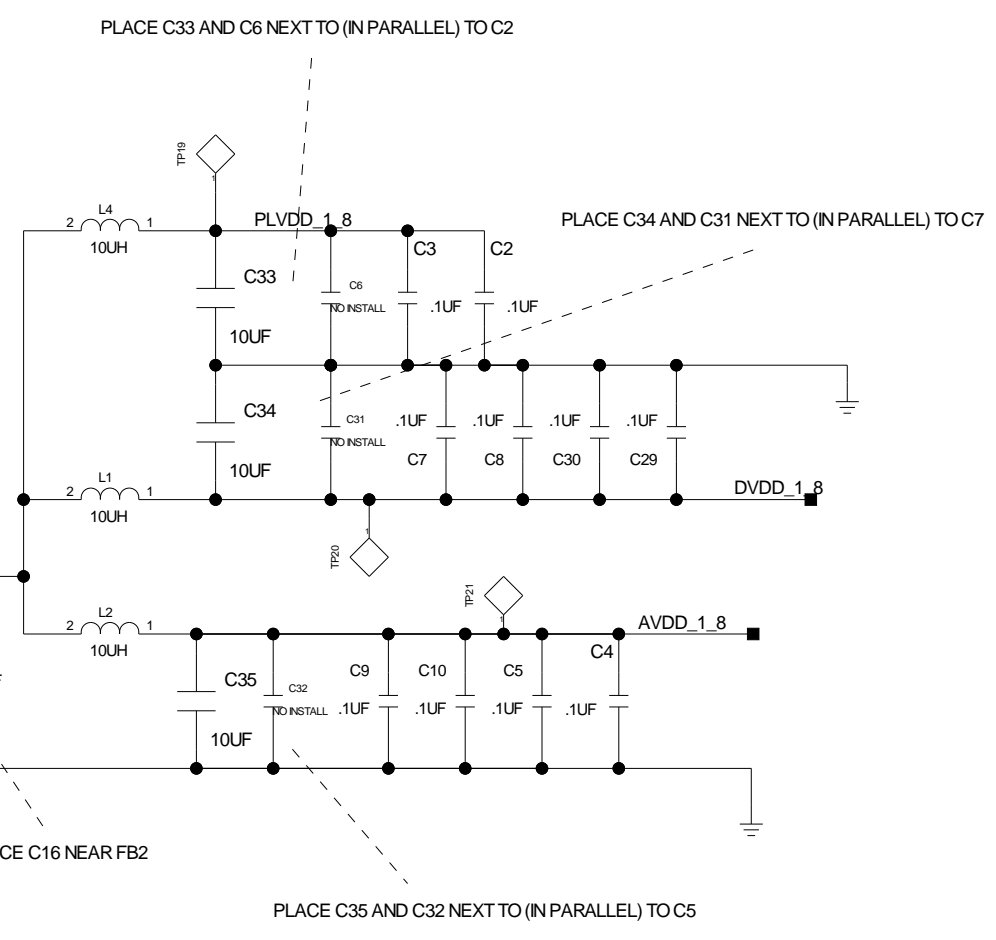
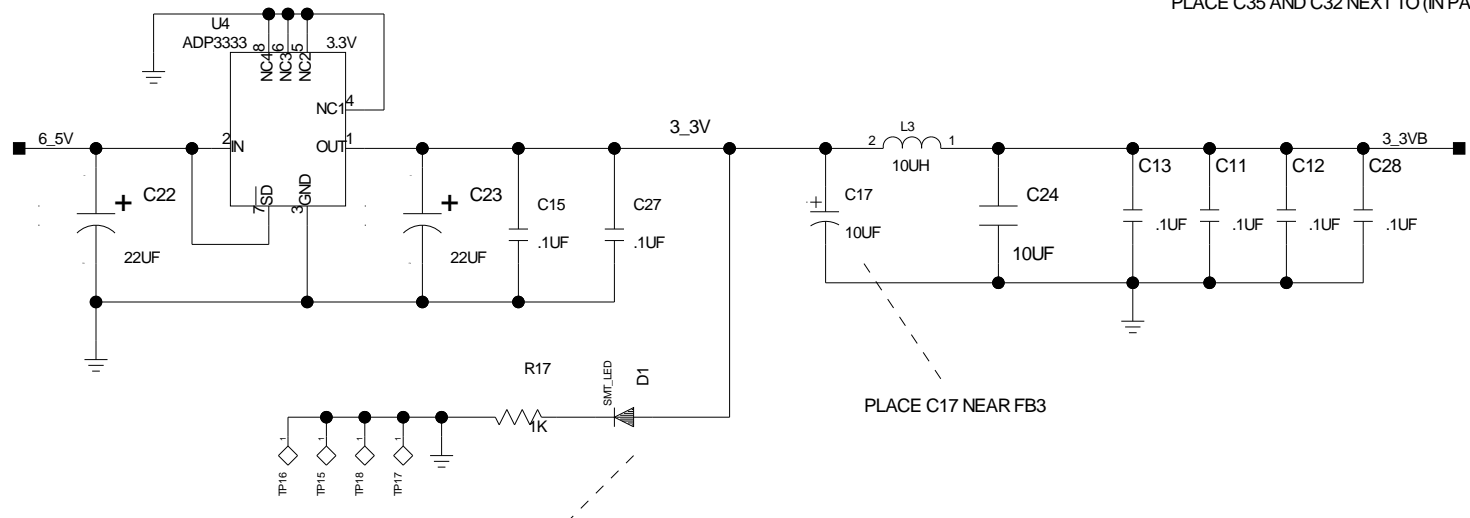
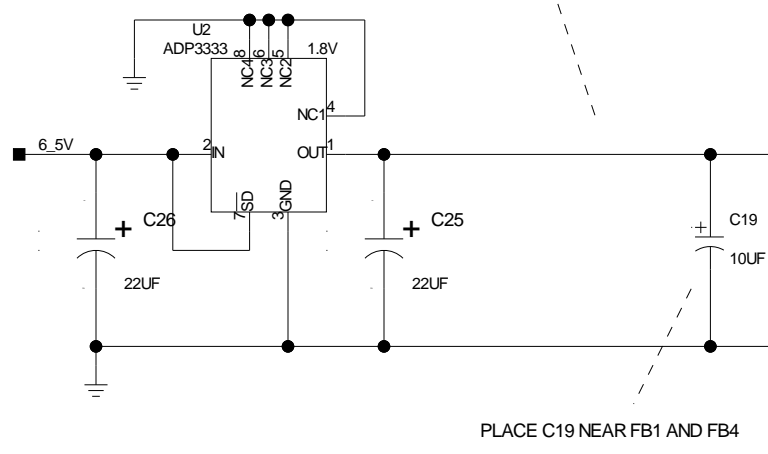
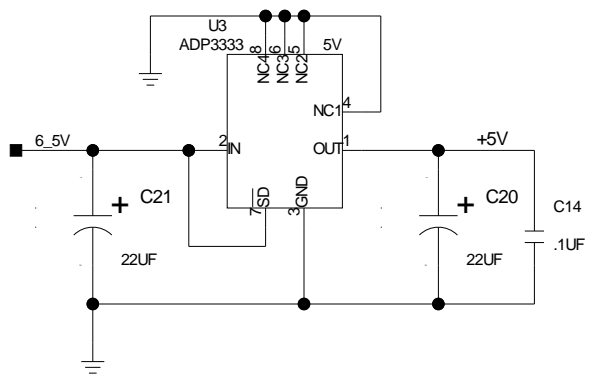
ADD TEXT TO SILKSCREEN: "HPD=1"



ADV7510 and HDMI OUTPUT

	HSC GREENSBORO 7910 TRIAD CENTER DRIVE GREENSBORO NC 27409		TITLE ATV_ADV7510 REFERENCE (type A)	
	DATE:	SHEET 2 OF 3	DRAWN BY: D. JONES	DRAWING NUMBER GS09443A
				REV E

REVISIONS			
REV	DESCRIPTION	DATE	APPROVED
B	CHANGE 1.8V LED RES VALUE		
C	ADDED NOTES FOR CAP PLACEMENT		
E	CHANGED LDO DEVICES, INDUCTORS, AND SOME CAP VALUES		



ADD TEXT TO SILKSCREEN: "1.8V PWR ON"

PLACE C19 NEAR FB1 AND FB4

PLACE C16 NEAR FB2

PLACE C35 AND C32 NEXT TO (IN PARALLEL) TO C5

PLACE C17 NEAR FB3

ADD TEXT TO SILKSCREEN: "PWR ON"

ANALOG DEVICES HSC GREENSBORO
 7910 TRIAD CENTER DRIVE
 GREENSBORO NC 27409

DATE: SHEET 3 OF 3 DRAWN BY: D. JONES

TITLE	ATV_ADV7510 REFERENCE (type A)	
DRAWING NUMBER	GS09443A	REV E