

6

5

4

3

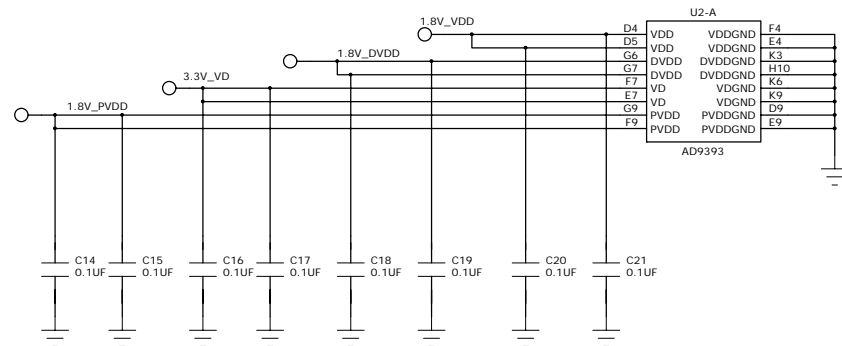
2

1

REVISION RECORD			
LTR	ECO NO:	APPROVED:	DATE:

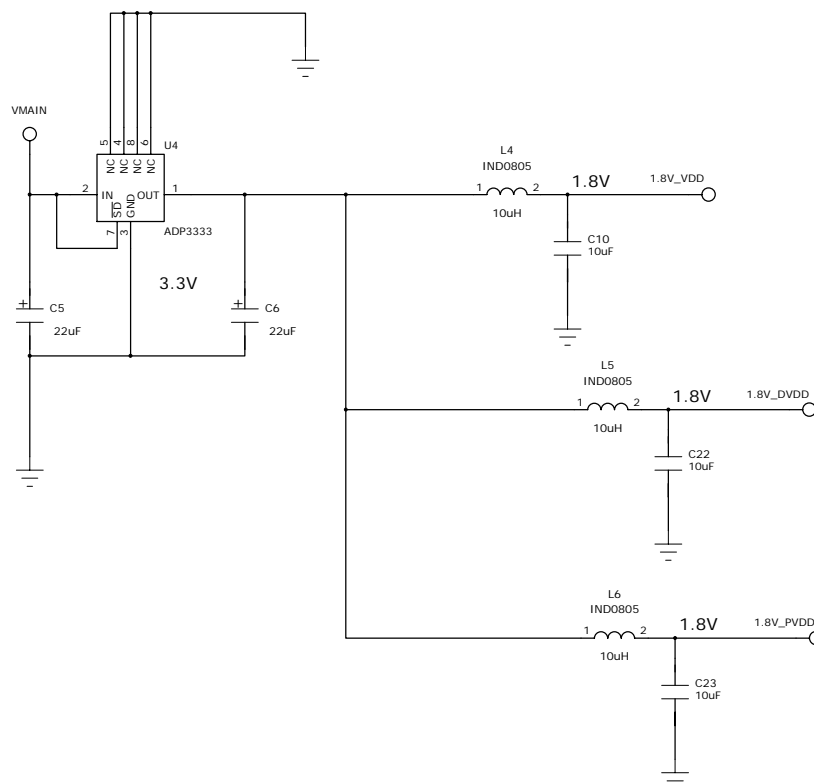
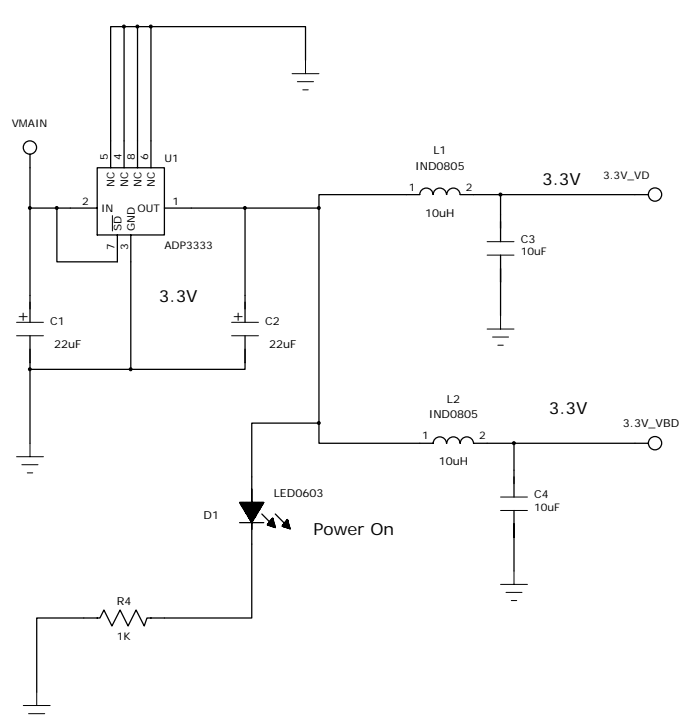
D

D



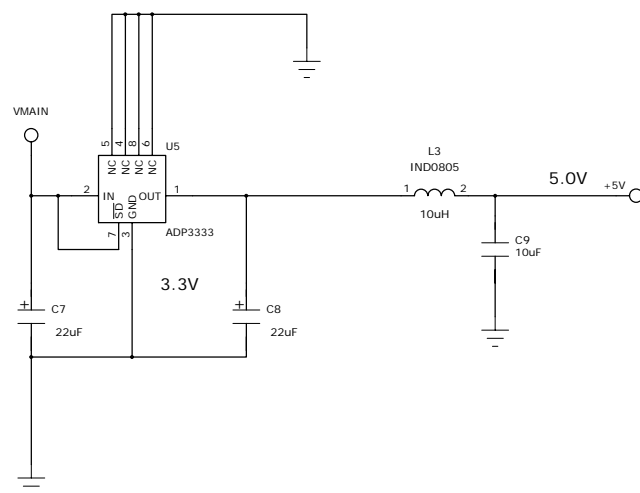
C

C



B

B



A

A

DRAWN: Harry Goings	DATED: 08-22-09
CHECKED:	DATED:
QUALITY CONTROL:	DATED:
RELEASED:	DATED:

COMPANY: Analog Devices Inc.			
TITLE: AD9393 Type A Customer Board			
CODE:	SIZE: C	DRAWING NO:	REV:
SCALE:		SHEET: 3 of 3	

6

5

4

3

2

1

REVISION RECORD			
LTR	ECO NO:	APPROVED:	DATE:

D

D

C

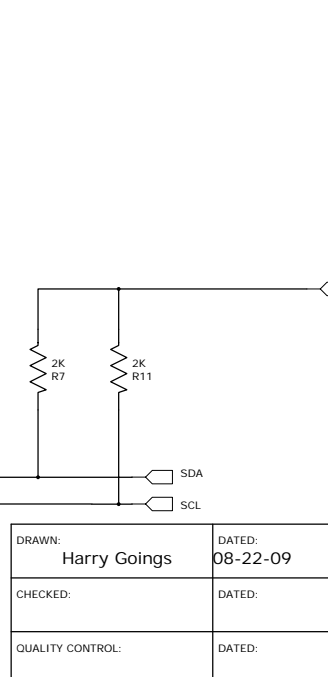
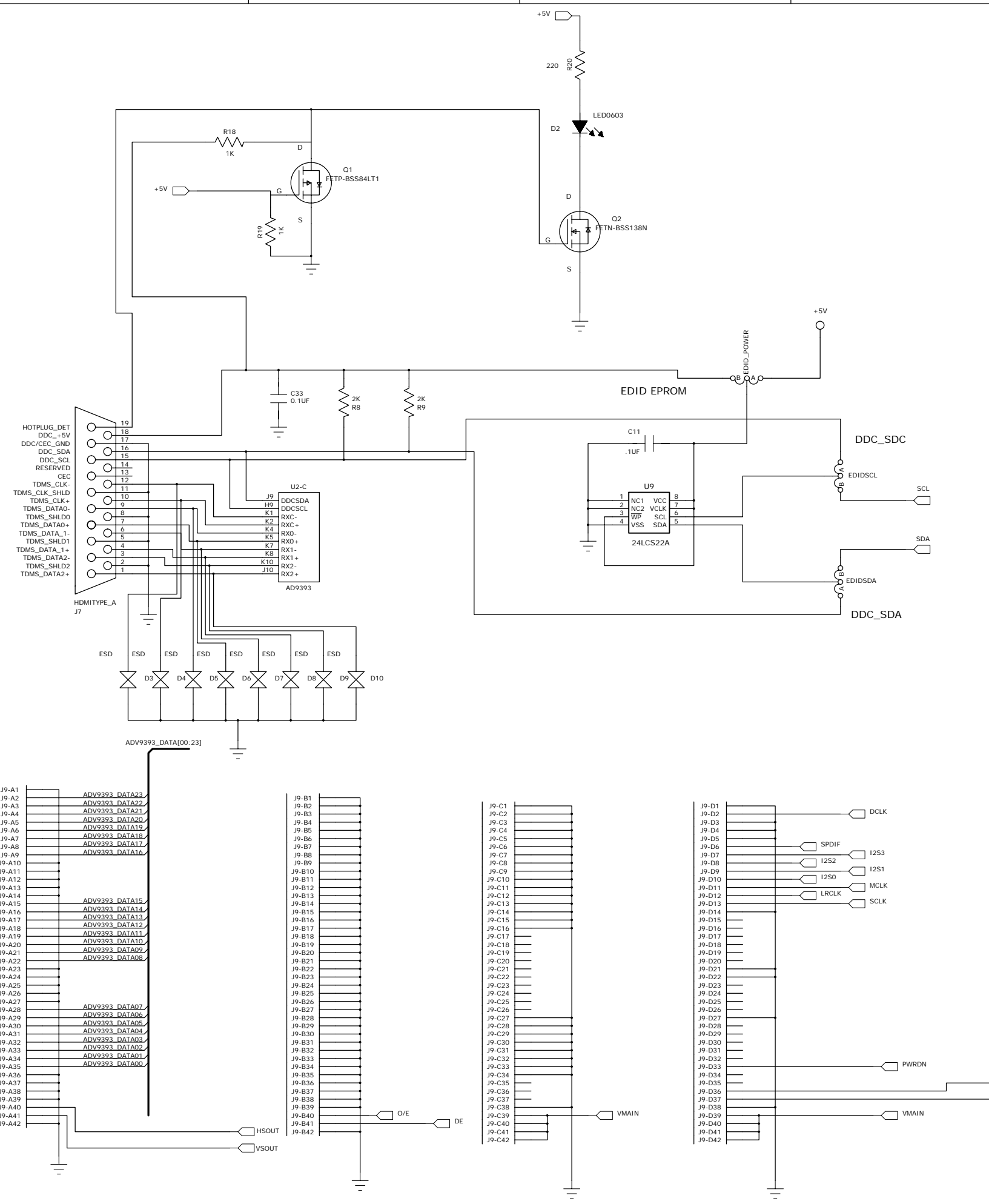
C

B

B

A

A



COMPANY: Analog Devices Inc.

TITLE: AD9393 Type A Customer Board

DRAWN: Harry Goings	DATED: 08-22-09	CODE:	SIZE:	DRAWING NO:	REV:
CHECKED:	DATED:	C	SHEET: 2 of 3		
QUALITY CONTROL:	DATED:				
RELEASED:	DATED:				

6

5

4

3

2

1

REVISION RECORD			
LTR	ECO NO:	APPROVED:	DATE:

D

D

C

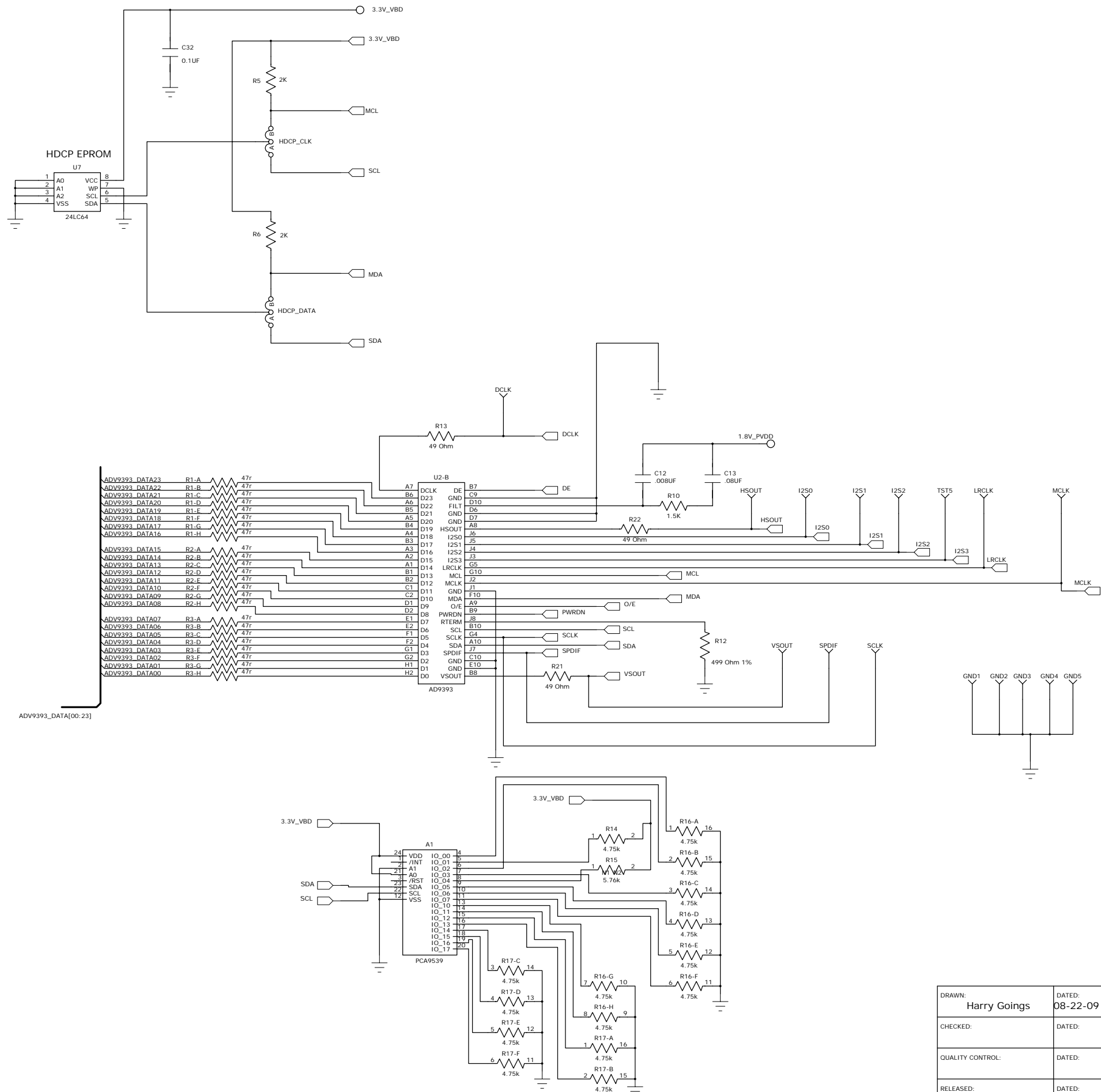
C

B

B

A

A



COMPANY:				Analog Devices Inc.			
TITLE:				AD9393 Type A Customer Board			
DRAWN:	HARRY GOINGS	DATED:	08-22-09	CODE:	SIZE:	DRAWING NO:	REV:
CHECKED:		DATED:		C			
QUALITY CONTROL:		DATED:					
RELEASED:		DATED:		SCALE:	SHEET: 3 OF 3		