

6

5

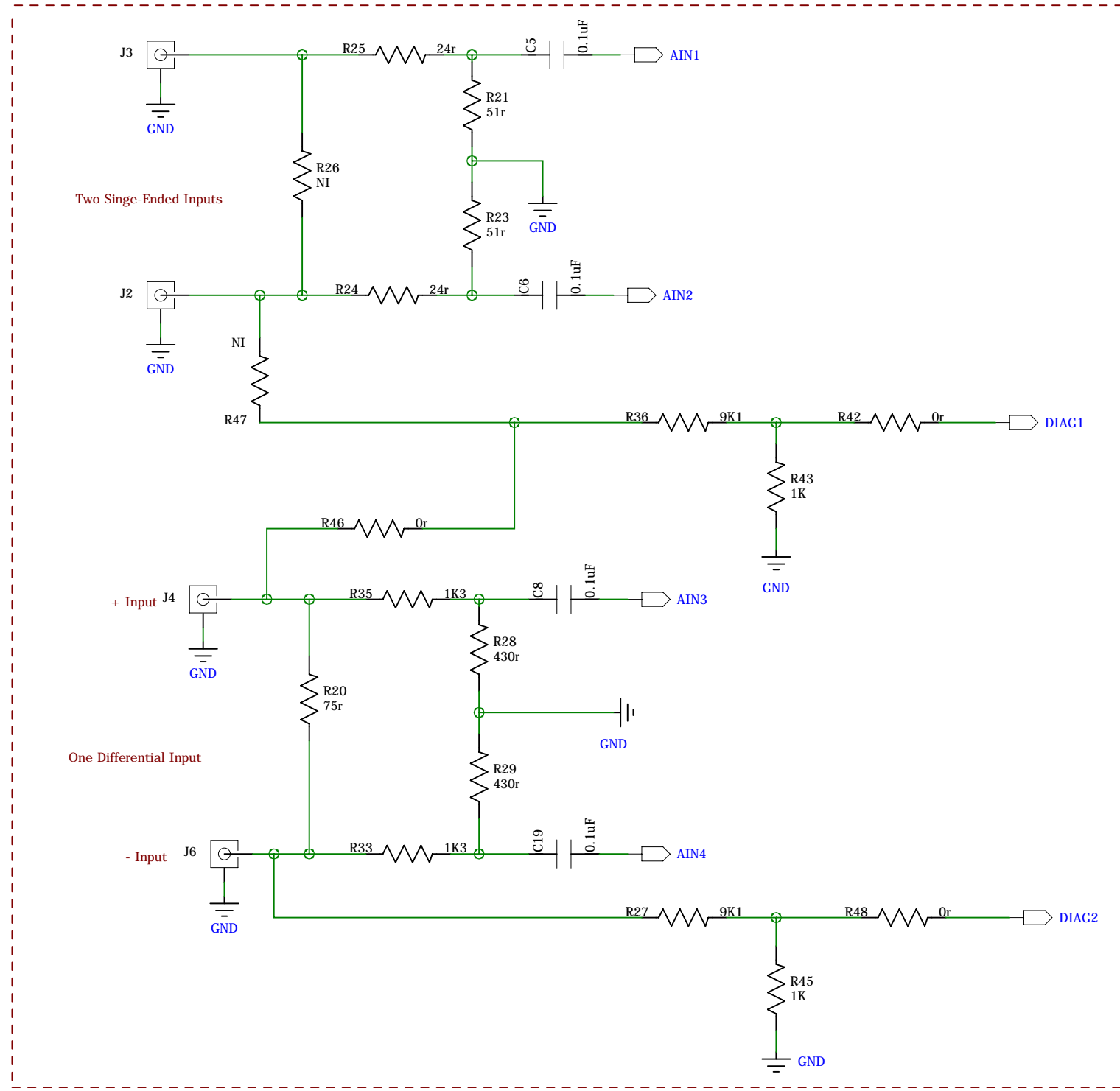
4

3

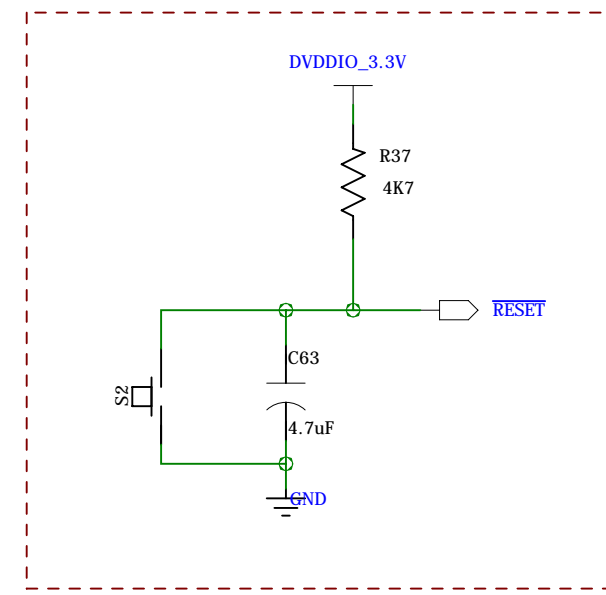
2

1

Analog Front End

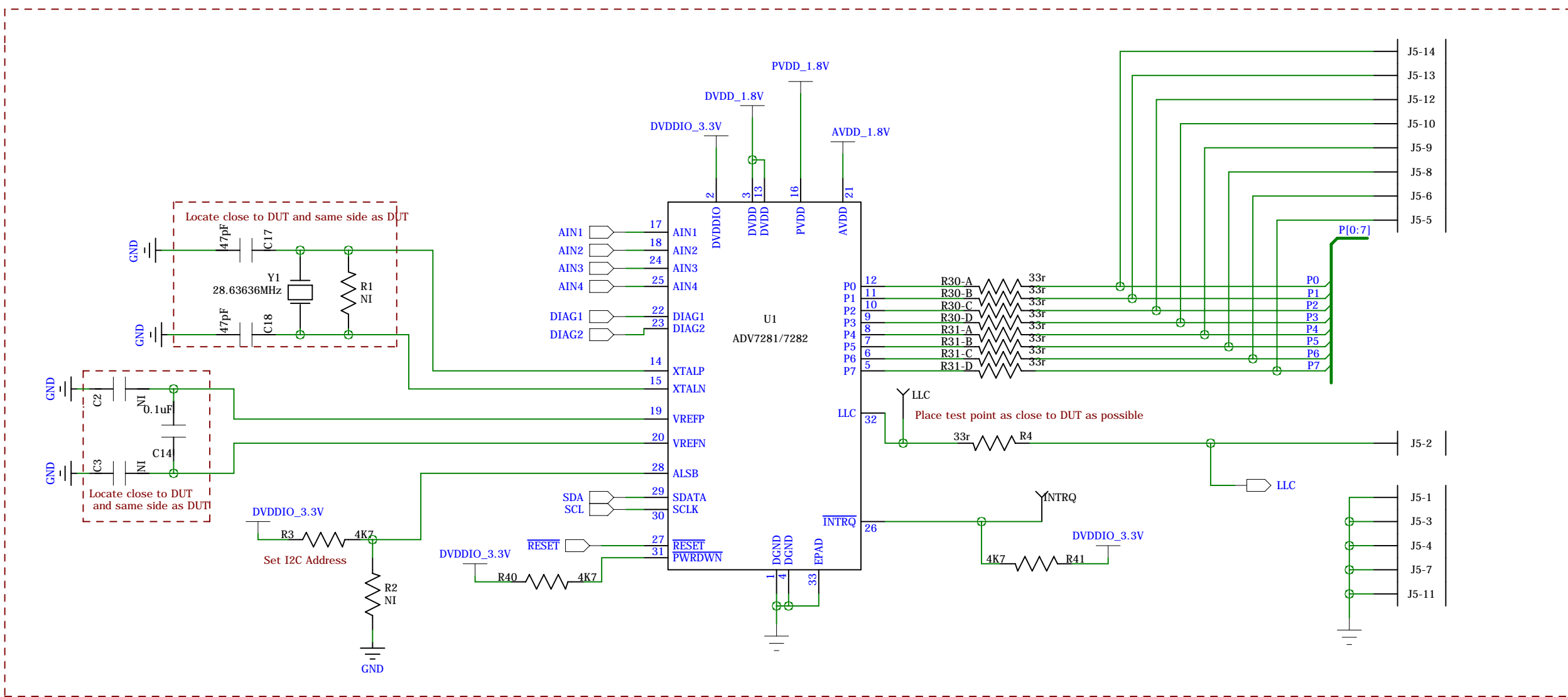


Reset Switch

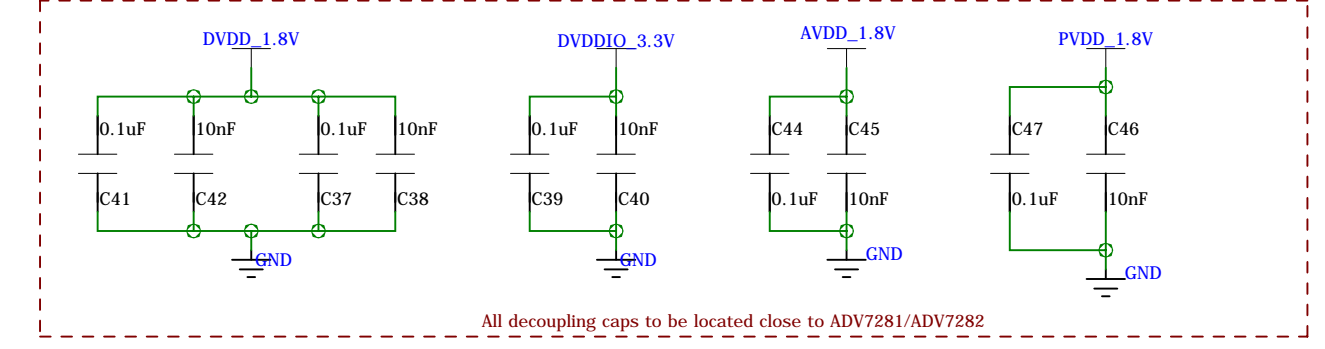


REVISION RECORD			
LTR	ECO NO:	APPROVED:	DATE:

ADV7281/7282



Power Supply Decoupling



COMPANY:		Analog Devices		
TITLE:		ADV7281/7282		
DRAWN: Rob Hinchy	DATED: October 2013	CODE: <Code>	SIZE: A2	DRAWING NO: Rev. 0
CHECKED: <Checked By>	DATED: <Checked Date>	RELEASED: <Released By>	DATED: <Release Date>	REV: B
SCALE: <Scale>				SHEET: 1 OF 4

6

5

4

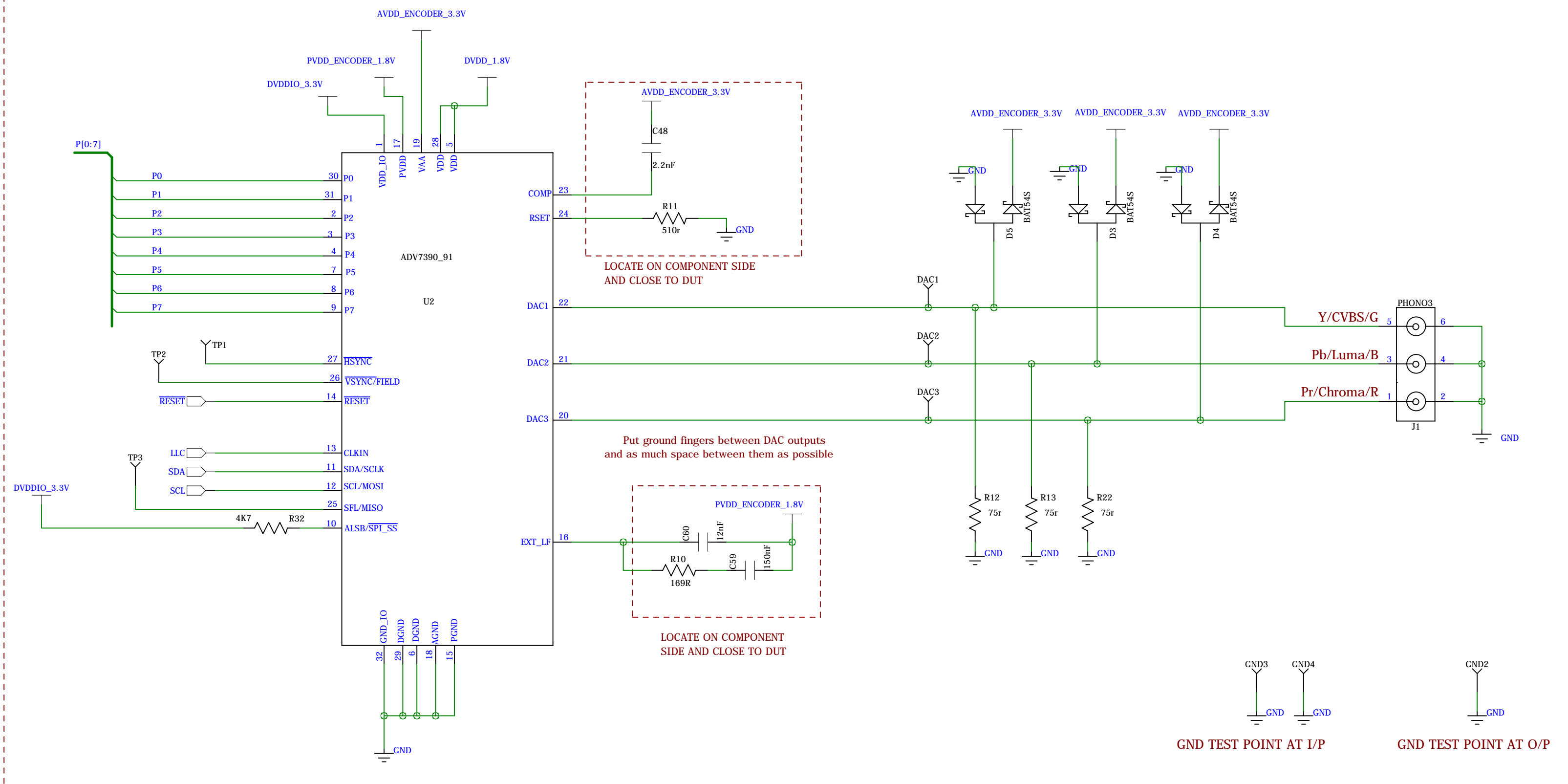
3

2

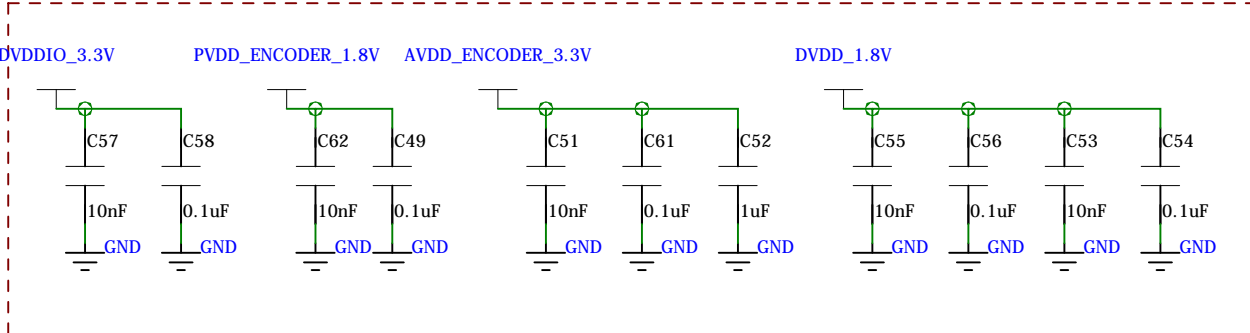
1

ADV7391

REVISION RECORD			
LTR	ECO NO:	APPROVED:	DATE:



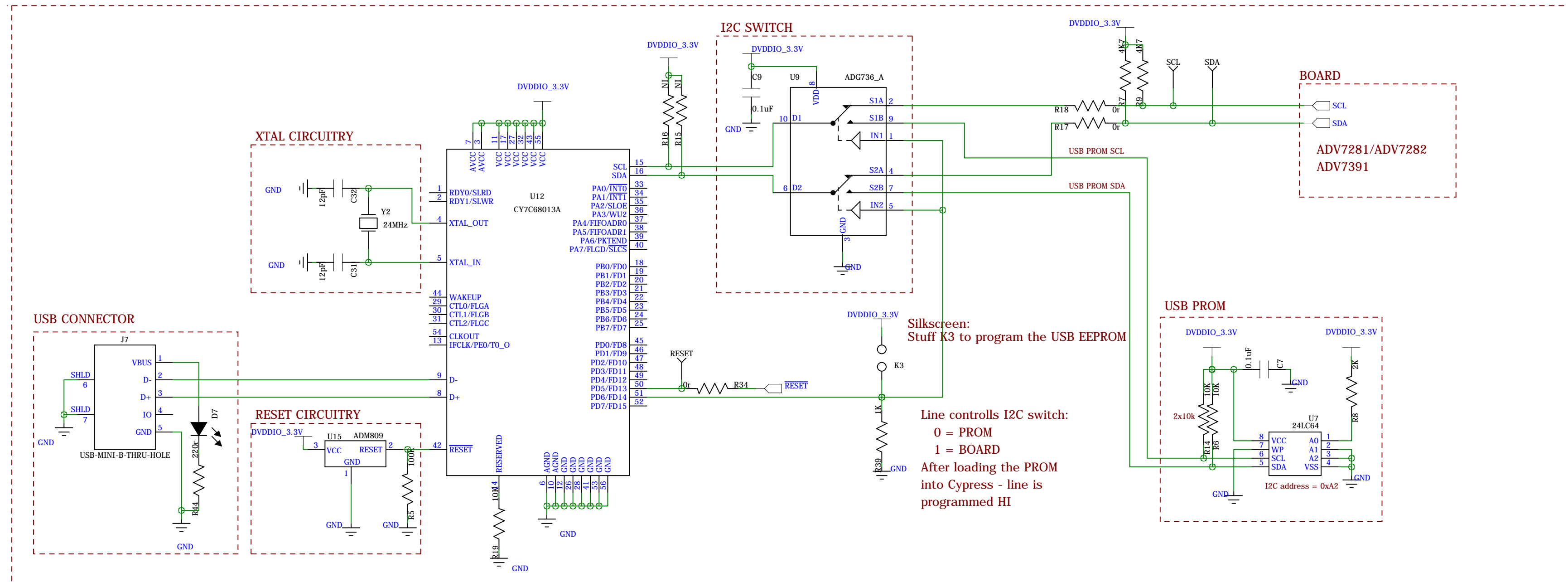
ADV7391 Power Supply Decoupling



COMPANY:				Analog Devices			
TITLE:				ADV7281/7282			
DRAWN:	ROB HINCHY	DATED:	OCTOBER 2013	CODE:	SIZE:	DRAWING NO.:	REV.:
CHECKED:	<Checked By>	DATED:	<Checked Date>	<Code>	A2	Rev. 0	B
QUALITY CONTROL:	<QC By>	DATED:	<QC Date>				
RELEASED:	<Released By>	DATED:	<Release Date>	SCALE:	<Scale>	SHEET: 2 OF 4	

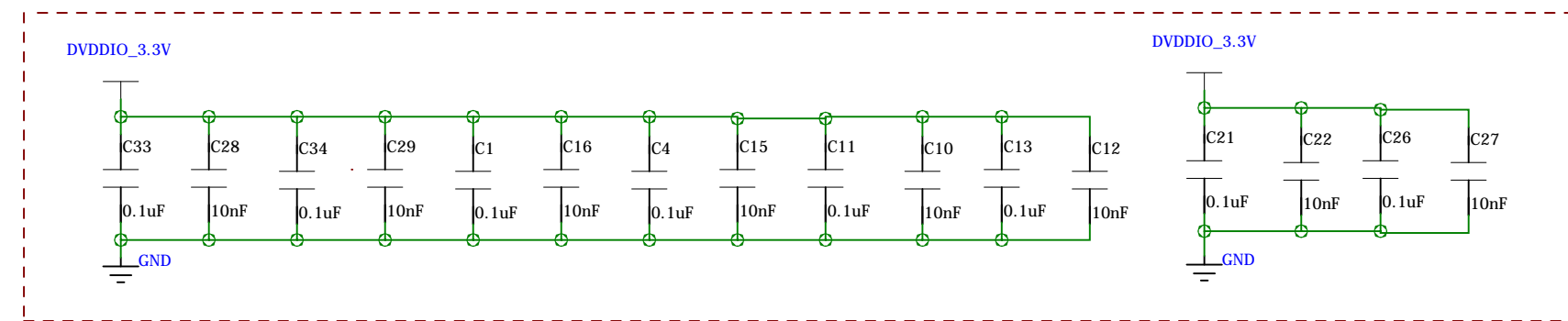
REVISION RECORD			
LTR	ECO NO.	APPROVED:	DATE:

USB



Silkscreen:
 Stuff K3 to program the USB EEPROM
 Line controls I2C switch:
 0 = PROM
 1 = BOARD
 After loading the PROM into Cypress - line is programmed HI

Decoupling



COMPANY: Analog Devices			
TITLE: ADV7281/7282			
DRAWN: Rob Hinchy	DATED: October 2013	CODE:	SIZE: A2
CHECKED: <Checked By>	DATED: <Checked Date>	DRAWING NO: <Code>	REV: B
QUALITY CONTROL: <QC By>	DATED: <QC Date>	Rev. 0	
RELEASED: <Released By>	DATED: <Release Date>	SCALE: <Scale>	SHEET: 3 of 4

6

5

4

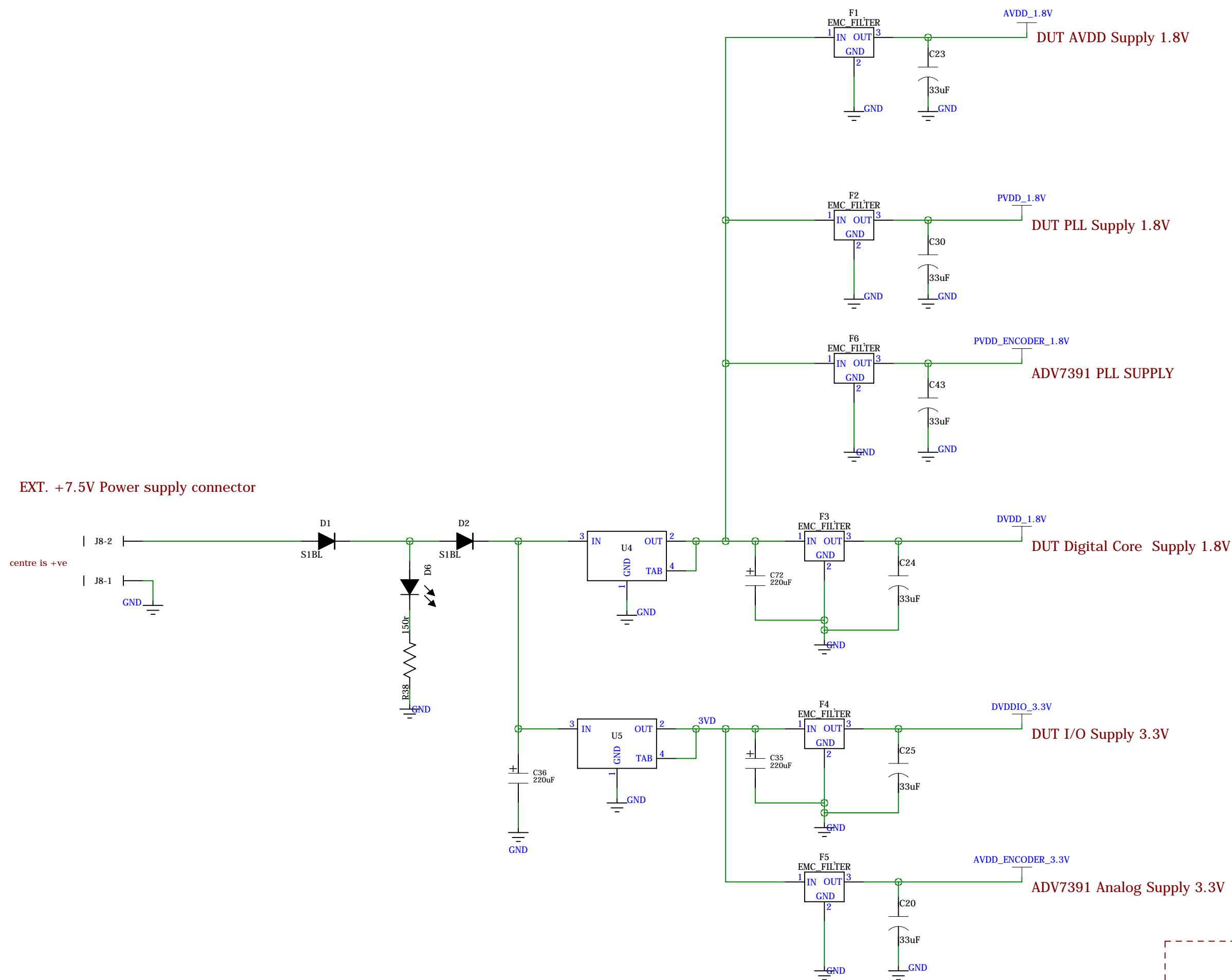
3

2

1

REVISION RECORD			
LTR	ECO NO:	APPROVED:	DATE:

Power Section



COMPANY: Analog Devices

TITLE: ADV7281/7282

DRAWN: Rob Hinchy	DATED: October 2013
CHECKED: <Checked By>	DATED: <Checked Date>
QUALITY CONTROL: <QC By>	DATED: <QC Date>
RELEASED: <Released By>	DATED: <Release Date>

CODE: <Code>	SIZE: A2	DRAWING NO: Rev. 0	REV: B
SCALE: <Scale>			SHEET: 4 OF 4