

REVISIONS			
REV	DESCRIPTION	DATE	APPROVED
B	ADDED SERIES TERMINATORS ON AUDIO OUTPUTS	3-10-08	

HDMI Input

Component Video Input

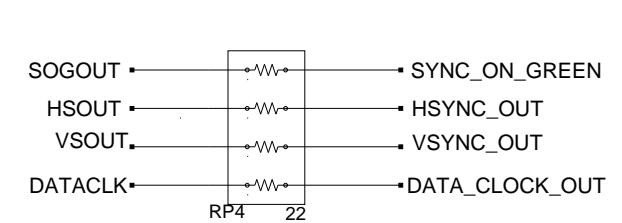
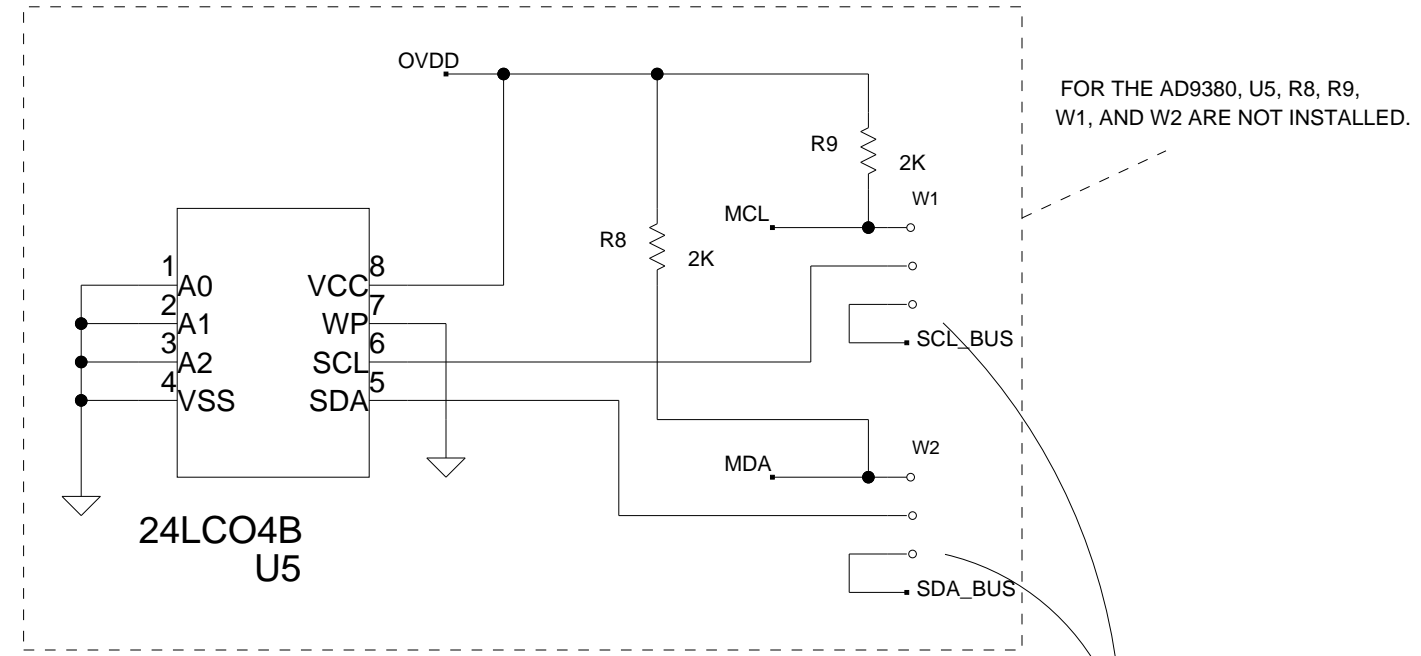
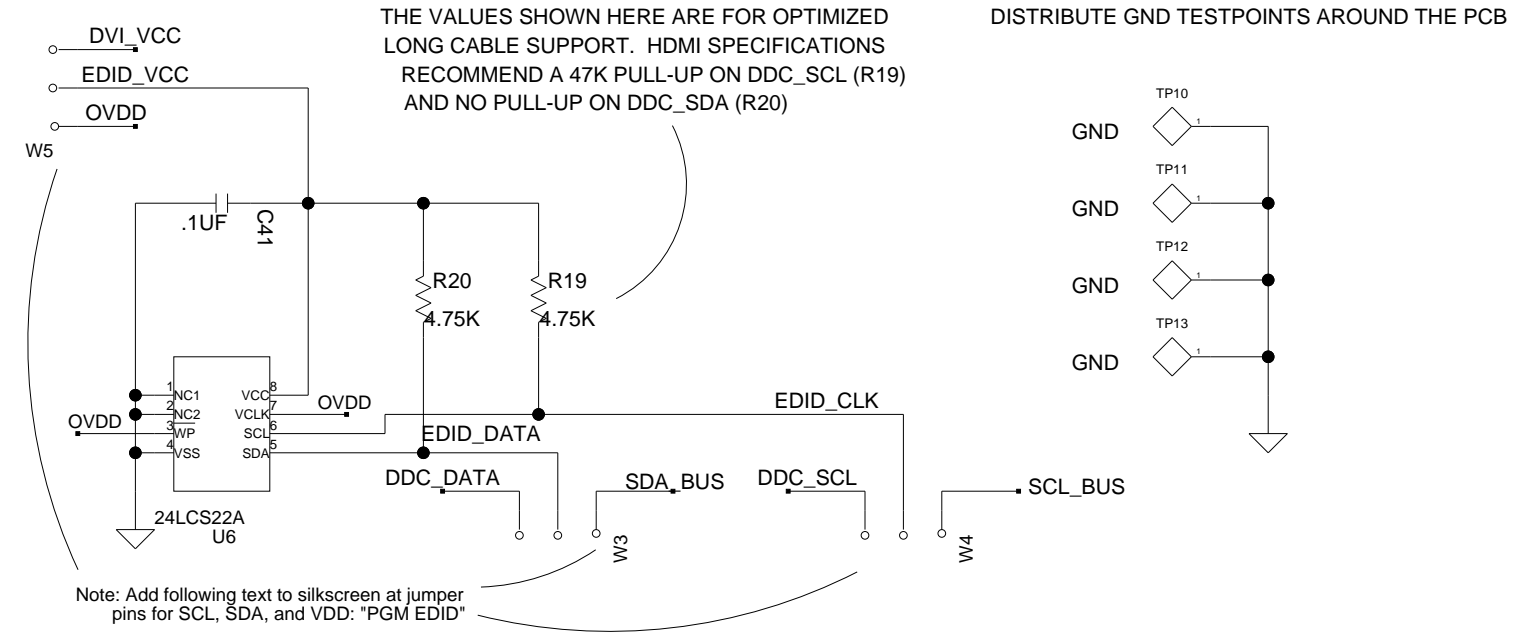
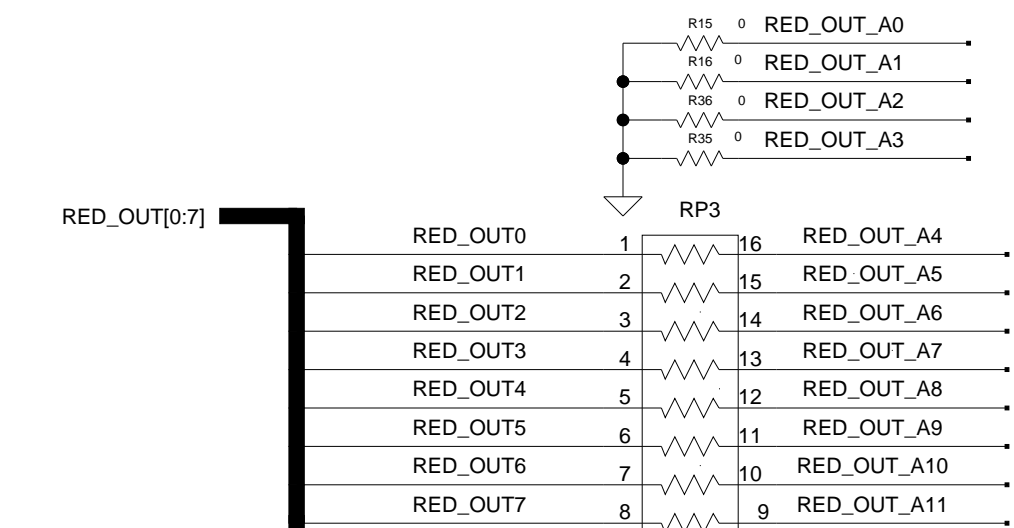
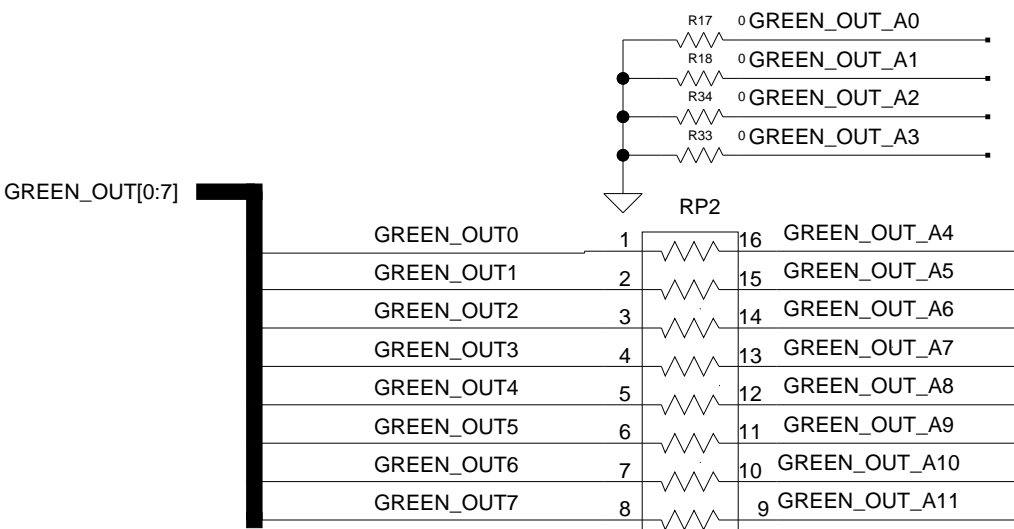
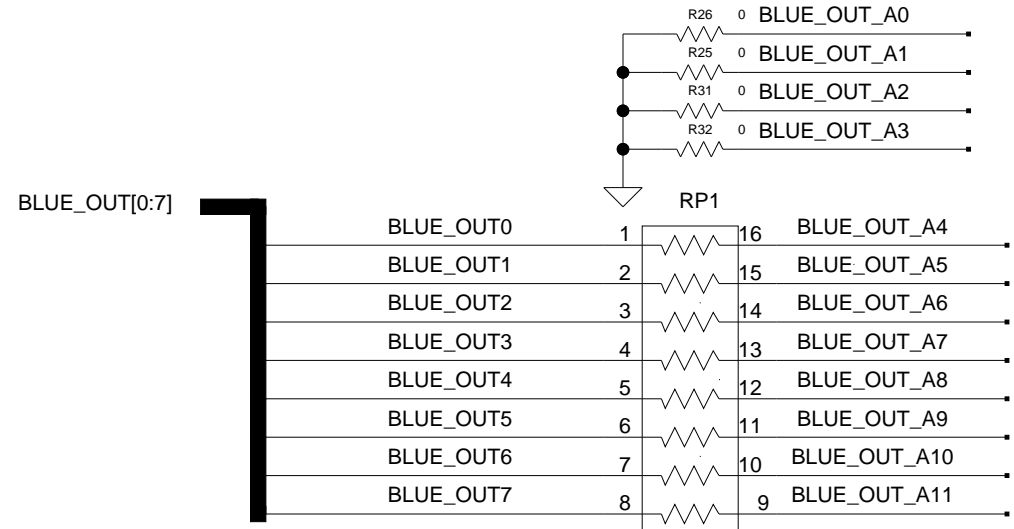
PC Graphics (RGB) Input

FOR THE AD9880, R5 IS NOT INSTALLED

FOR THE AD9380, R5 IS INSTALLED AND R21 IS NOT INSTALLED. PIN 51 IS NOT CONNECTED (OPEN)

Place these test points in the path of the signal (no stubs)

THE DIFFERENTIAL TMDS SIGNALS SHOULD BE ROUTED WITH 100 OHMS DIFFERENTIAL IMPEDANCE (50 OHMS TO GND)



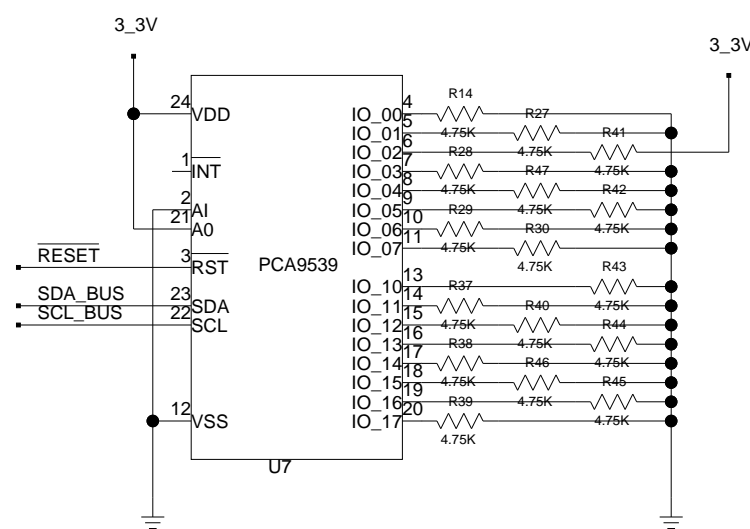
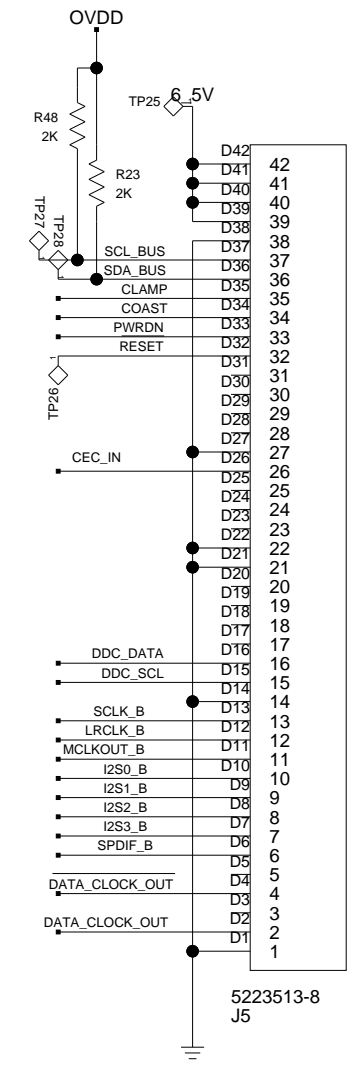
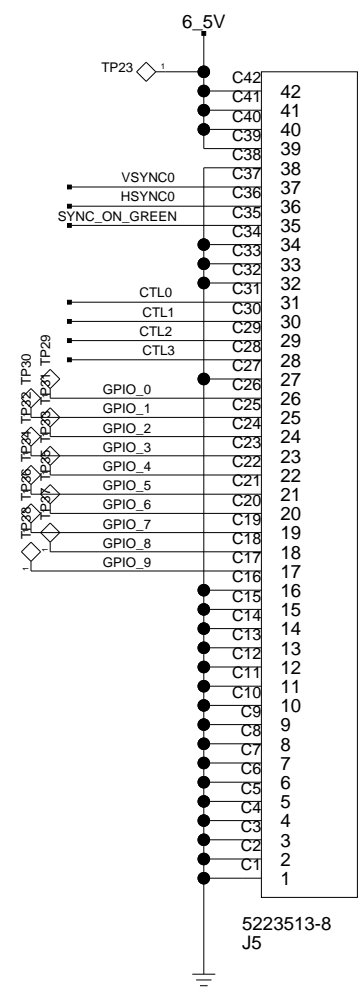
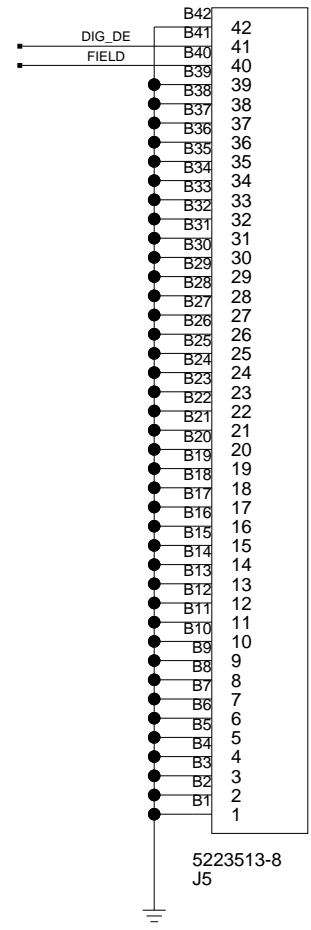
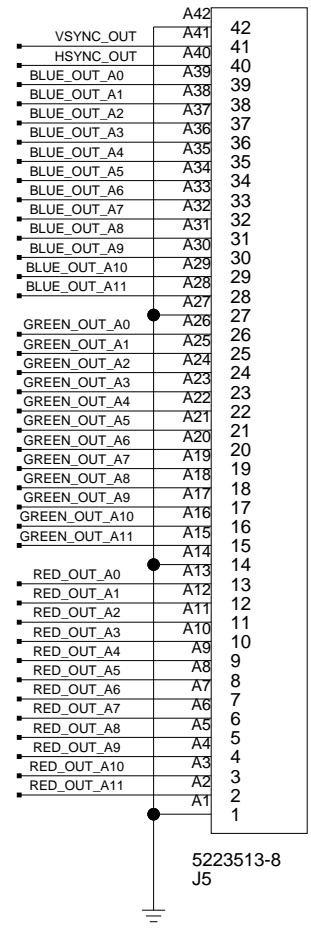
Note: Add following text to silkscreen at jumper pins for SCL and SDA: "PGM HDCP"

NOTE: ADD NET NAME TO SILKSCREEN WHERE THERE ARE TEST POINTS SERIES OUTPUT RESISTORS, EDID AND HDCP EEPROMS

	<b>HSC GREENSBORO</b> 7910 TRIAD CENTER DRIVE GREENSBORO NC 27409	SIZE	GSO9297A		REV	
		B	DRAWING NUMBER	GSO9297A		
			DRAWING TITLE	ATV AD9880/AD9380 REFERENCE DESIGN		
		DRAWN BY:	D. JONES	DESIGNEDBY:		

REVISIONS

REV	DESCRIPTION	DATE
B	ADDED I2C PULL-UPS, ADDED GNDS AND TP'S TO J5	3-10-08



Device ID = 0x04 (read @ address 0xE8)



SIZE <b>B</b>	DRAWING NUMBER <b>GSO9297A</b>		REV <b>B</b>
	DRAWING TITLE <b>ATV AD9880/AD9380 REFERENCE DESIGN</b>		
	DRAWN BY: <b>D. JONES</b>	DESIGNED BY:	

