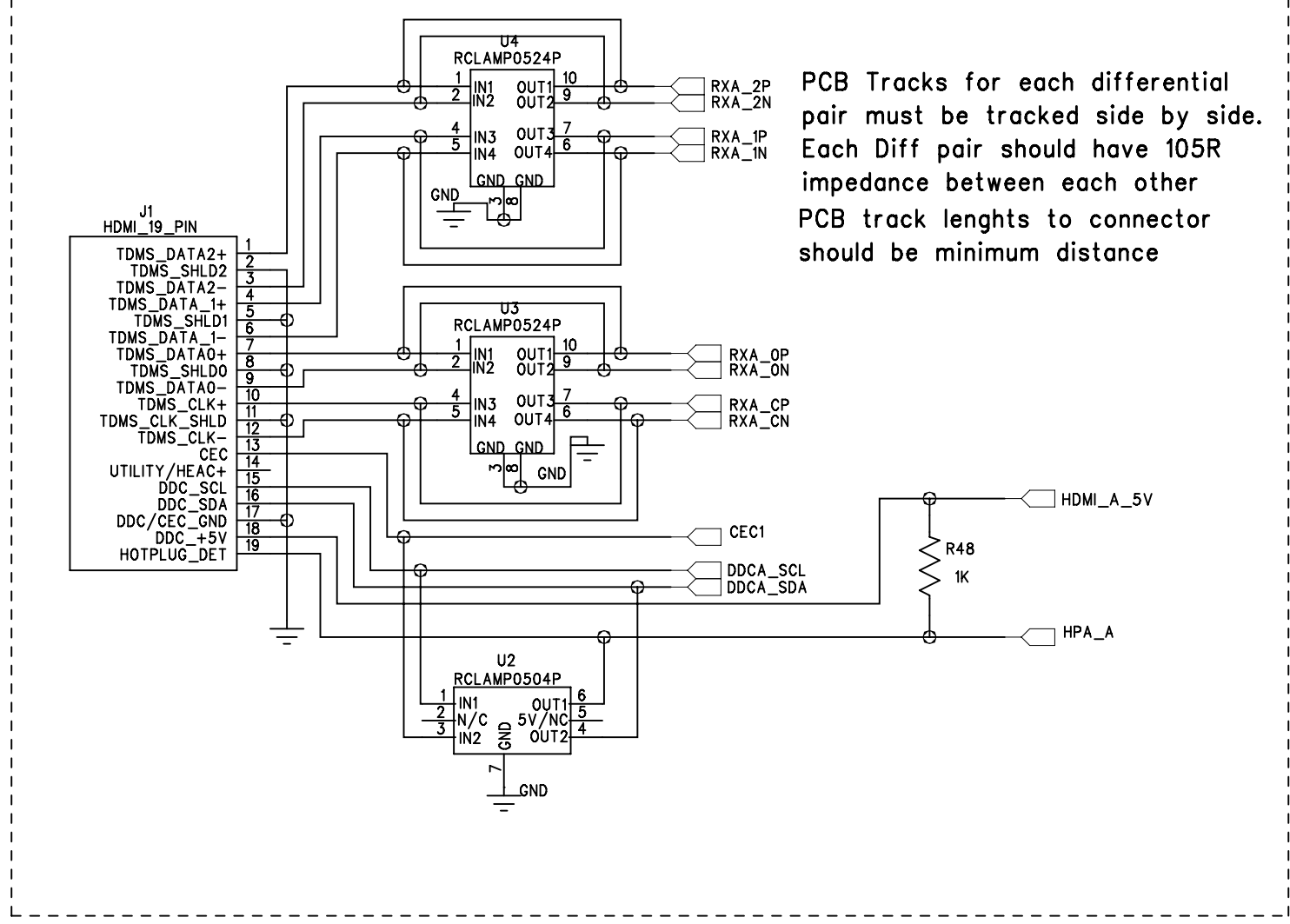
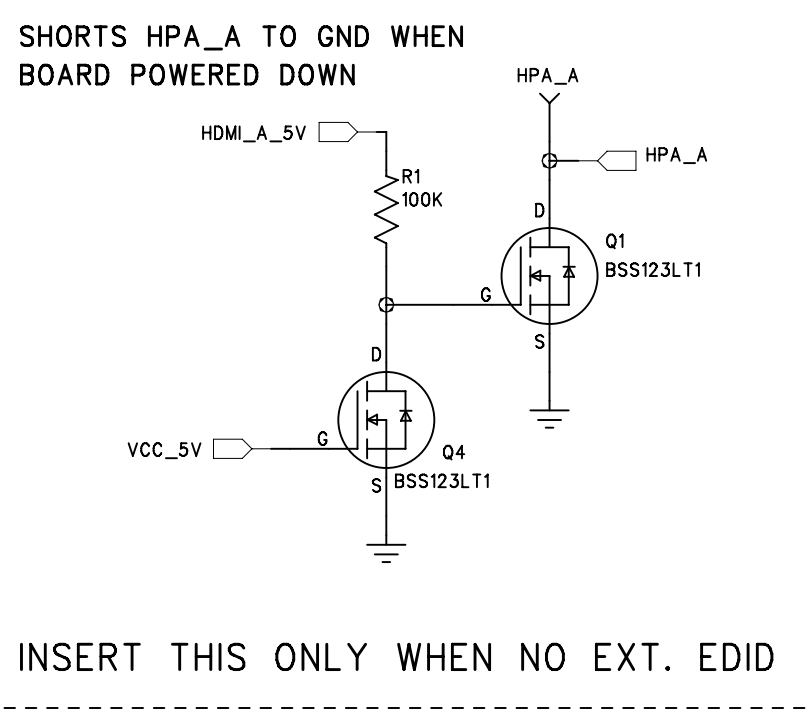


REVISION RECORD			
LTR	ECO NO:	APPROVED:	DATE:

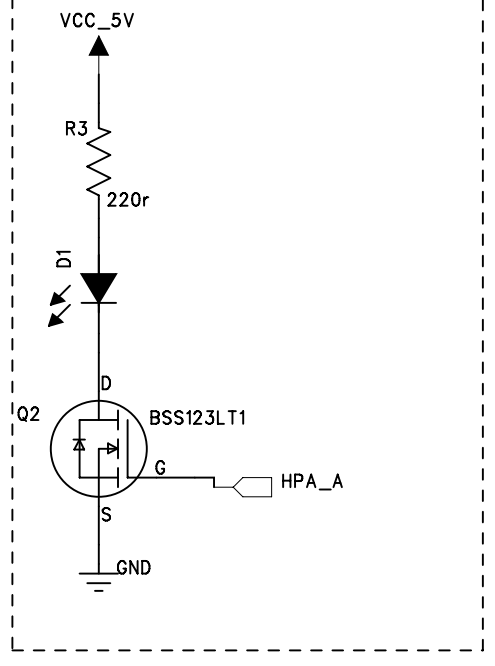
### HDMI Port A – Connector and ESD Suppression



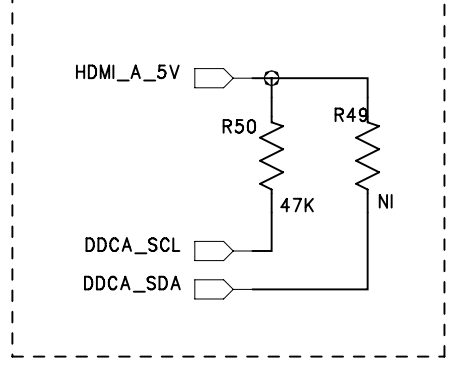
### HPD A



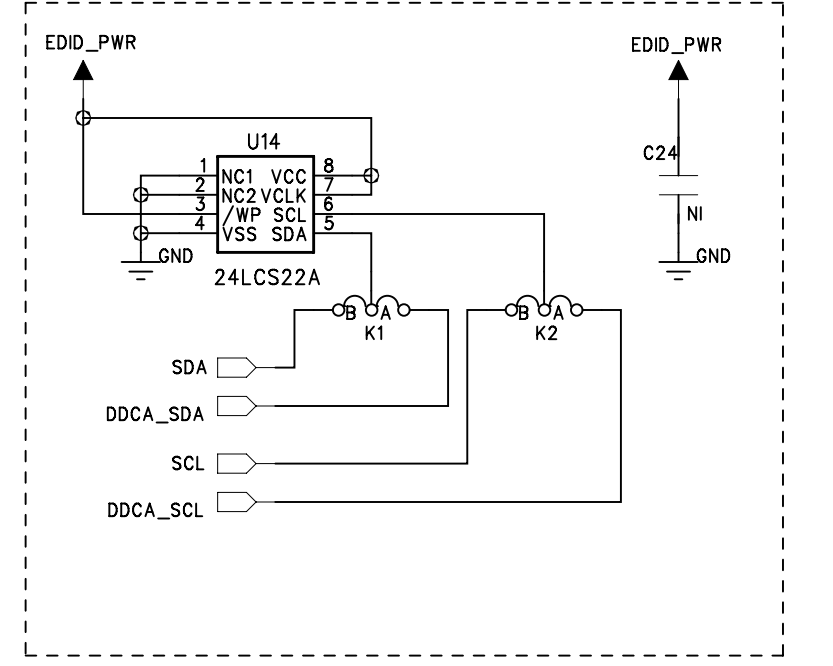
### HPD A LED



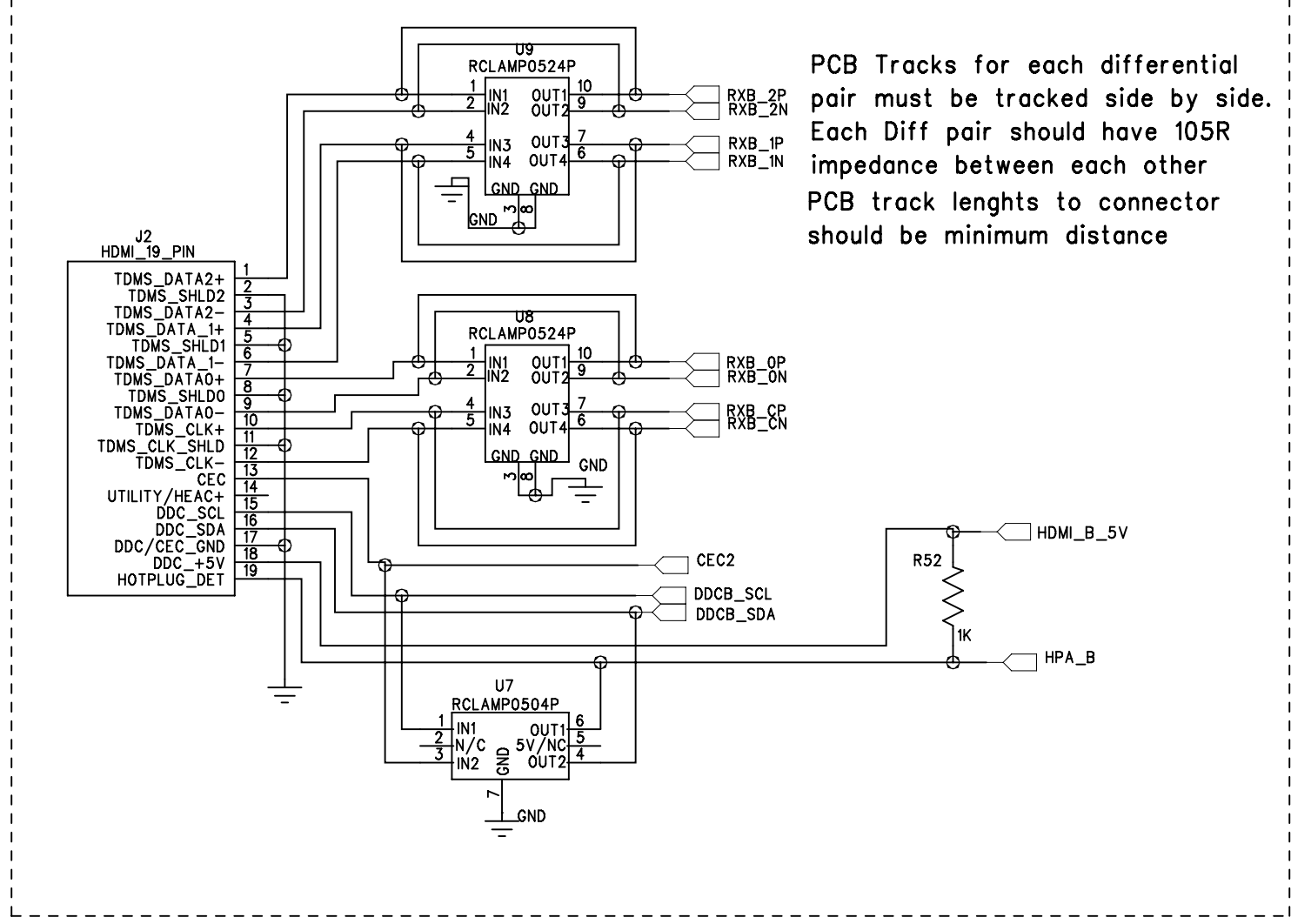
### DDC A Circuitry



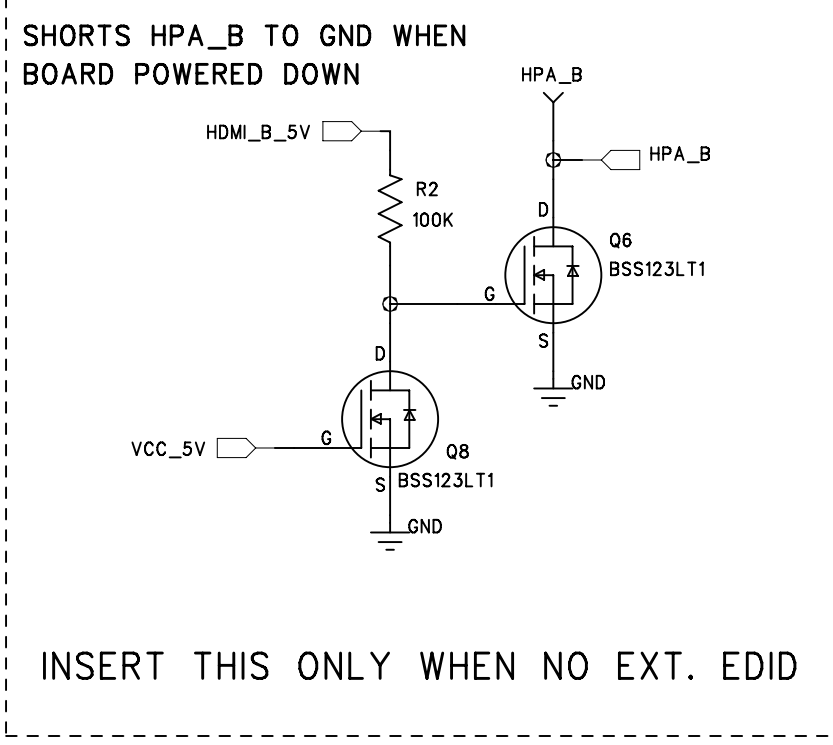
### EDID1



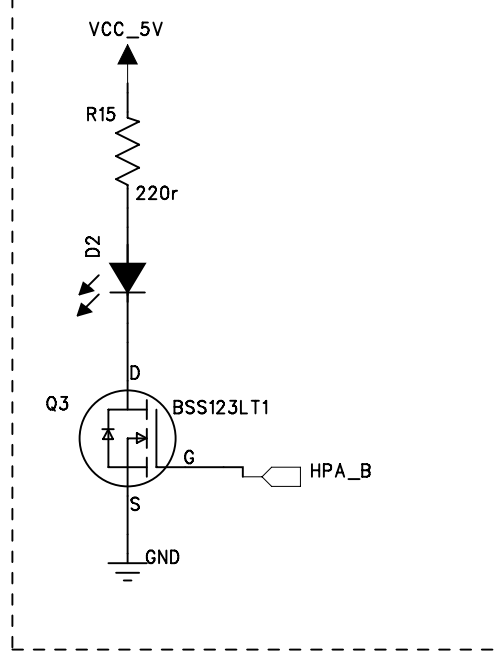
### HDMI Port B – Connector and ESD Suppression



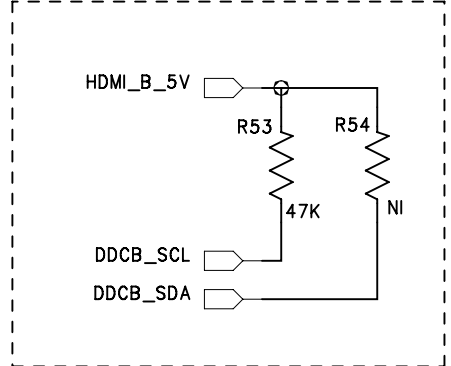
### HPD B



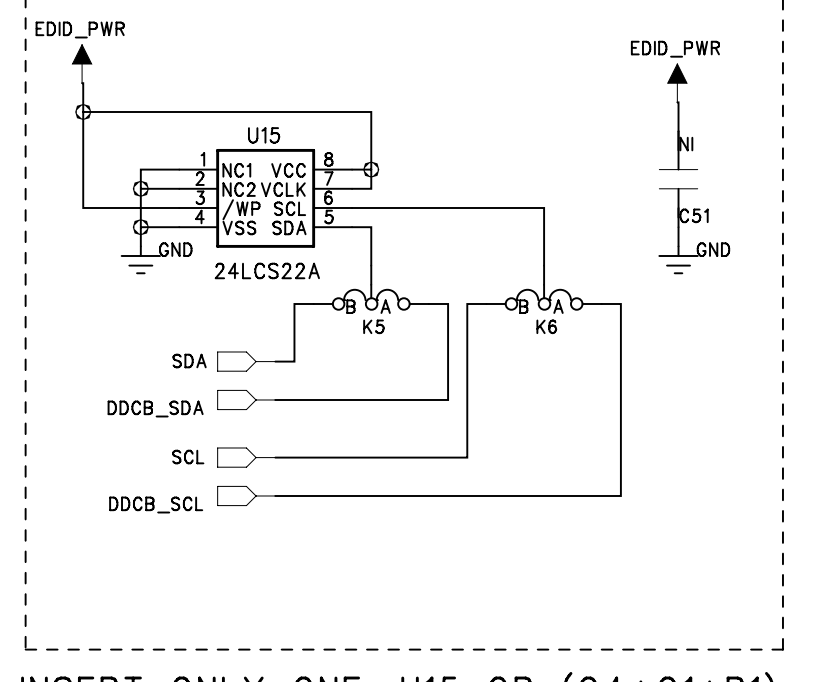
### HPD B LED



### DDC B Circuitry



### EDID2



COMPANY: Analog Devices

TITLE: ATV Group  
ADV7619 Eval Board:  
HDMI Connector Sheet

DRAWN:	DATED: 31 Mar 11
CHECKED:	DATED:
QUALITY CONTROL:	DATED:
RELEASED:	DATED:

CODE:	SIZE:	DRAWING NO:	REV: <b>B</b>
SCALE:			SHEET: 1 OF 5

6

5

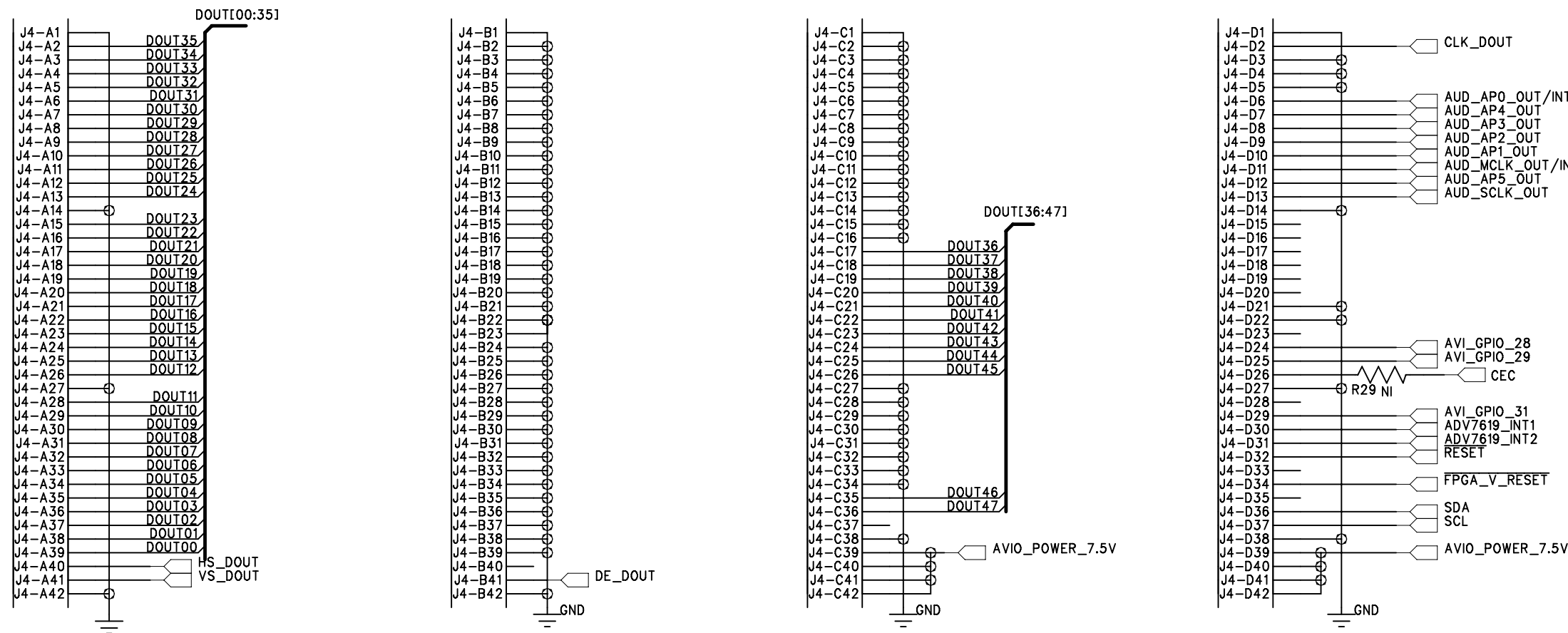
4

3

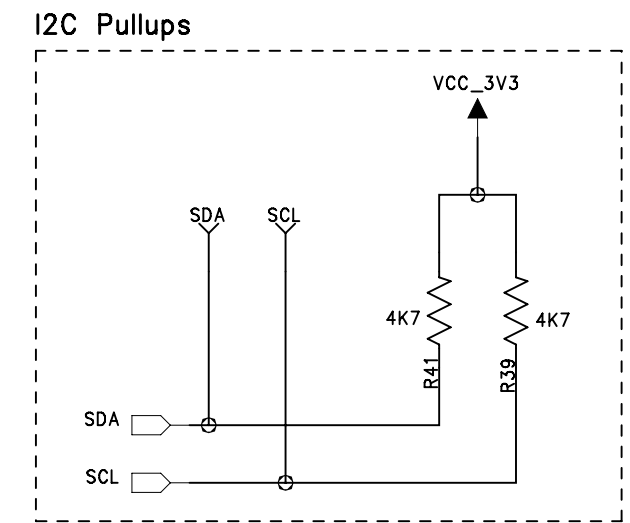
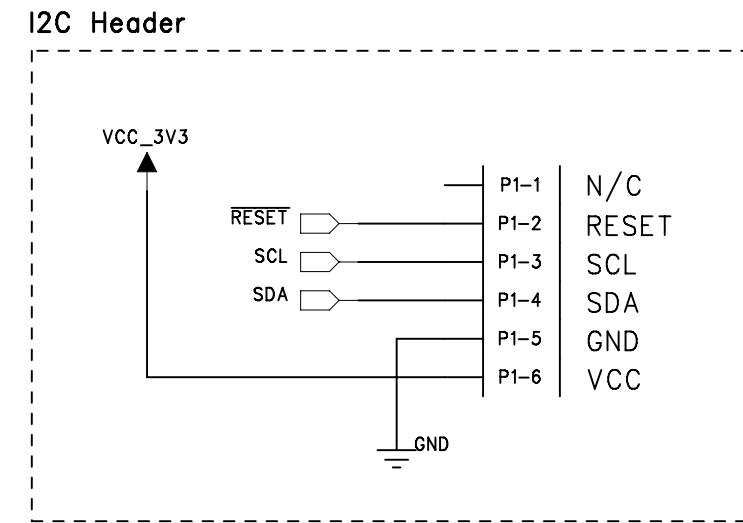
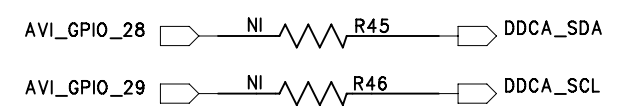
2

1

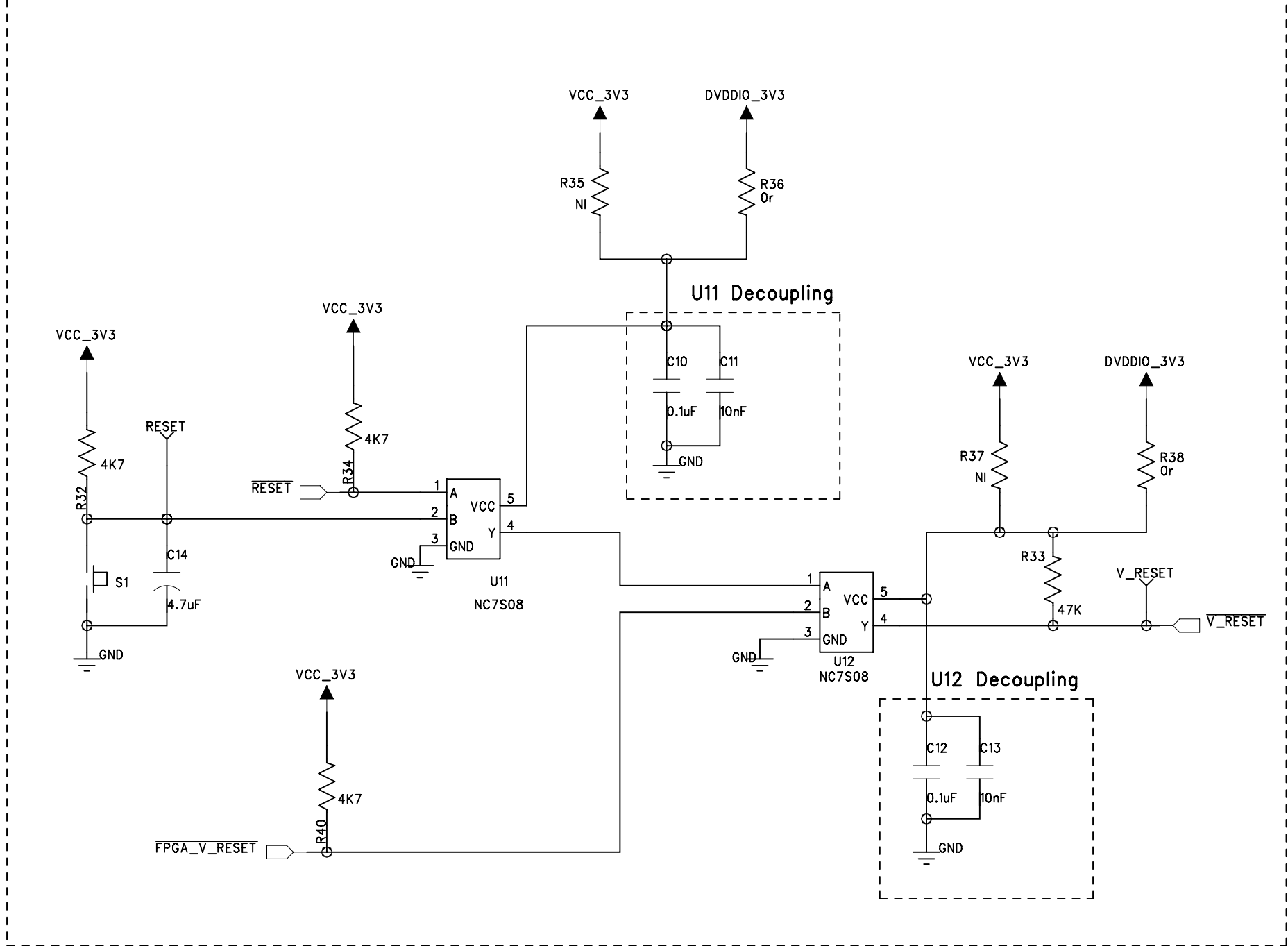
168-Pin Connector



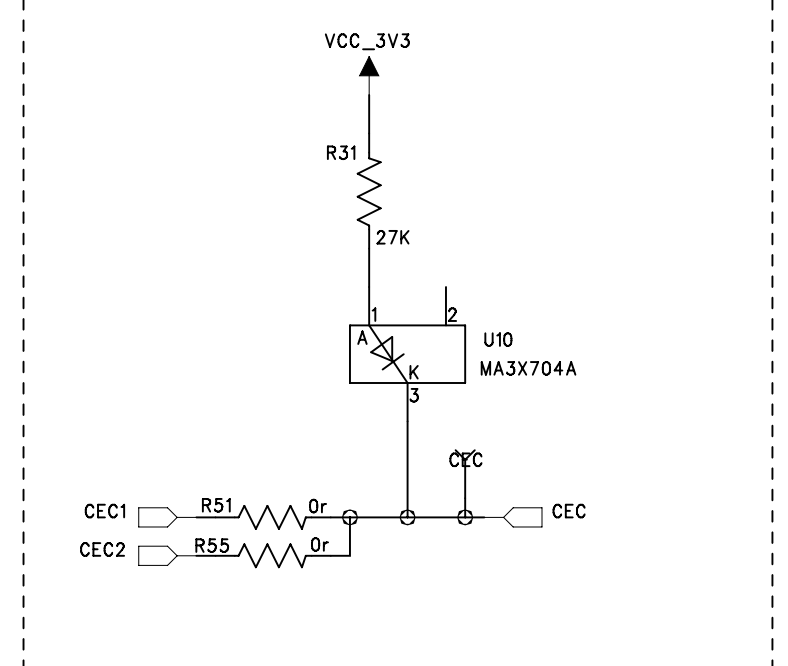
REVISION RECORD			
LTR	ECO NO:	APPROVED:	DATE:



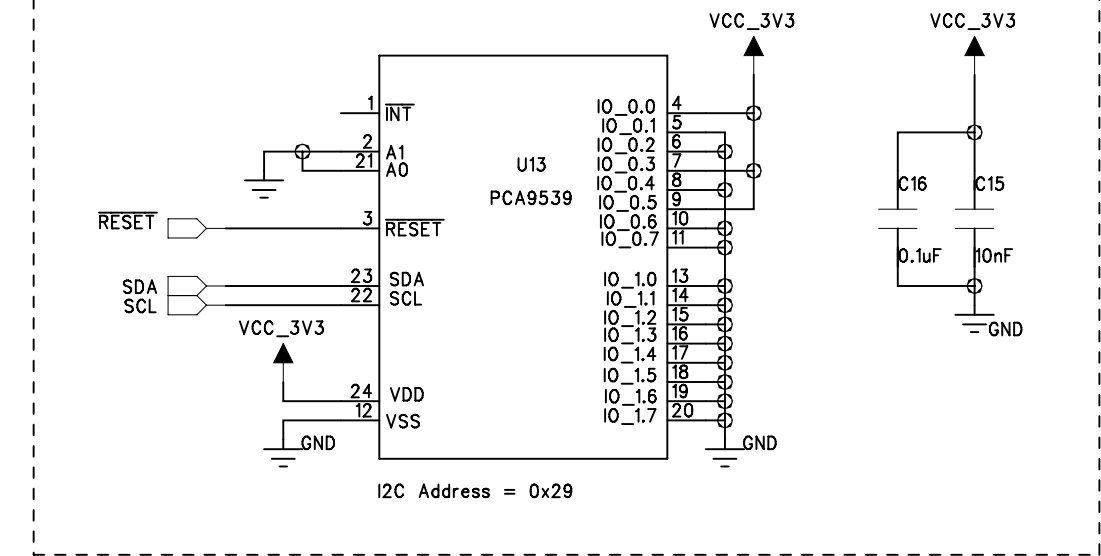
Reset Circuitry



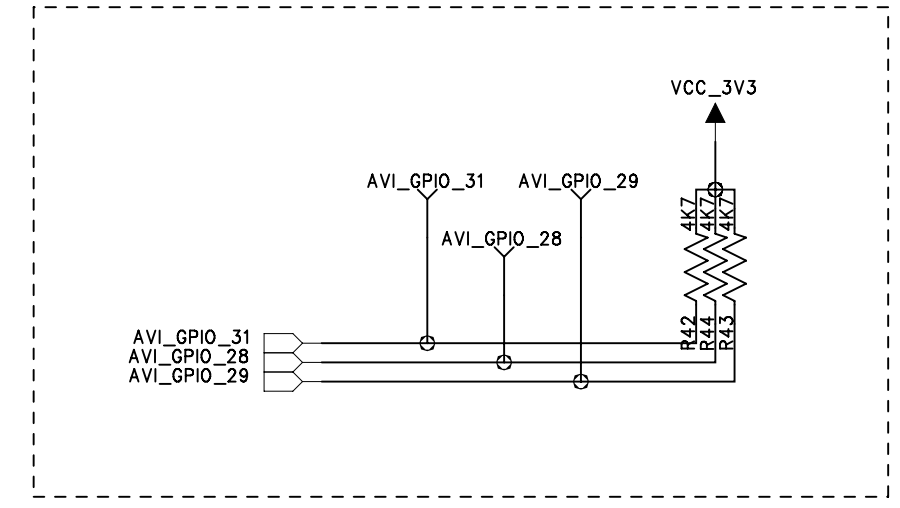
CEC To 168-Pin Connector



Board Identification Bus Expander



GPIOs



COMPANY: Analog Devices			
TITLE: ATV Group ADV7619 Eval Board: Miscellaneous Digital			
DRAWN:	DATED: 31 Mar 11	CODE:	SIZE:
CHECKED:	DATED:	DRAWING NO:	REV: B
QUALITY CONTROL:	DATED:	SHEET: 2 OF 5	
RELEASED:	DATED:	SCALE:	



6

5

4

3

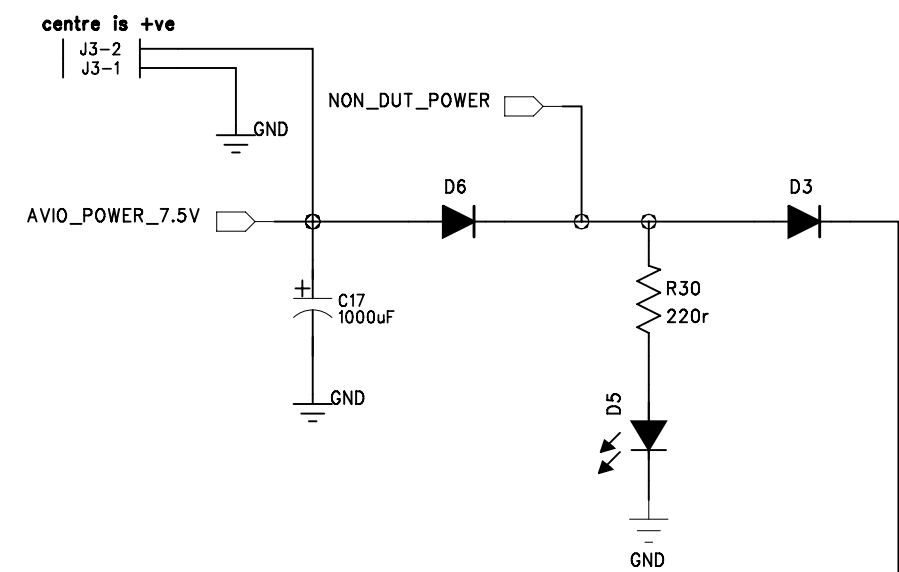
2

1

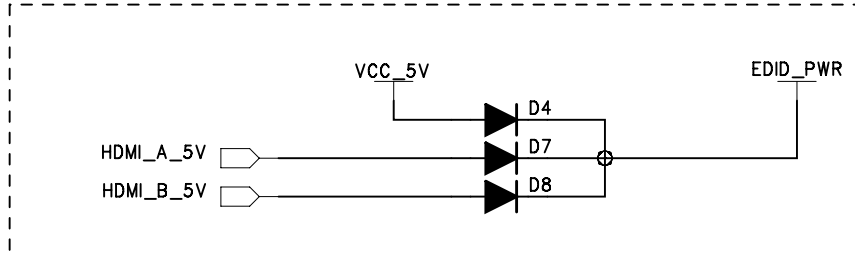
REVISION RECORD			
LTR	ECO NO:	APPROVED:	DATE:

D

D



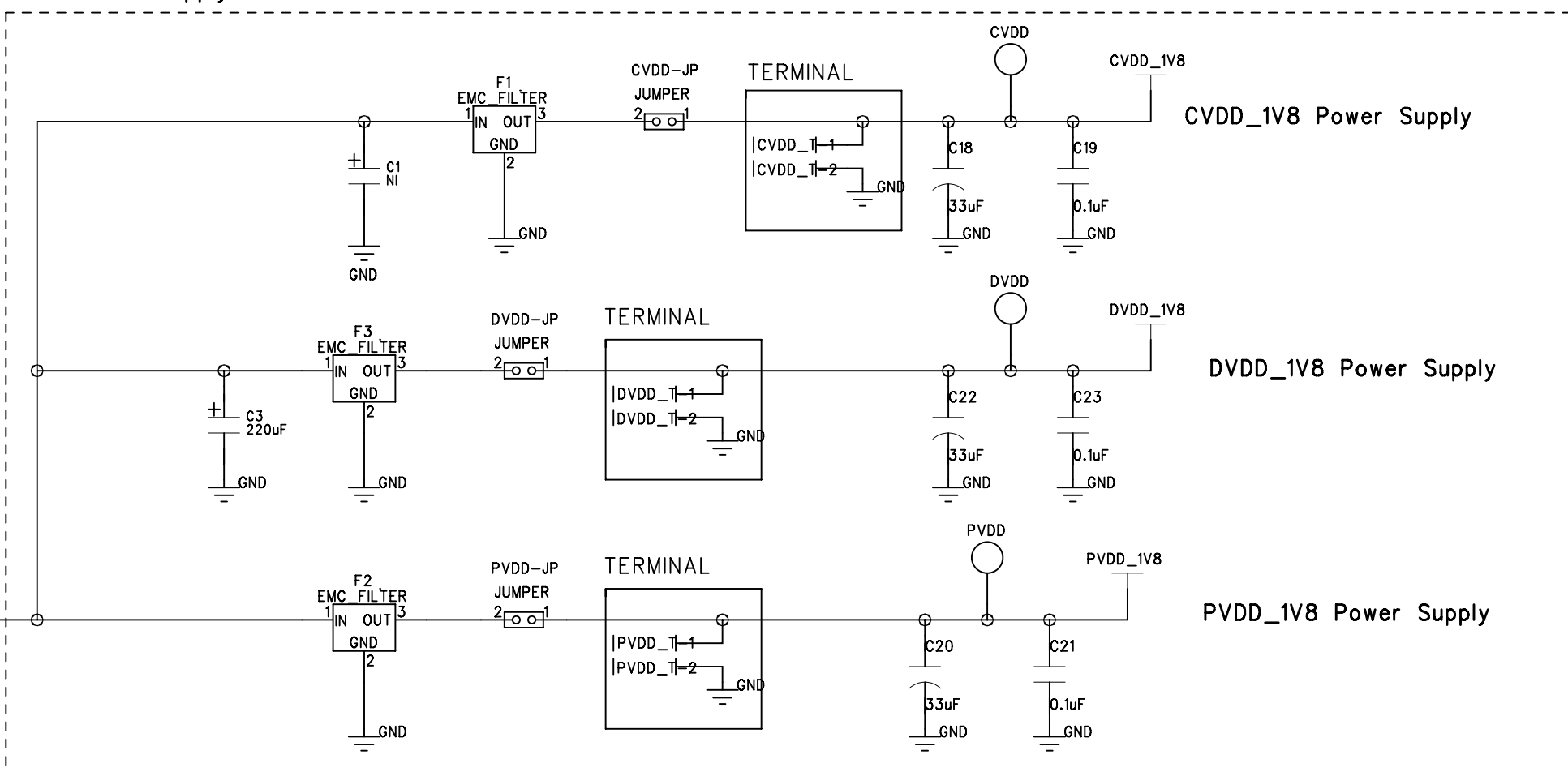
EDID HDMI Power



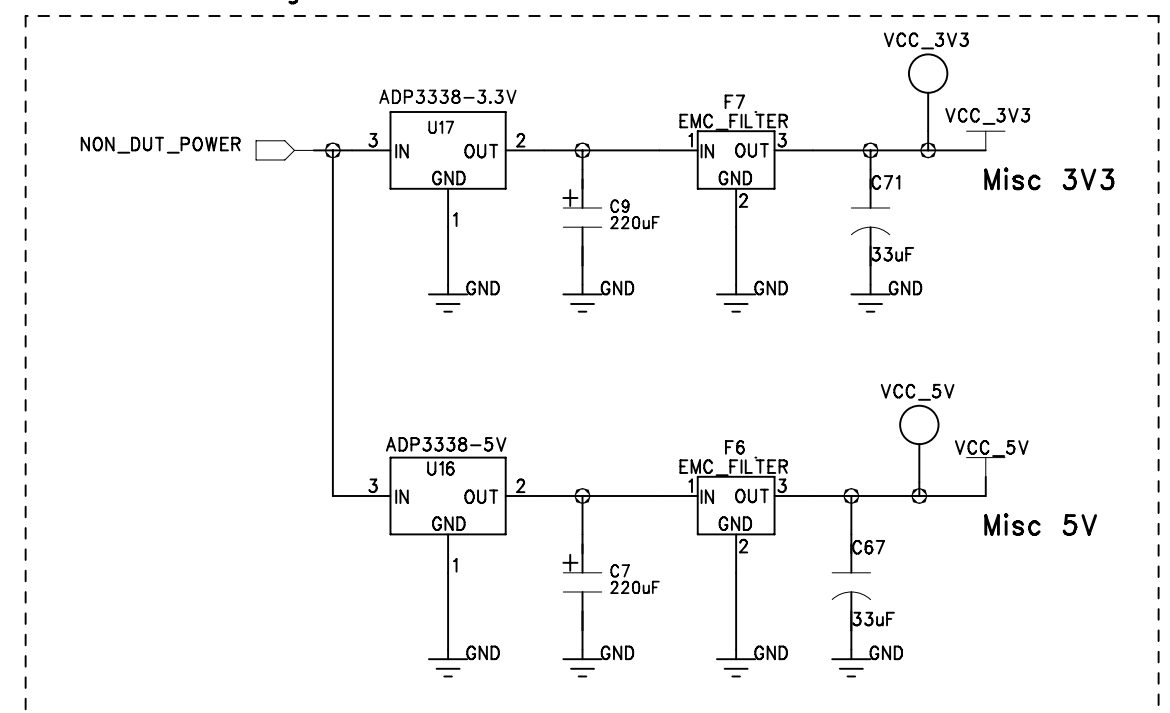
C

C

1V8 Power Supply Section



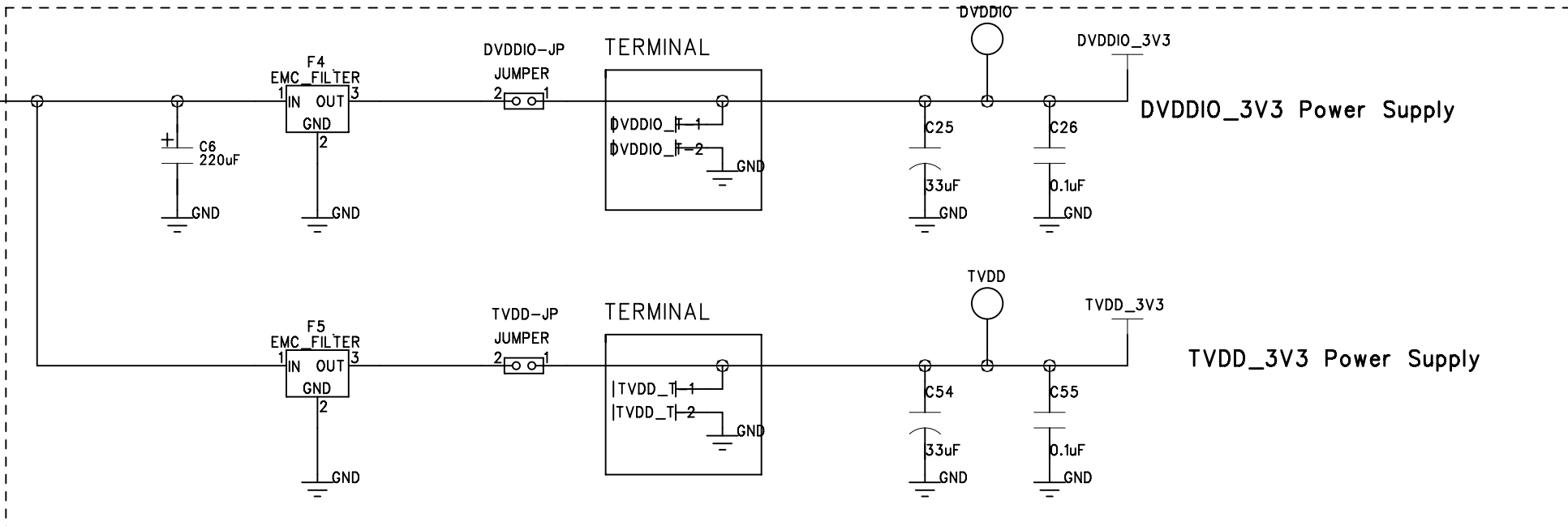
General Power Regs



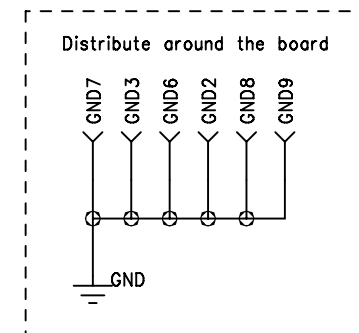
B

B

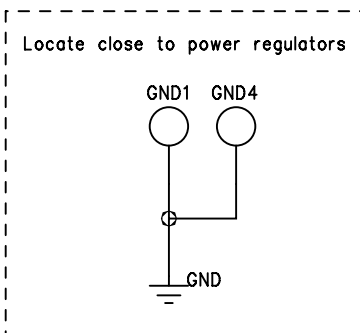
3V3 Power Supply Section



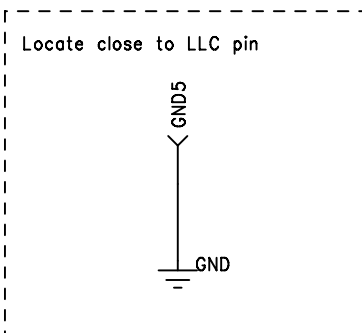
Ground Test Points 1



Ground Test Points 2



Ground Test Points 3



A

A

COMPANY: Analog Devices			
TITLE: ATV Group			
ADV7619 Eval Board: Board Power Supply			
CODE:	SIZE:	DRAWING NO:	REV: <b>B</b>
SCALE:			SHEET: 4 OF 5

DRAWN:	DATED: 31 Mar 11
CHECKED:	DATED:
QUALITY CONTROL:	DATED:
RELEASED:	DATED:

6

5

4

3

2

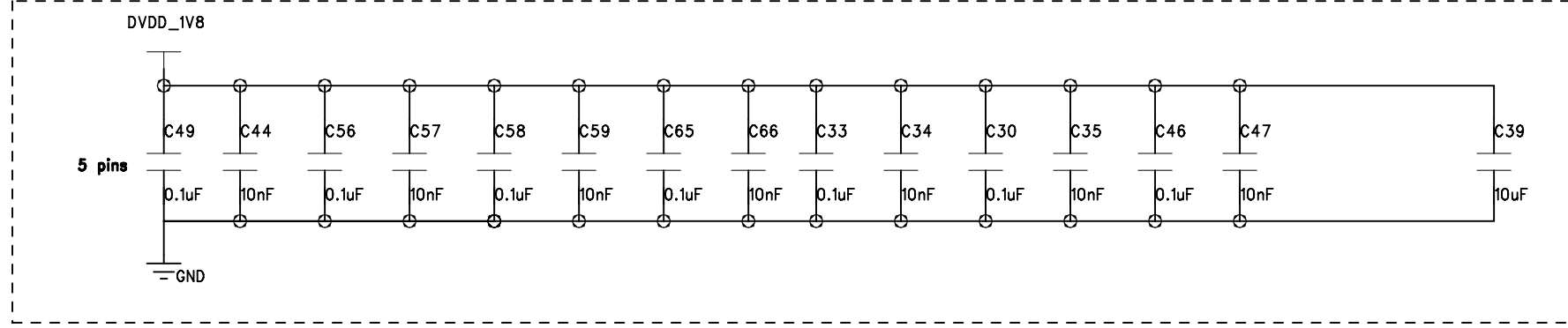
1

REVISION RECORD			
LTR	ECO NO:	APPROVED:	DATE:

D

D

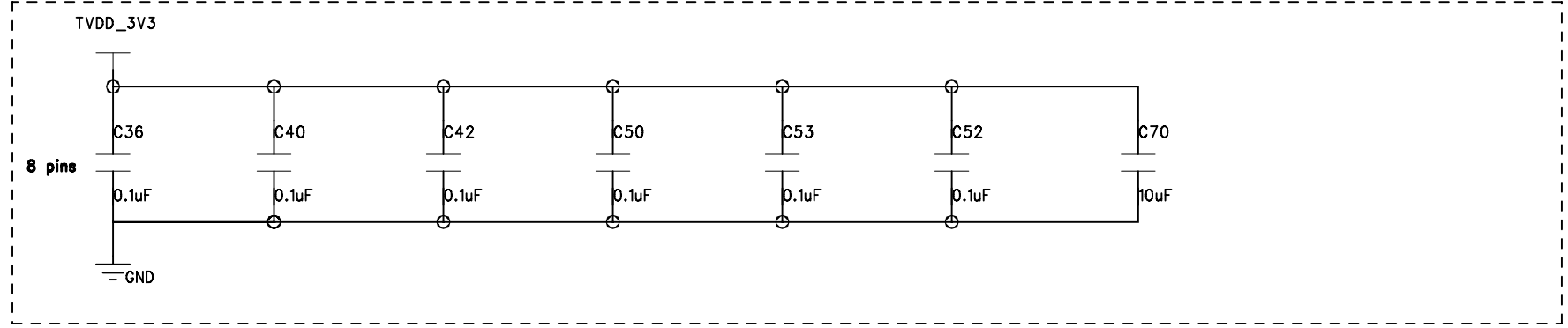
DVDD Decoupling



C

C

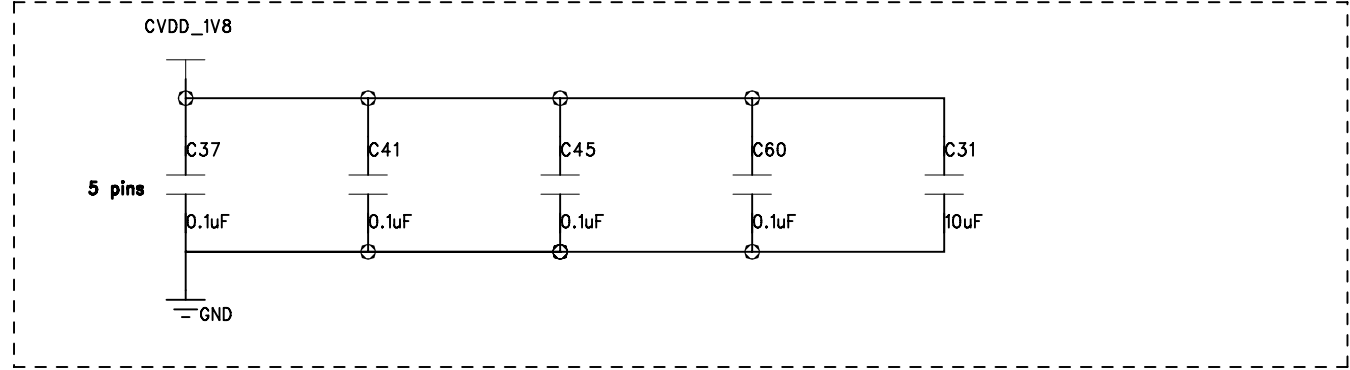
TVDD Decoupling



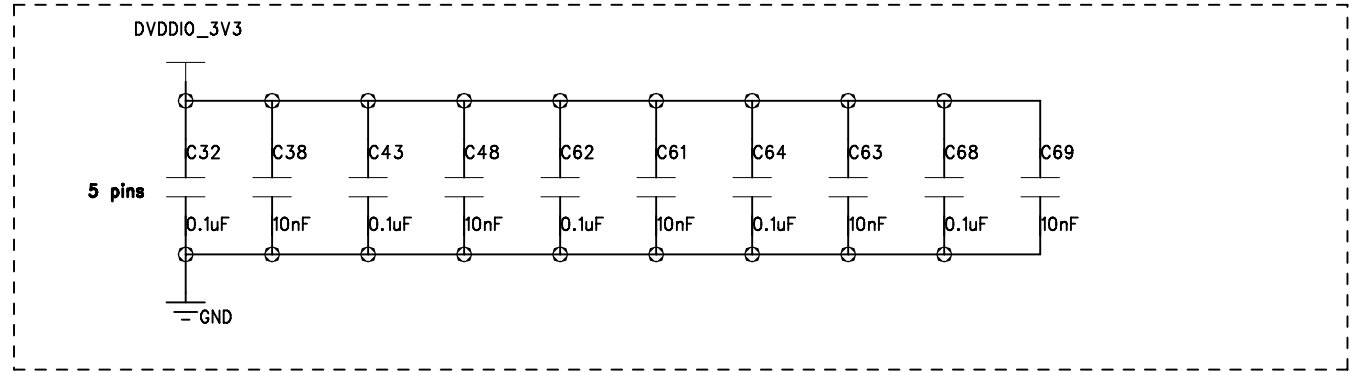
B

B

CVDD Decoupling



DVDDIO Decoupling



A

A

PVDD Decoupling



COMPANY: Analog Devices			
TITLE: ATV Group			
ADV7619 Eval Board: ADV7619 Decoupling			
CODE:	SIZE:	DRAWING NO:	REV: B
SCALE:			SHEET: 5 OF 5

DRAWN:	DATED: 31 Mar 11
CHECKED:	DATED:
QUALITY CONTROL:	DATED:
RELEASED:	DATED:

0