

**ANALOG  
DEVICES**

HSC GREENSBORO  
7910 TRIAD CENTER DRIVE  
GREENSBORO NC 27409

SIZE

**B**

DRAWING NUMBER

**GS08949A**

DRAWING TITLE

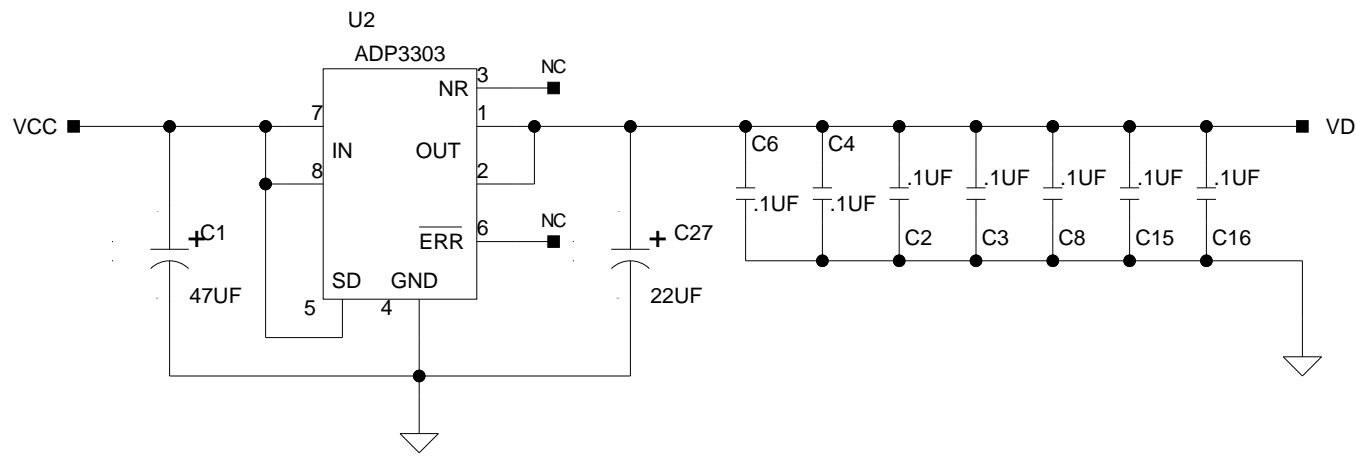
**AD9885A REFERENCE DESIGN**

DRAWN BY:

DESIGNED BY:

REV

**B**



Note: The 0.1uF bypass caps should be placed as close as possible to the appropriate pin on U1.

