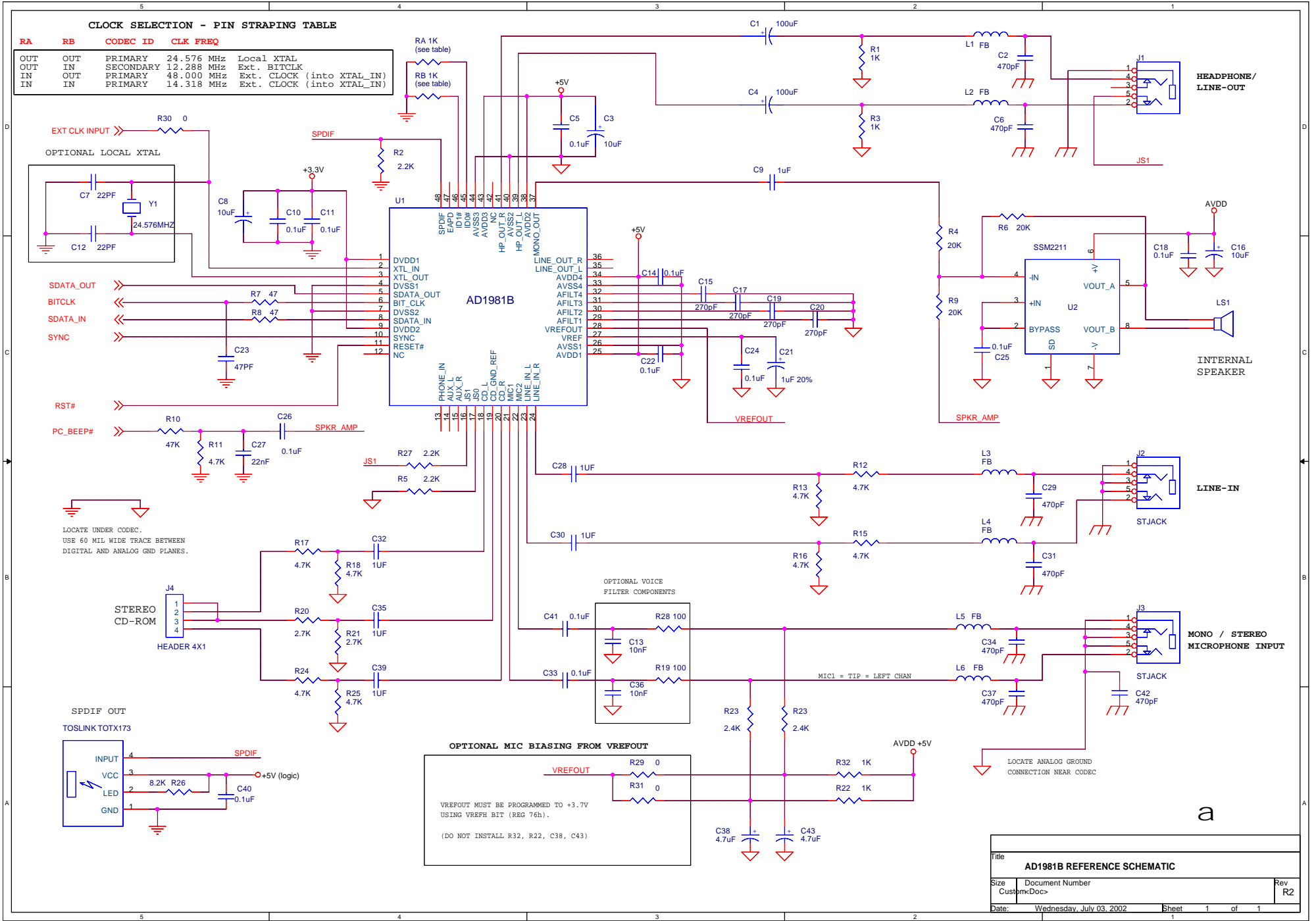


**CLOCK SELECTION - PIN STRAPING TABLE**

RA	RB	CODEC ID	CLK FREQ	
OUT	OUT	PRIMARY	24.576 MHz	Local XTAL
OUT	IN	SECONDARY	12.288 MHz	Ext. BITCLK
IN	OUT	PRIMARY	48.000 MHz	Ext. CLOCK (into XTAL_IN)
IN	IN	PRIMARY	14.318 MHz	Ext. CLOCK (into XTAL_IN)



LOCATE UNDER CODEC.  
USE 60 MIL WIDE TRACE BETWEEN  
DIGITAL AND ANALOG GND PLANES.

Title		
<b>AD1981B REFERENCE SCHEMATIC</b>		
Size	Document Number	Rev
Custom	<Doc>	R2
Date:	Wednesday, July 03, 2002	Sheet 1 of 1