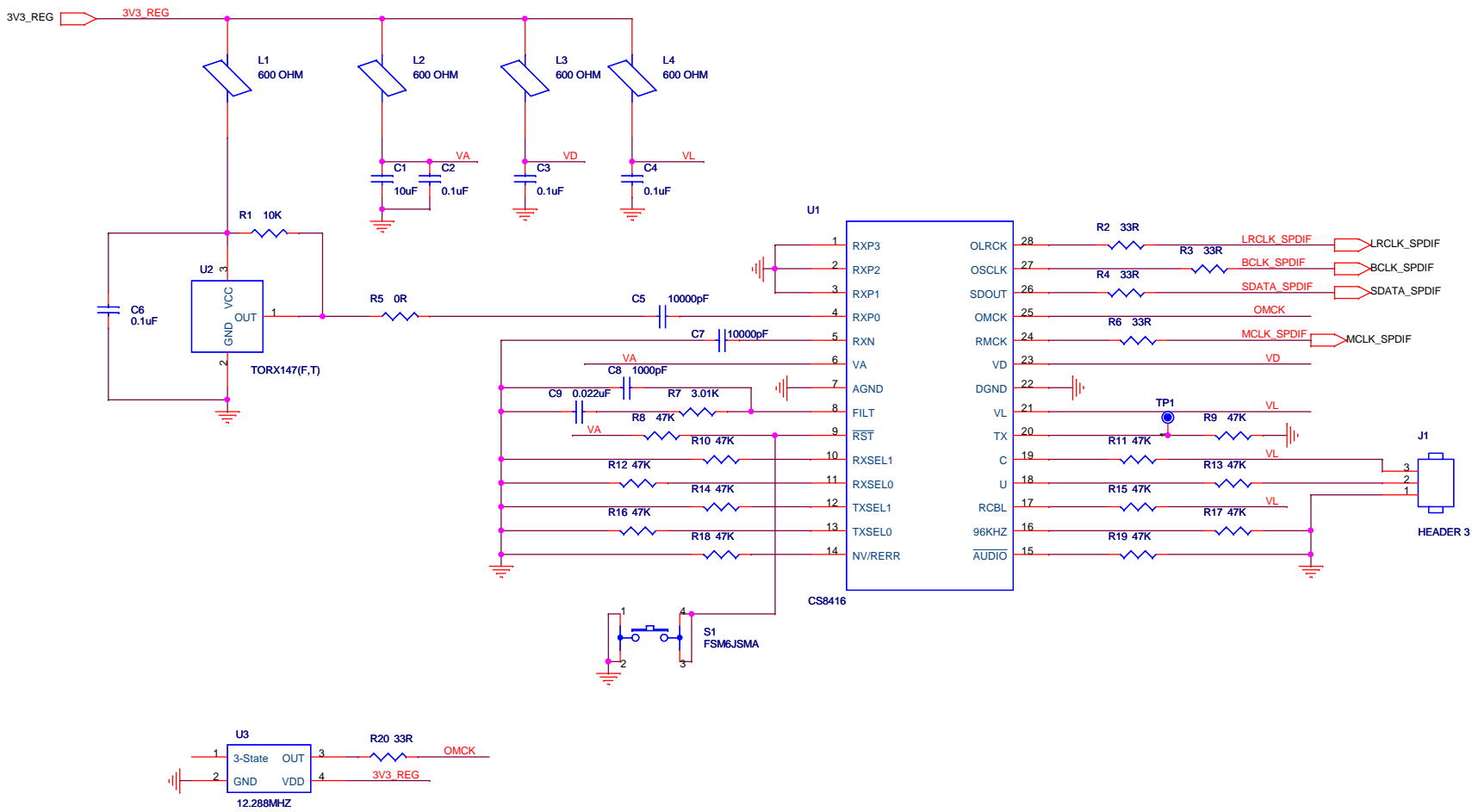

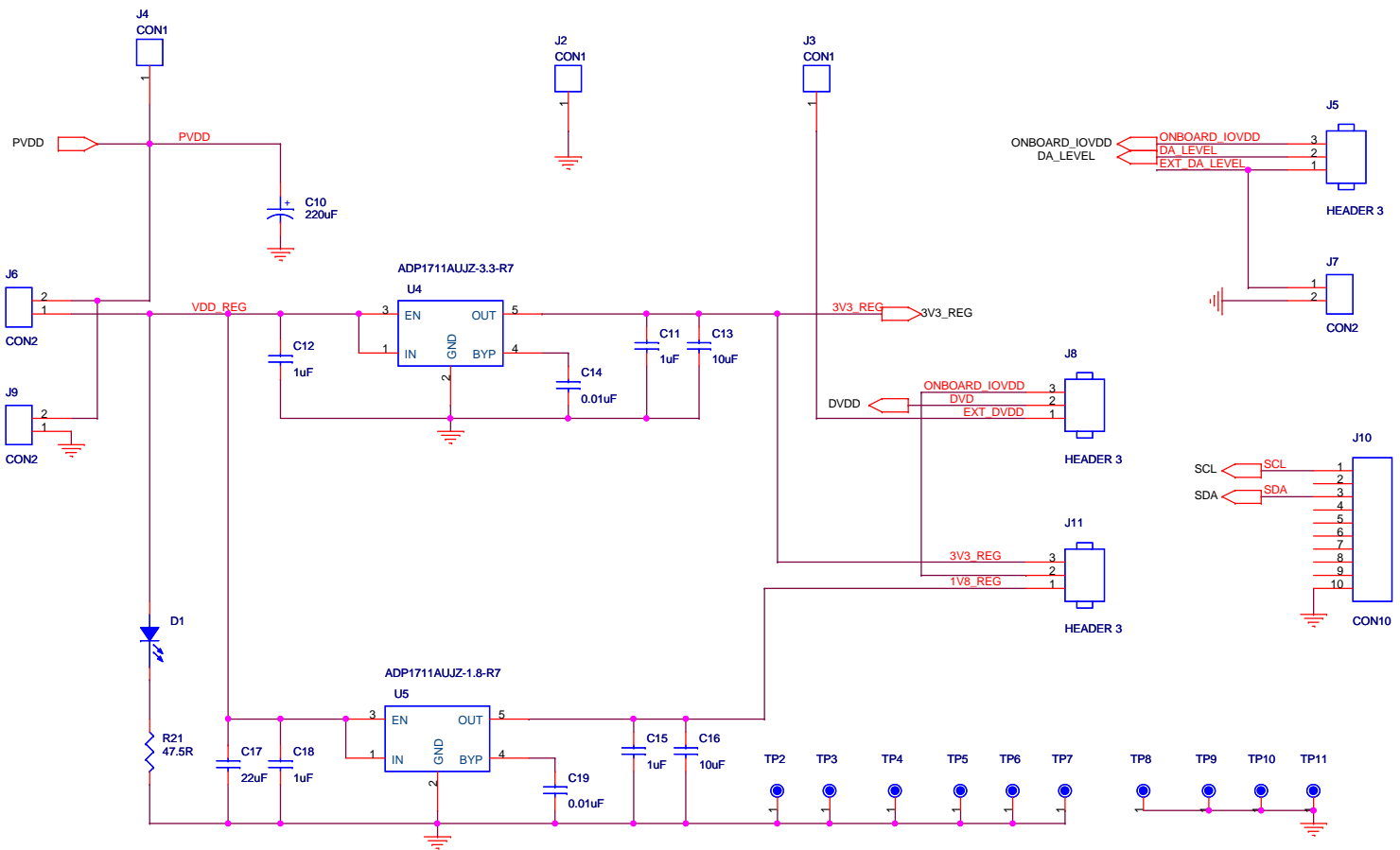
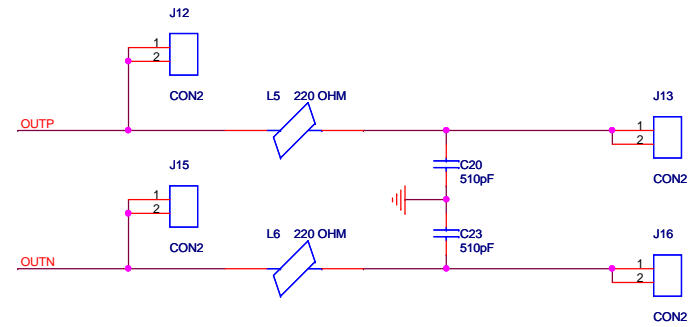
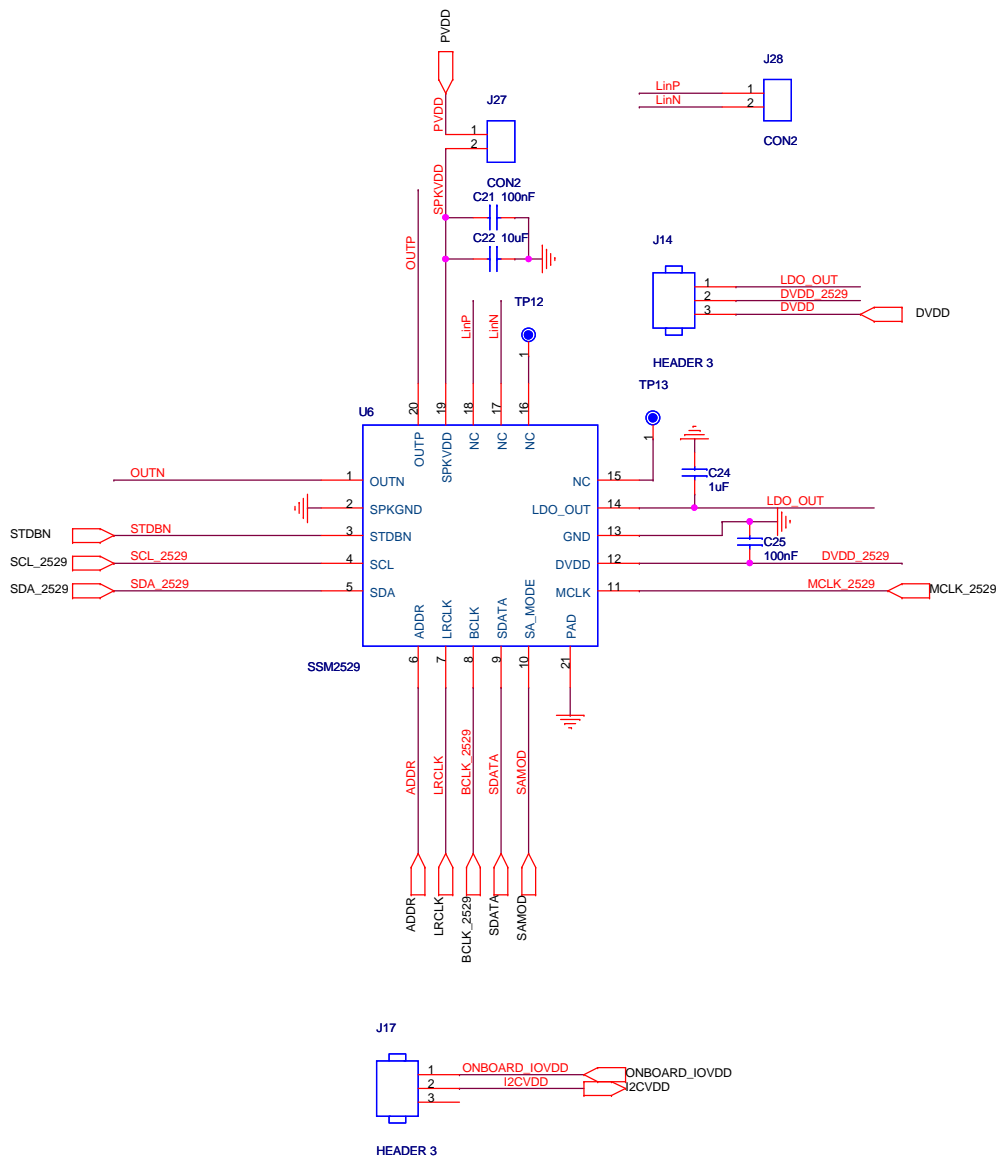
 ANALOG DEVICES		Title	
		SSM2529 Eval Board	
Size	Document Number	Rev	
B	Block Diagram	A	
Date:		Thursday, June 10, 2010	Sheet 1 of 5



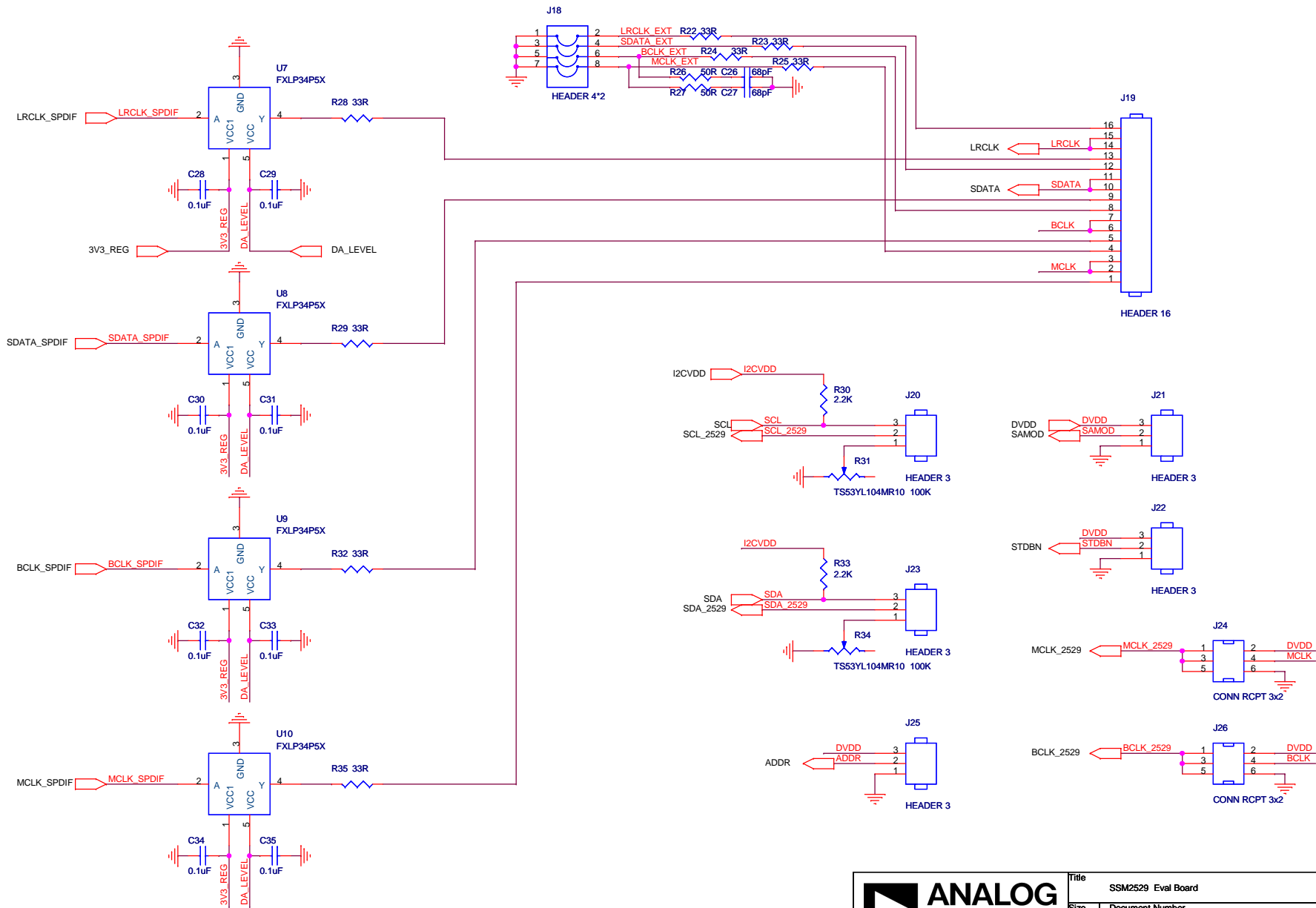
		Title	
		SSM2529 Eval Board	
Size	Document Number	Rev	
B	Optical	A	
Date:		Thursday, June 10, 2010	Sheet
		2	of 5



Title		SSM2529 Eval Board	
Size	Document Number	Rev	
B	Power	A	
Date:	Thursday, June 10, 2010	Sheet	3 of 5



		Title: SSM2529 Eval Board	
Size B	Document Number SSM2529	Rev A	
Date: Thursday, June 10, 2010	Sheet 4 of 5		



Title		SSM2529 Eval Board	
Size	Document Number	Rev	
B	Switch	A	
Date:	Thursday, June 10, 2010	Sheet	5 of 5