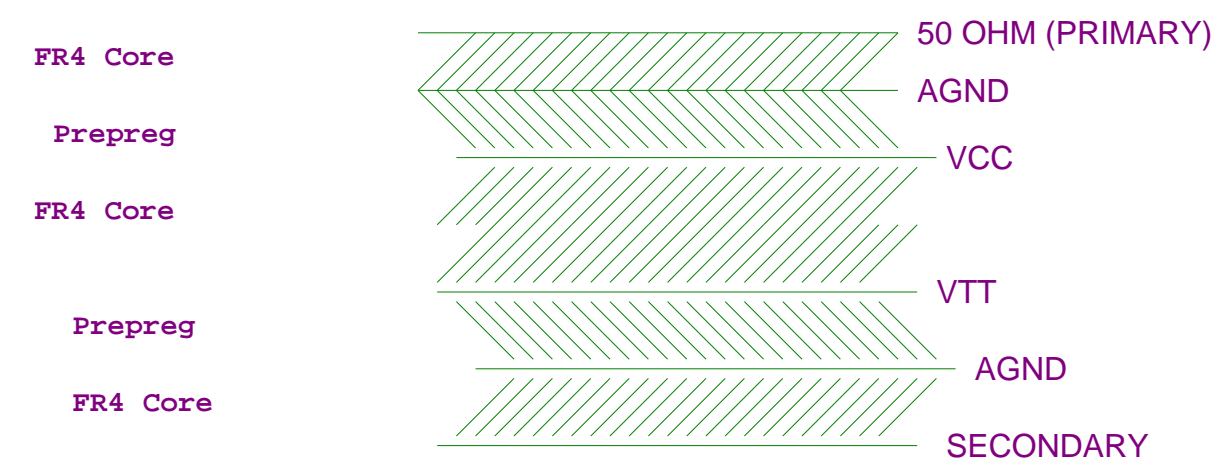
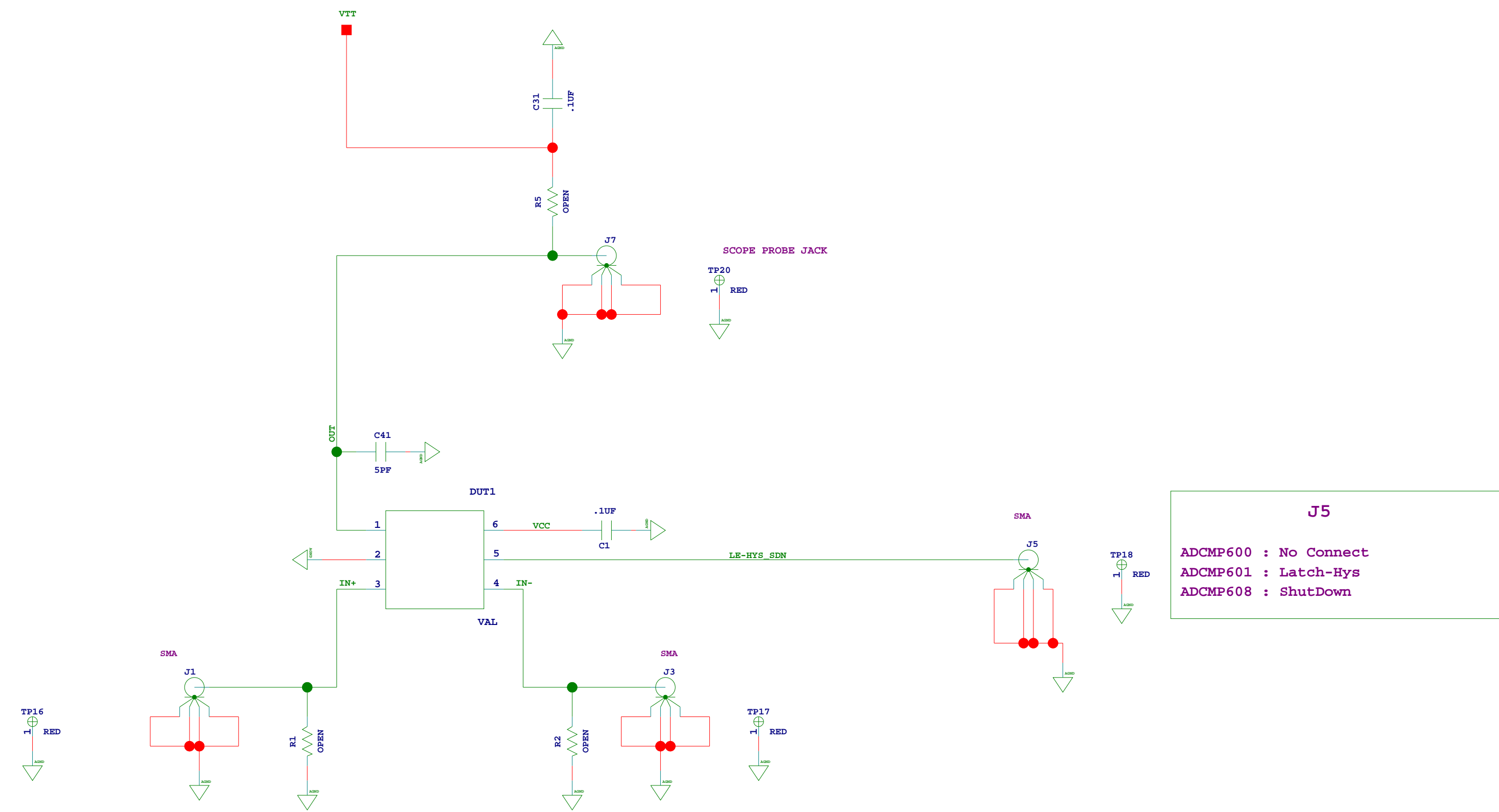


Total Board Thickness: 93 mils

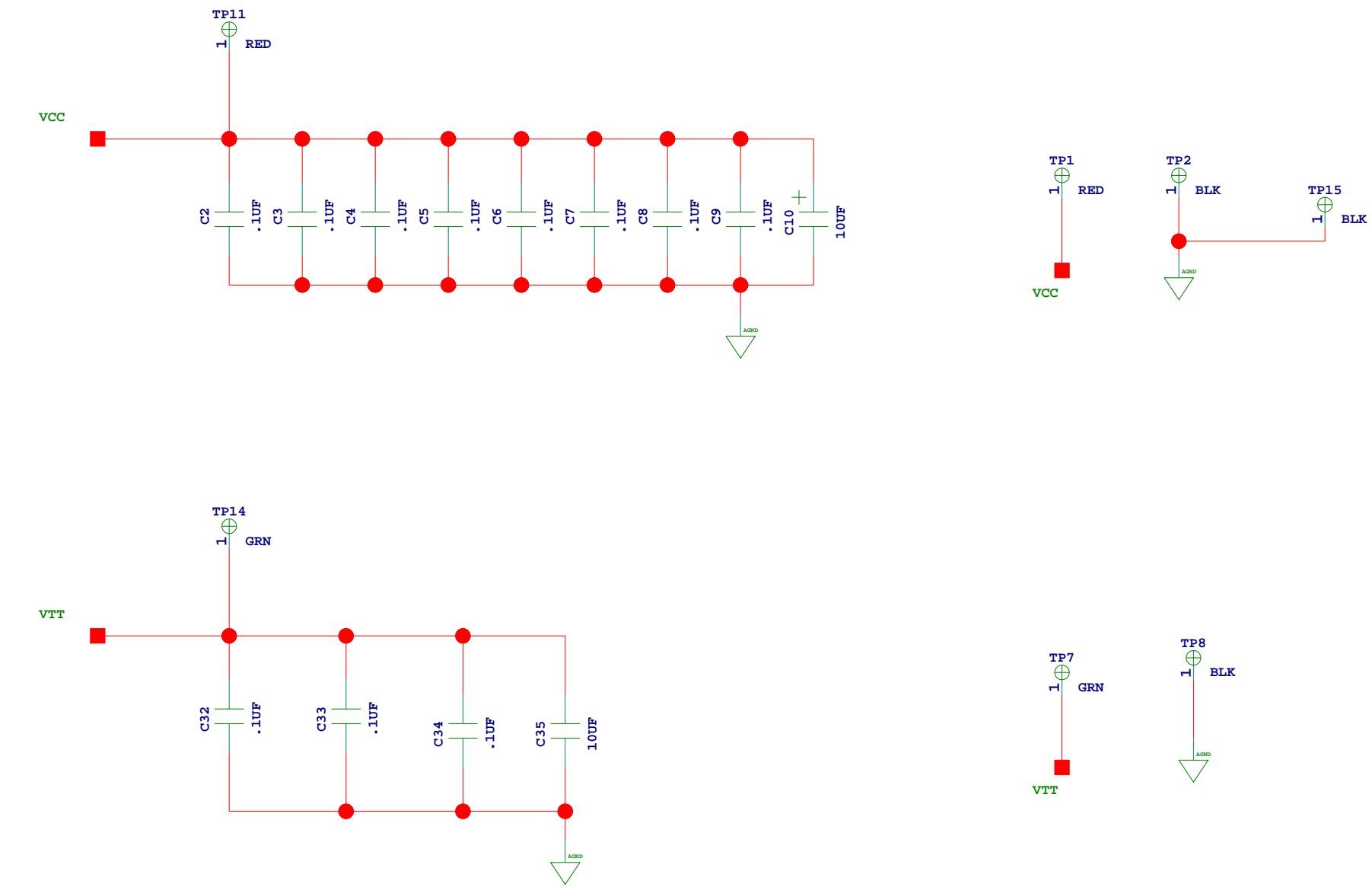


SC70-5/6: ADCMP600 (FastTTL), ADCMP601 (FastTTL), ADCMP608 (LPTTL)

REVISIONS			
REV	DESCRIPTION	DATE	APPROVED
A	INITIAL RELEASE	XX/XX	NAME



J5
 ADCMP600 : No Connect
 ADCMP601 : Latch-Hys
 ADCMP608 : ShutDown



PART NO	DESCRIPTION	REF DES	NOTES															
HIGHEST REF DES USED	UNLESS OTHERWISE SPECIFIED DIMENSIONS ARE IN INCHES																	
REF DES NOT USED																		
<table border="1"> <tr> <th>APPROVAL</th> <th>DATE</th> <th>TITLE</th> </tr> <tr> <td>APPROVED BY: SEYAN STEVANSKI</td> <td></td> <td>SCHEMATIC</td> </tr> <tr> <td>DRAWN BY: SEYAN STEVANSKI</td> <td></td> <td></td> </tr> <tr> <td>CHECKED BY:</td> <td></td> <td></td> </tr> <tr> <td>DATE RELEASED:</td> <td></td> <td></td> </tr> </table>		APPROVAL	DATE	TITLE	APPROVED BY: SEYAN STEVANSKI		SCHEMATIC	DRAWN BY: SEYAN STEVANSKI			CHECKED BY:			DATE RELEASED:			<p>804 HOUSON ST WILMINGTON, MA 01897</p>	
APPROVAL	DATE	TITLE																
APPROVED BY: SEYAN STEVANSKI		SCHEMATIC																
DRAWN BY: SEYAN STEVANSKI																		
CHECKED BY:																		
DATE RELEASED:																		
		<p>ADCMP600,601,608 EVALUATION BOARD</p>																
FINISH	SIZE	PSCM NO	DRAWING NUMBER															
	D		02-010216															
DO NOT SCALE	SCALE	NONE	SHEET 1 OF 1															