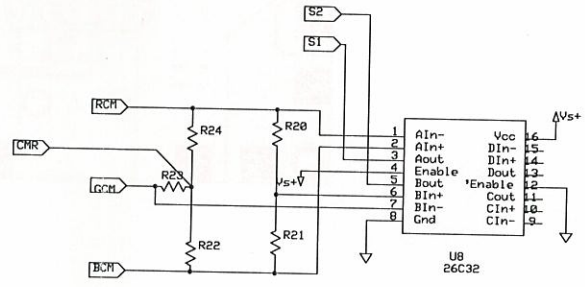
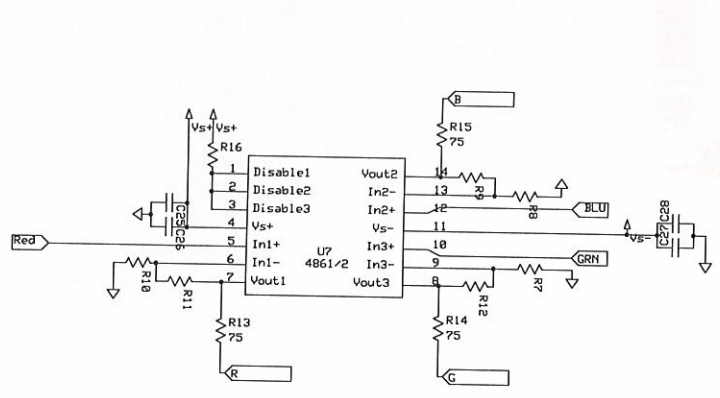


Vpk - Red Connector
 Vdc - Black Connector
 Vos - White Connector



AD8128 Eval Board Populate List

Part	Value
R1-R6	50 Ω
C1, C2, C5, C7, C8, C11, C29, C30, C35-C40, C46	.01uF
C3, C4, C6, C9, C10, C12	1.0uF
R20, R21	1.0K Ω
R13, R14, R15	75 Ω
R18, R19	50 Ω
R7, R8, R10	0 Ω
C44, C45	10uF Tant
U1, U2, U3	AD8128
U7	AD4862-3
U8	Comparator

Packages:

All resistors and capacitors except C44 and C45 are 0603 packages. C44 and C45 are both size C tantalum capacitors.

The AD4862-3 is a 14 pin SOIC and the comparator is a 16 pin SOIC.

Note:

Decoupling caps on the back of the board for the AD4862-3 are required. A 1.0uF and 0.01uF ceramic capacitor will work.

Common mode return oath available by populating the three resistors highlighted on the following page.

Jumpers need to be closed to bridge vpk on all different equalizers together to one common supply voltage.