

4

3

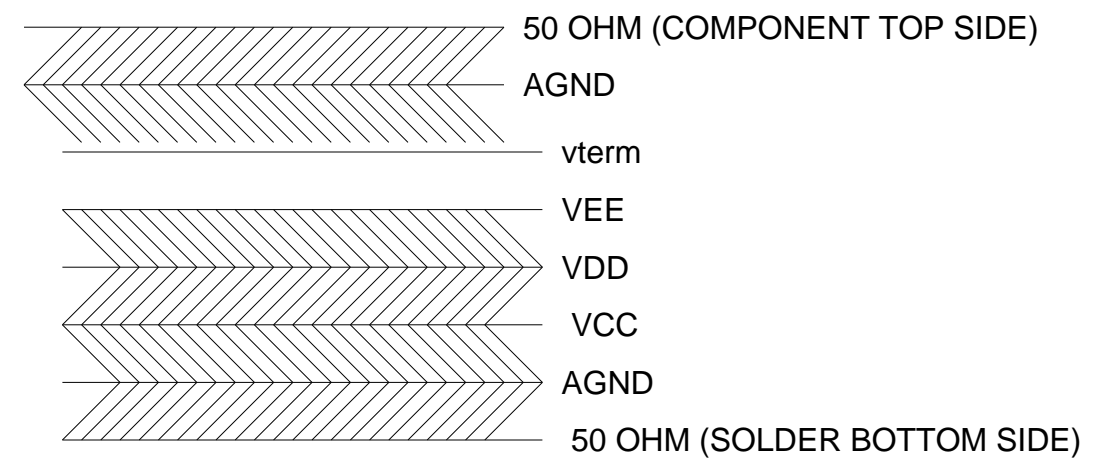
2

1

REVISIONS			
REV	DESCRIPTION	DATE	APPROVED
-	INITIAL RELEASE	-	-

RO3003 5mil core

RO3003 5Mil CORE



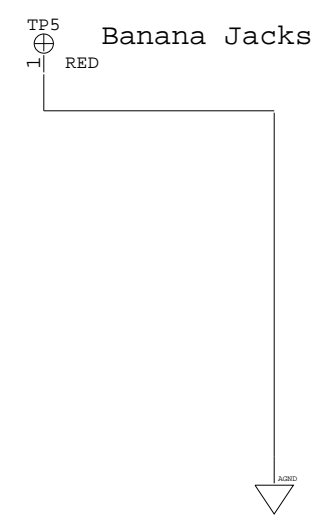
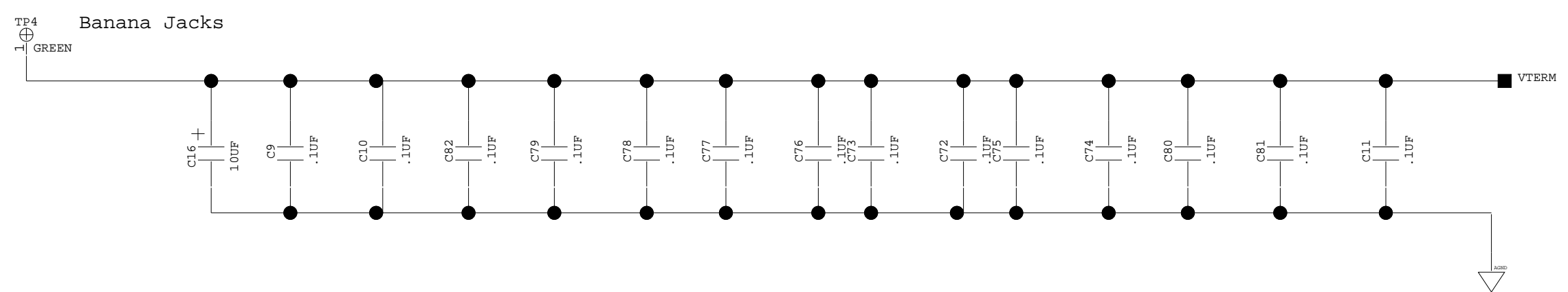
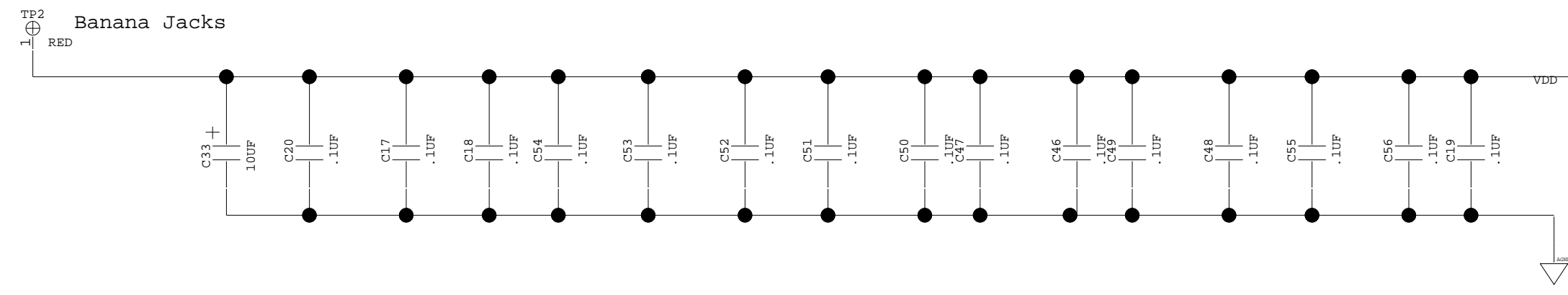
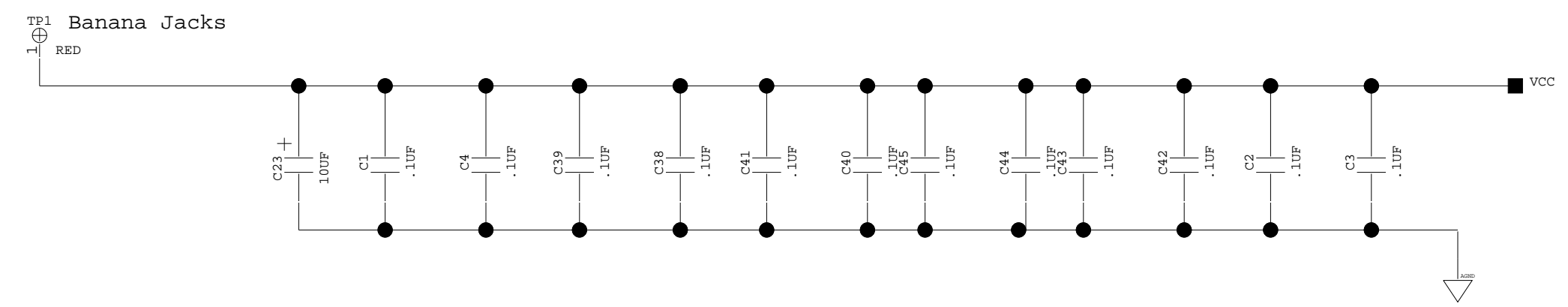
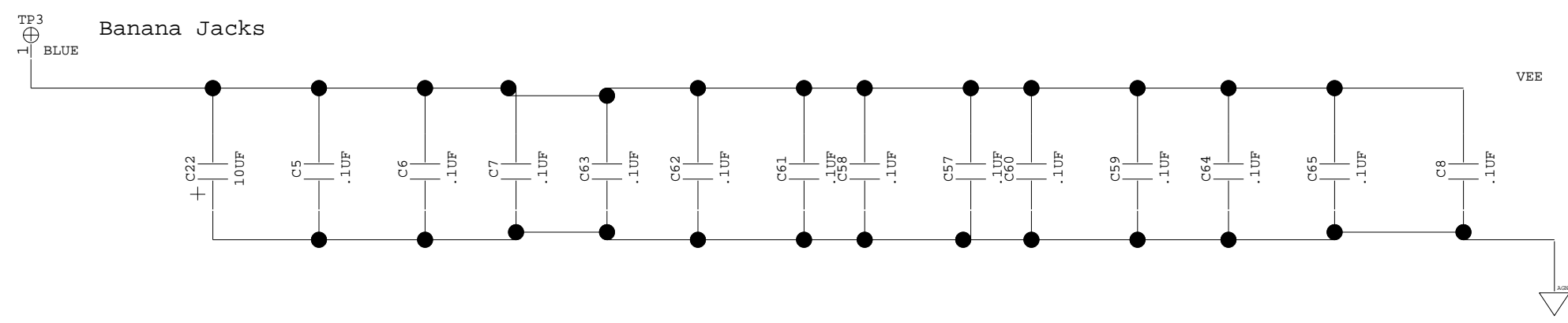
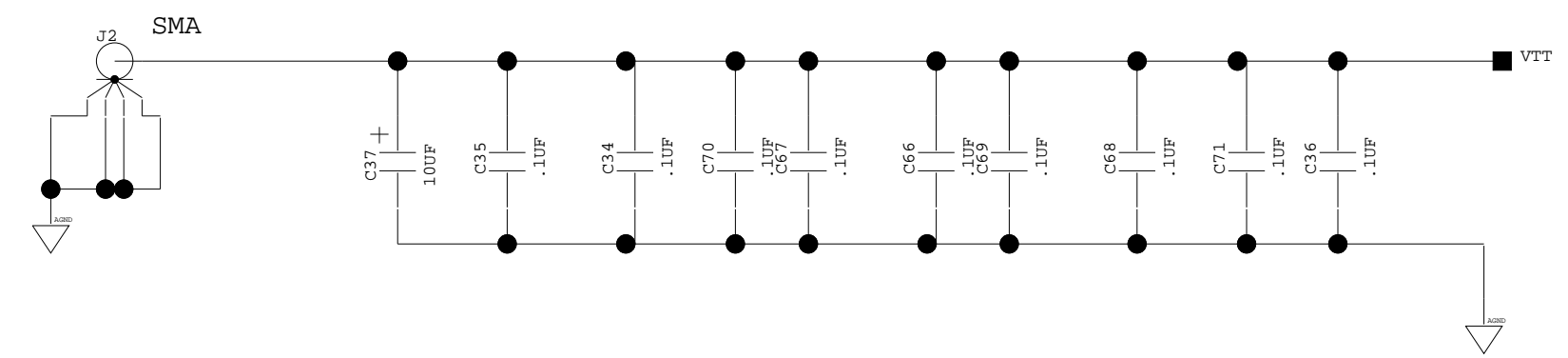
PART NO	DESCRIPTION	REF DES	NOTES
HIGHEST REF DES USED	UNLESS OTHERWISE SPECIFIED DIMENSIONS ARE IN INCHES	SCHEMATIC	 804 WOBURN ST WILMINGTON, MA 01887
REF DES NOT USED	DECIMALS TOLERANCES ANGLES .XX ±.005 ±.010 ±.2		
	MATERIAL	DRAWN BY: S. FOSS DATE: 05/03 CHECKED BY: APPROVED BY:	TITLE ADCMP566/67 MLF EVAL BD
	FINISH	APPROVED BY: MFG ENCLOSED:	SIZE: C FSCM NO: DRAWING NUMBER: 009341-A REV: A
	DO NOT SCALE		SCALE: NONE SHEET OF 1 3

4

3

2

1



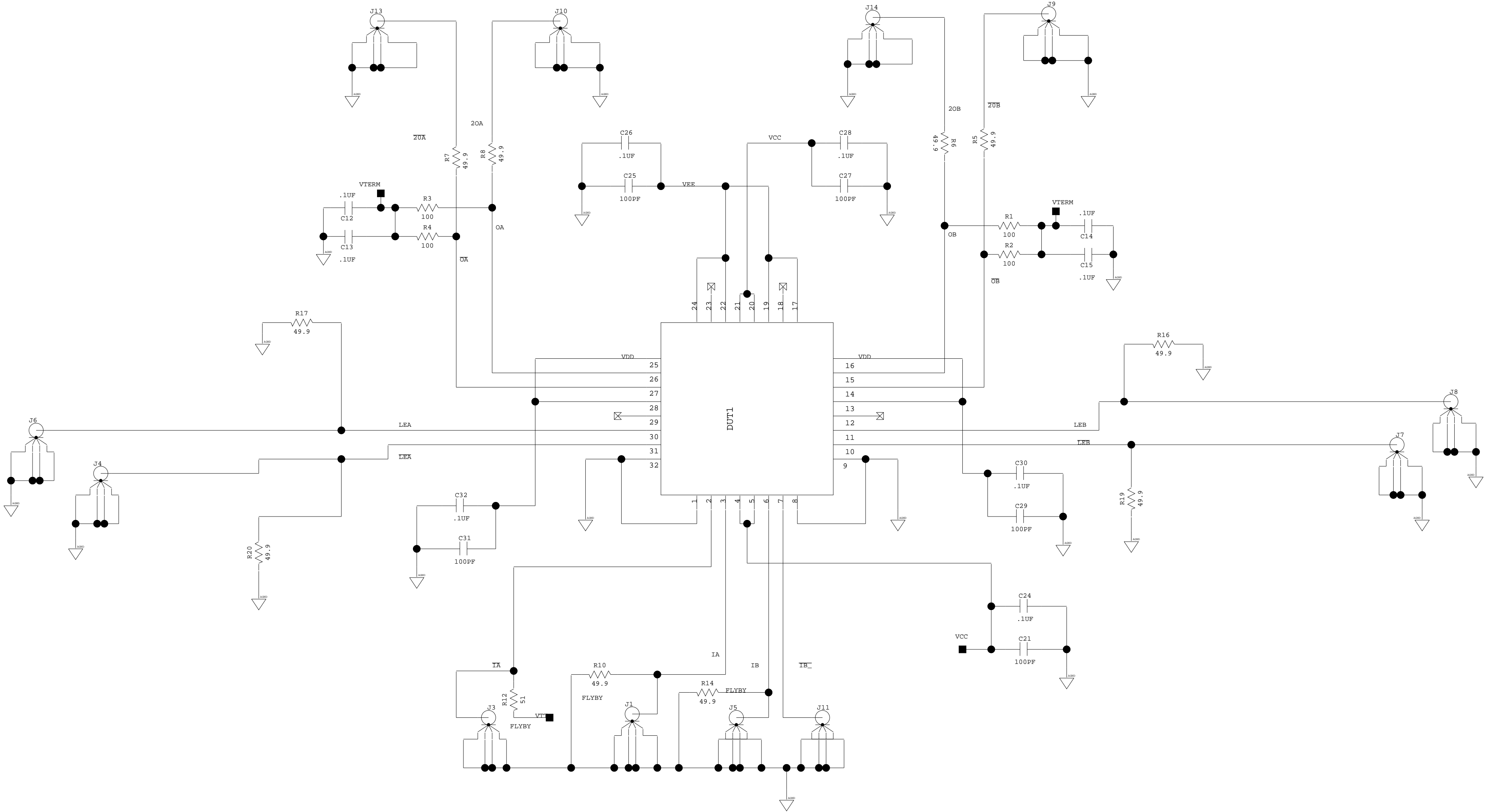
4

3

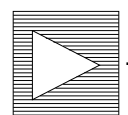
2

1

	804 WOBURN STREET WILMINGTON, MA 01887	SIZE C	FSCM NO	DRAWING NUMBER 009341-A	REV A
	DRAWN BY: S. FOSS APPROVED BY:	SCALE NONE	DO NOT SCALE	SHEET OF 2	3



VTT = IA-Term on the Eval Board
 VTERM = Comp_out_vterm on the Eval Board

 ANALOG DEVICES <small>804 WOBURN STREET WILMINGTON, MA 01887</small>	SIZE	FSCM NO	DRAWING NUMBER	REV
	C		009341-A	A
<small>DRAWN BY:</small> S. FOSS	<small>APPROVED BY:</small>	SCALE	NONE	DO NOT SCALE
			SHEET OF 3	3

