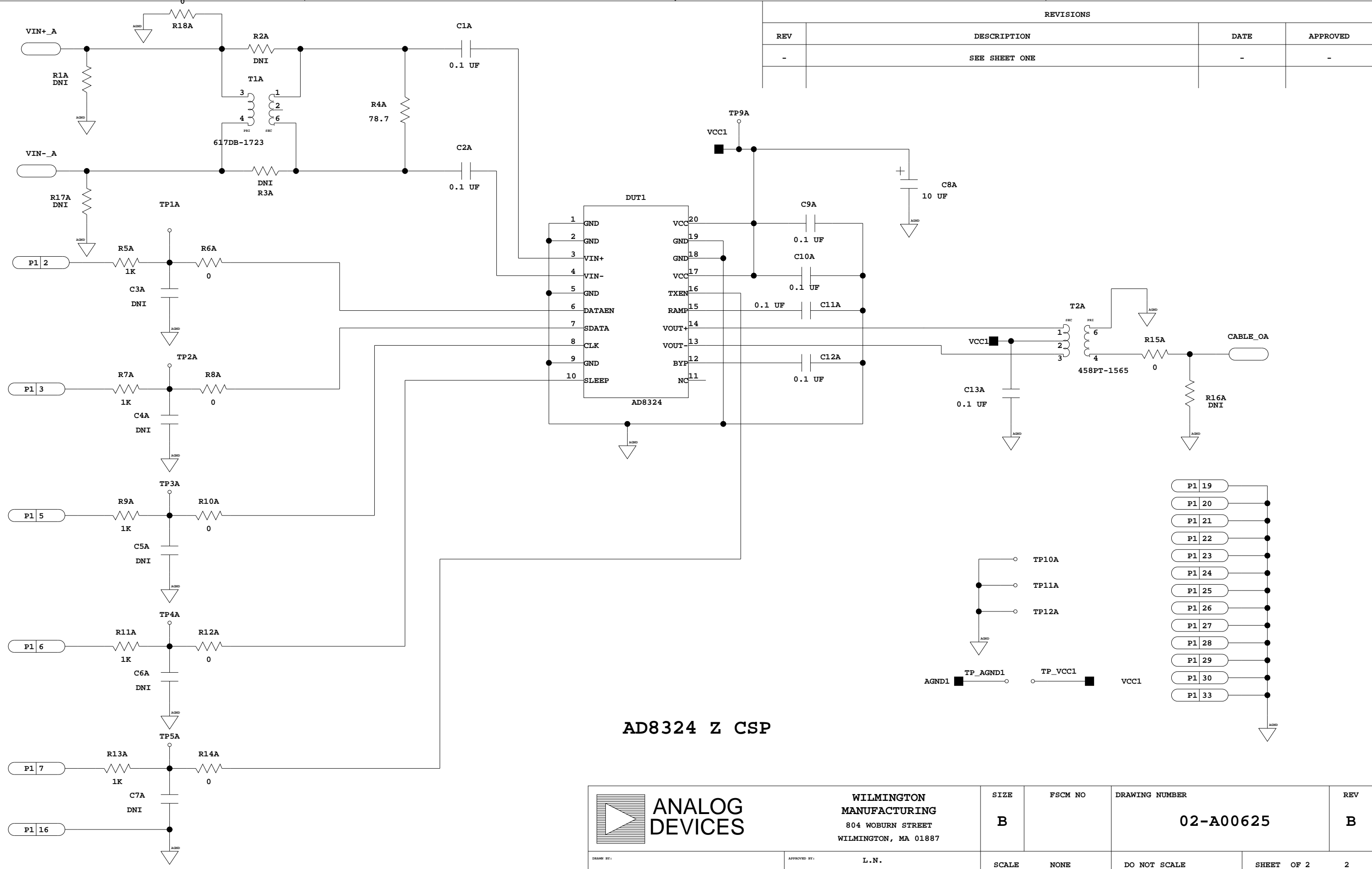




4 3 2 1

REVISIONS			
REV	DESCRIPTION	DATE	APPROVED
-	SEE SHEET ONE	-	-



AD8324 Z CSP

	<b>WILMINGTON MANUFACTURING</b> 804 WOBURN STREET WILMINGTON, MA 01887	SIZE	FSCM NO	DRAWING NUMBER	REV
		B		02-A00625	B
DRAWN BY:	APPROVED BY: L.N.	SCALE	NONE	DO NOT SCALE	SHEET OF 2
					2



4 3 2 1