

4

3

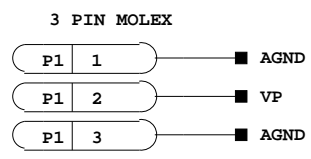
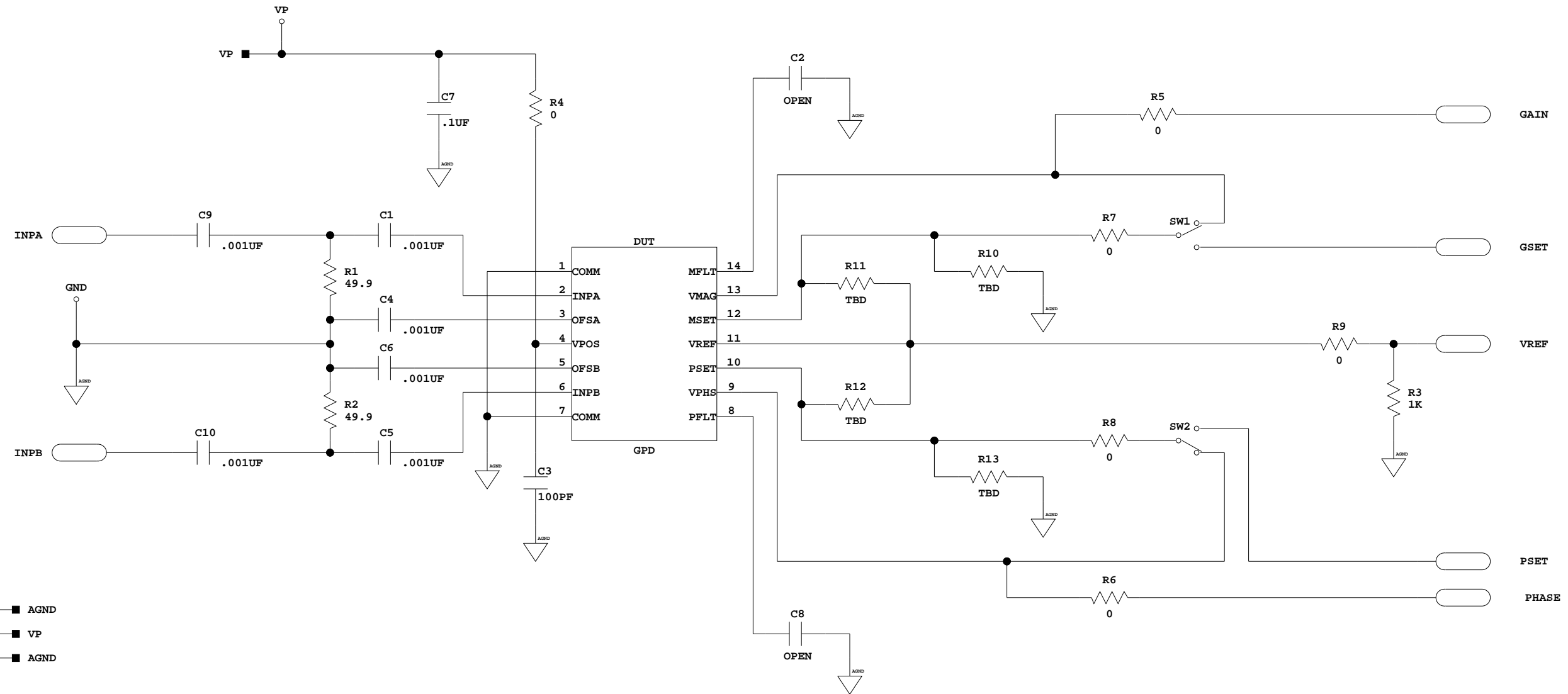
2

1

REVISIONS

REV	DESCRIPTION	DATE	APPROVED
-	SEE SHEET ONE	-	-

8302 EVAL BOARD



	WILMINGTON MANUFACTURING 804 WOBURN STREET WILMINGTON, MA 01887	SIZE	FSCM NO	DRAWING NUMBER	REV
		B		02-A00158	E
DRAWN BY: R. S.	APPROVED BY:	SCALE	NONE	DO NOT SCALE	SHEET OF 2
					2

4

3

2

1