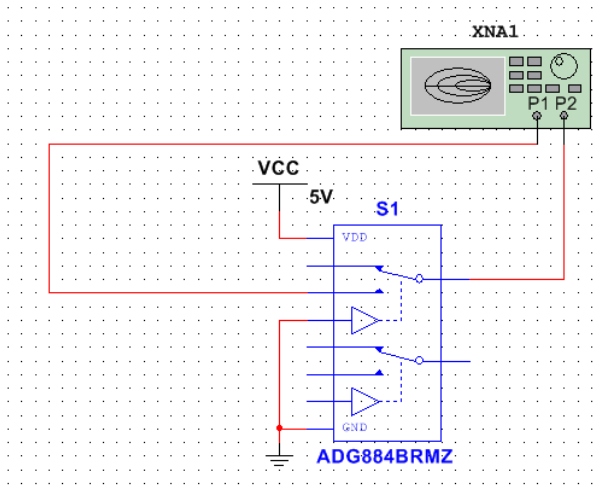
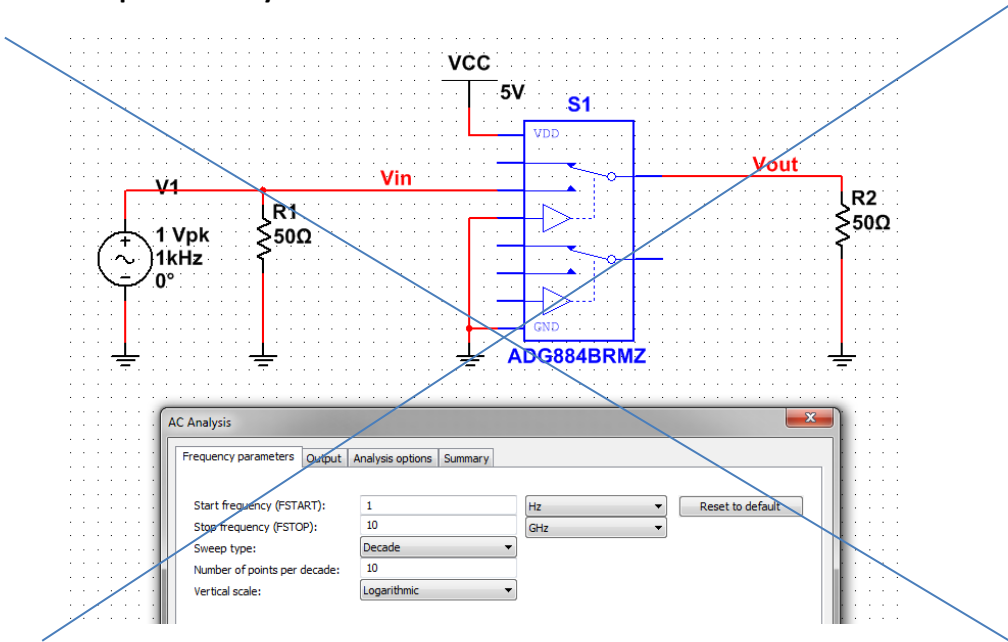


Circuit for bandwidth simulation



XNA1 = Agilent Networkanalyzer

Not possible way to simulate bandwidth



Bandwidth simulation with ADG844. SPICE Simulation of s-Parameter, $s_{21} = V_{out}/V_{in}$

