

4

3

2

1

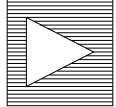
8 Layer Stackup

50 OHM TRACES + COMPONENTS	Layer 1
AGND (Ground Plane)	Layer 2
VPOS (Power Plane)	Layer 3
DVCC (Power Plane)	Layer 4
DGND (Ground Plane)	Layer 5
VNEG (Power Plane)	Layer 6
AGND (Ground Plane)	Layer 7
50 OHM TRACES + COMPONENTS	Layer 8

REVISIONS

REV	DESCRIPTION	DATE	APPROVED
A	ORIGINATION		

Analog Devices Proprietary Information

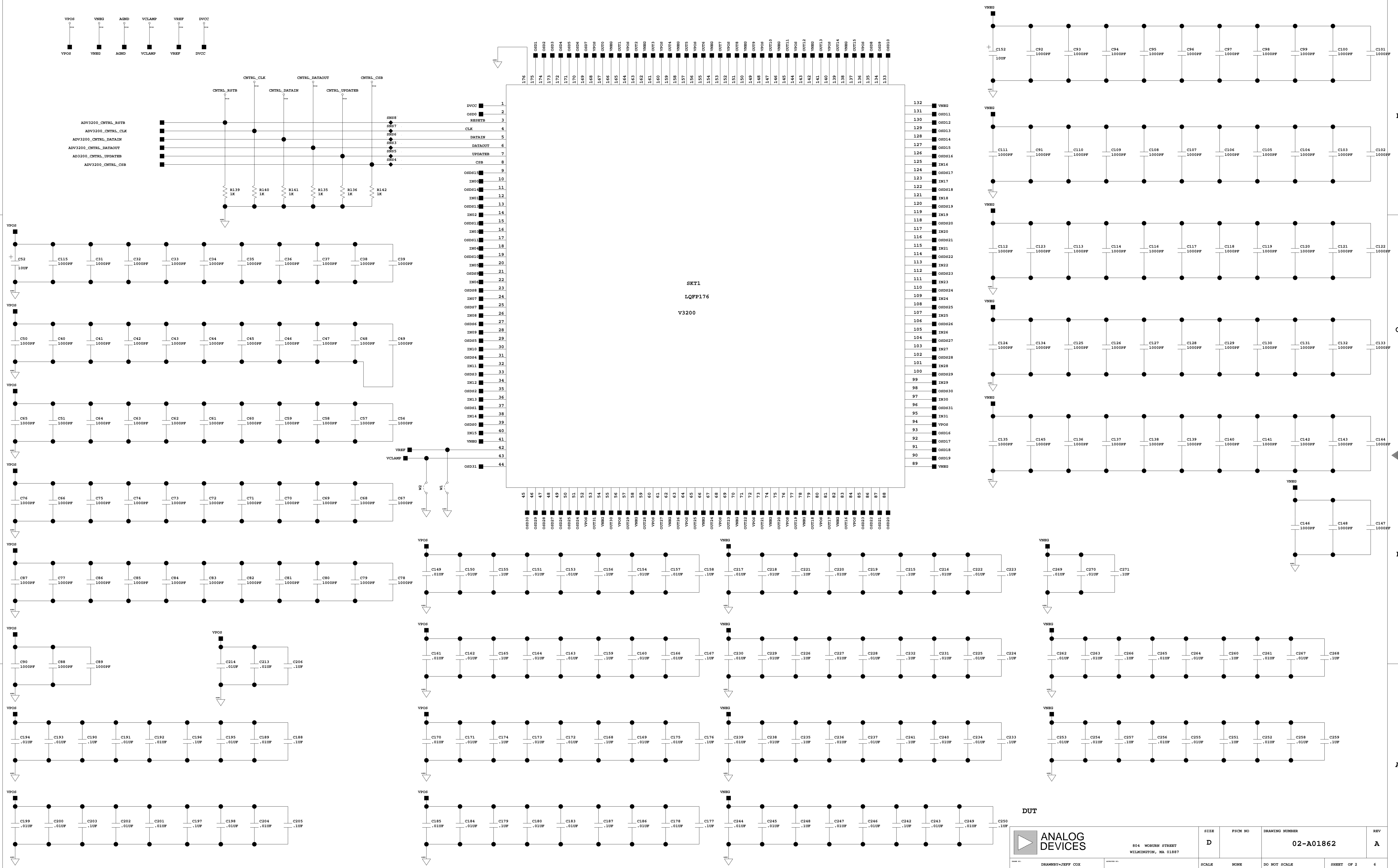
09-000000A	PCB - AD8175 CHARACTERIZATION	0001	NONE
PART NO	DESCRIPTION	REF DES	NOTES
HIGHEST REF DES USED	<small>UNLESS OTHERWISE SPECIFIED DIMENSIONS ARE IN INCHES</small> <small>TOLERANCES</small> DECIMALS: .XX \pm .010 FRACTIONS: \pm 1/32 ANGLES: \pm 2 <small>FINISH</small>	SCHEMATIC <small>APPROVAL</small> RS <small>DATE</small> 08/07 <small>DESIGNED BY:</small> <small>CHECKED:</small> <small>APPROVED BY:</small> <small>WFO ENGINEER:</small>	 ANALOG DEVICES <small>804 WOBURN ST WILMINGTON, MA 01887</small> AD3200 EVALUATION CHARACTERIZATION
REF DES NOT USED			<small>SIZE</small> B <small>FSCM NO</small> <small>DRAWING NUMBER</small> 02-A01862 <small>REV</small> A
DO NOT SCALE		SCALE NONE	SHEET OF 1 6

4

3

2

1

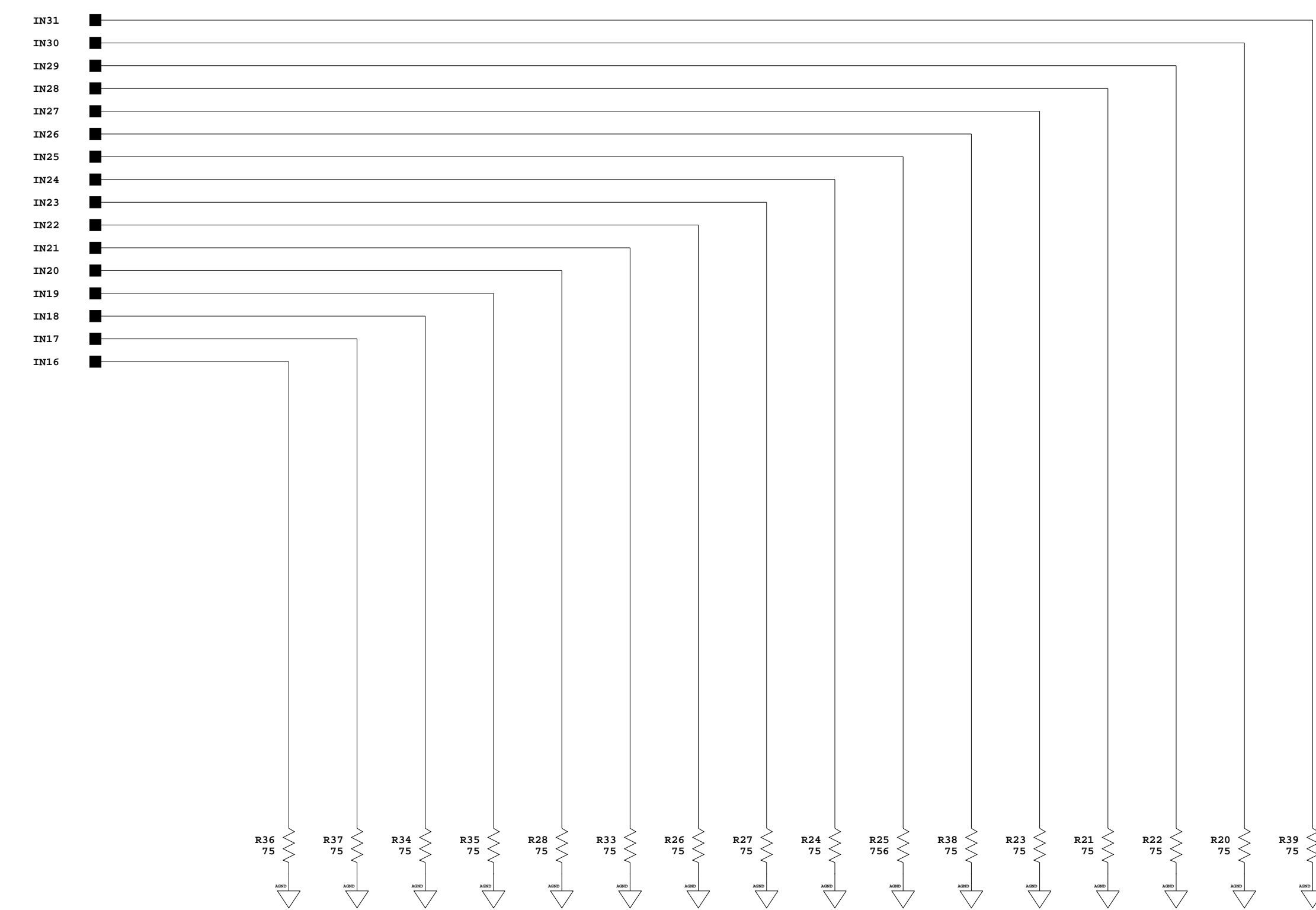
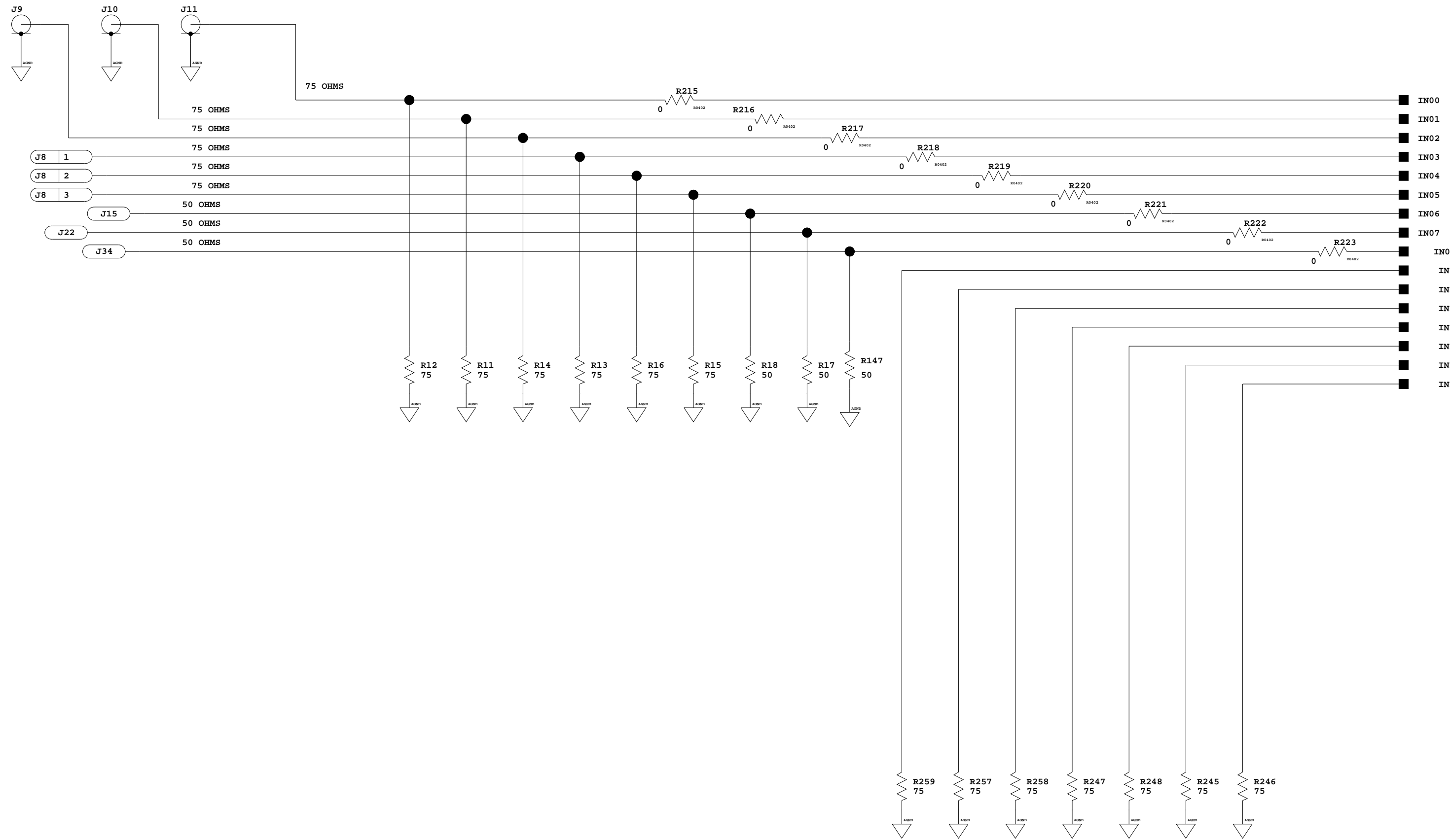
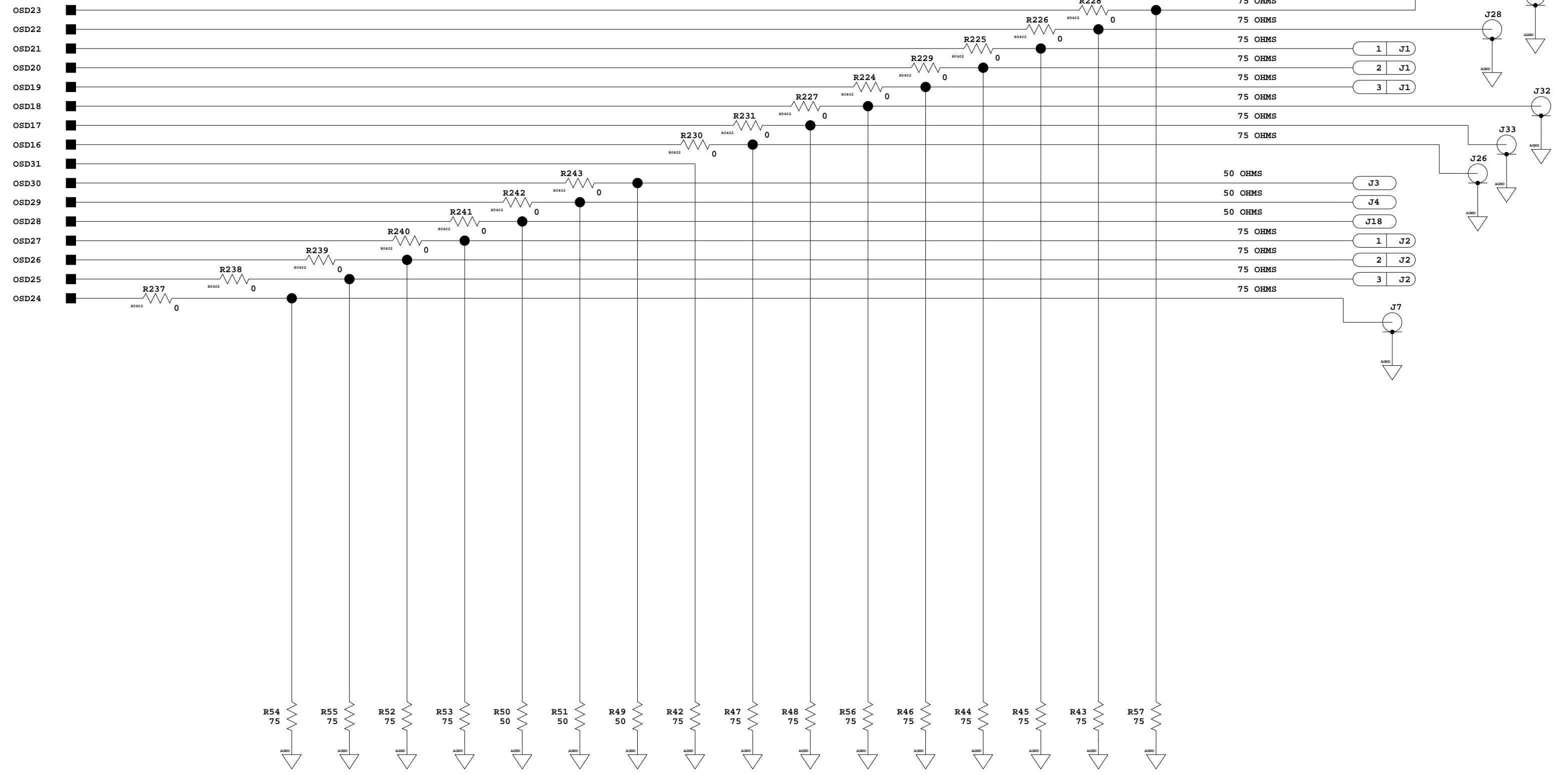
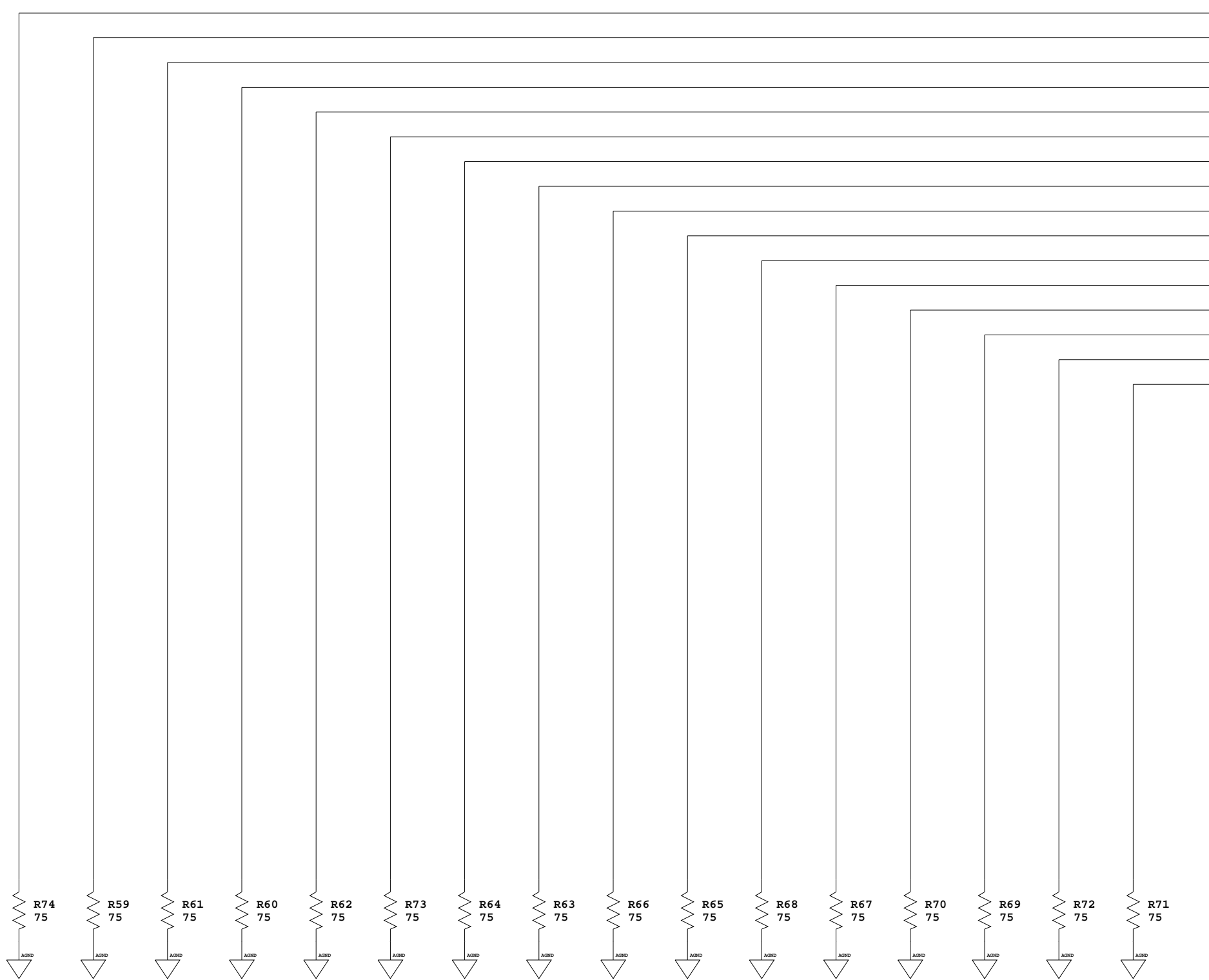


D

C

B

A



DUT INPUTS

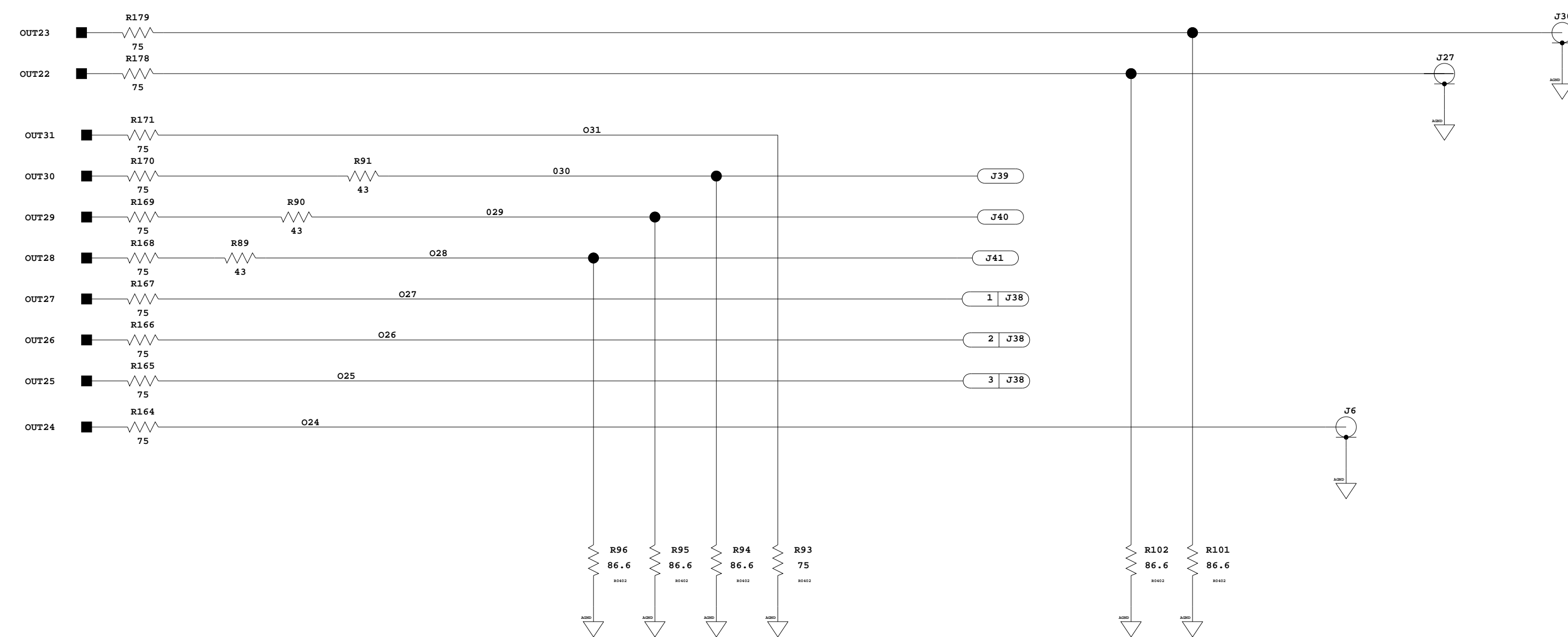
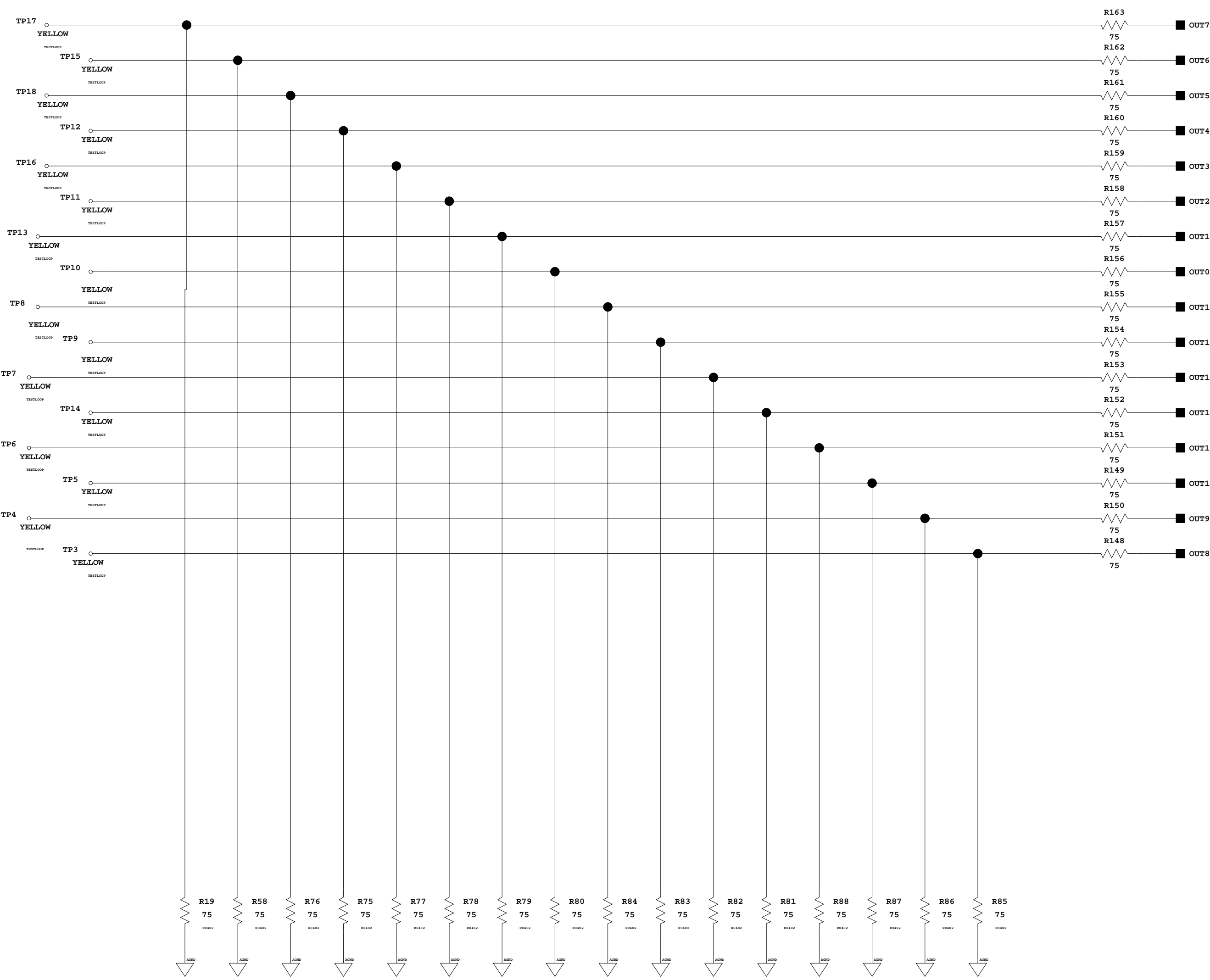
	804 WOBURN STREET WILMINGTON, MA 01887	SIZE	FSCM NO	DRAWING NUMBER	REV
		D		02-A01862	A
DRAWN BY: JEFF COX		SCALE	NONE	DO NOT SCALE	SHEET OF 3

MIN_LINE_WIDTH=8

ALL LINES ARE 75 OHM

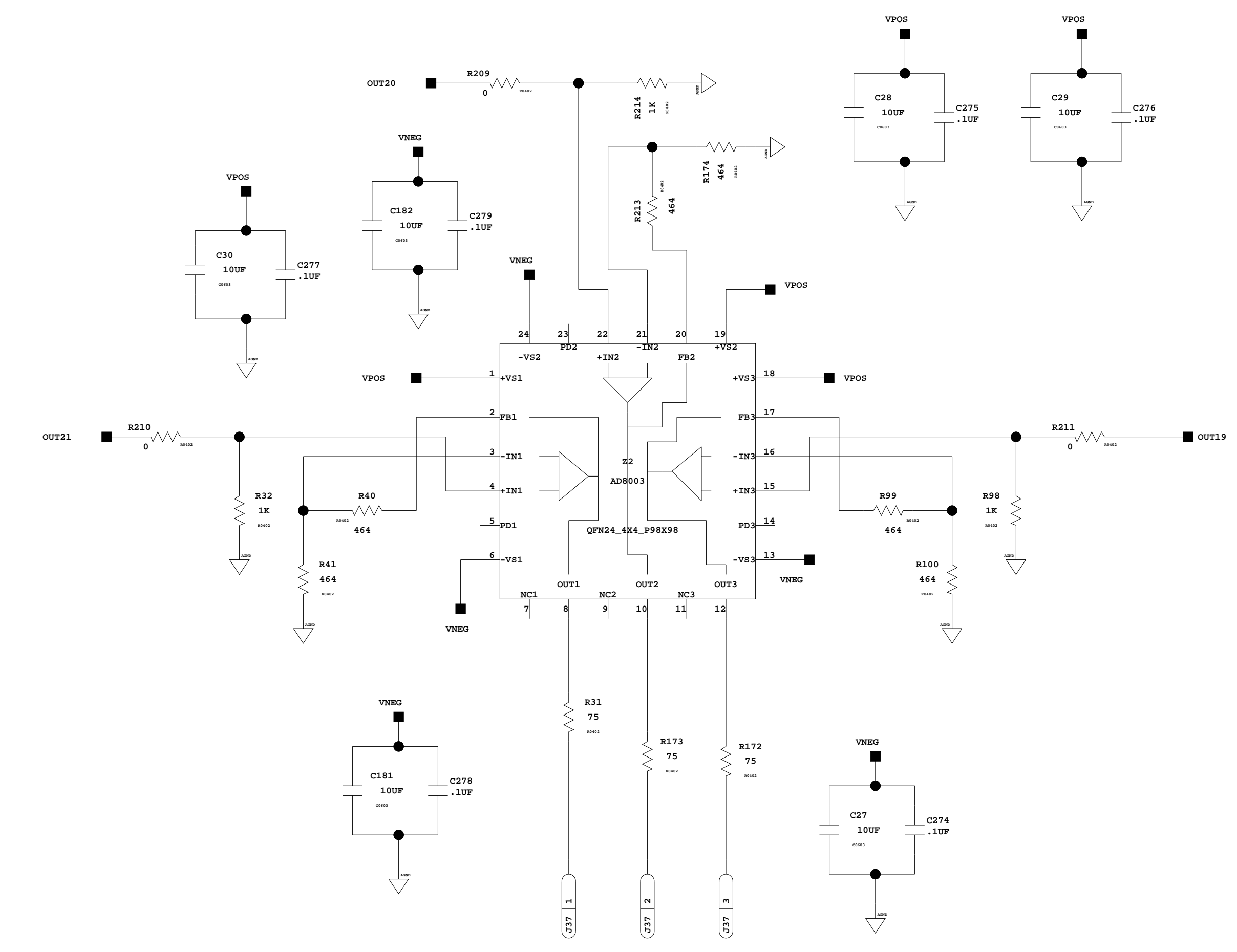
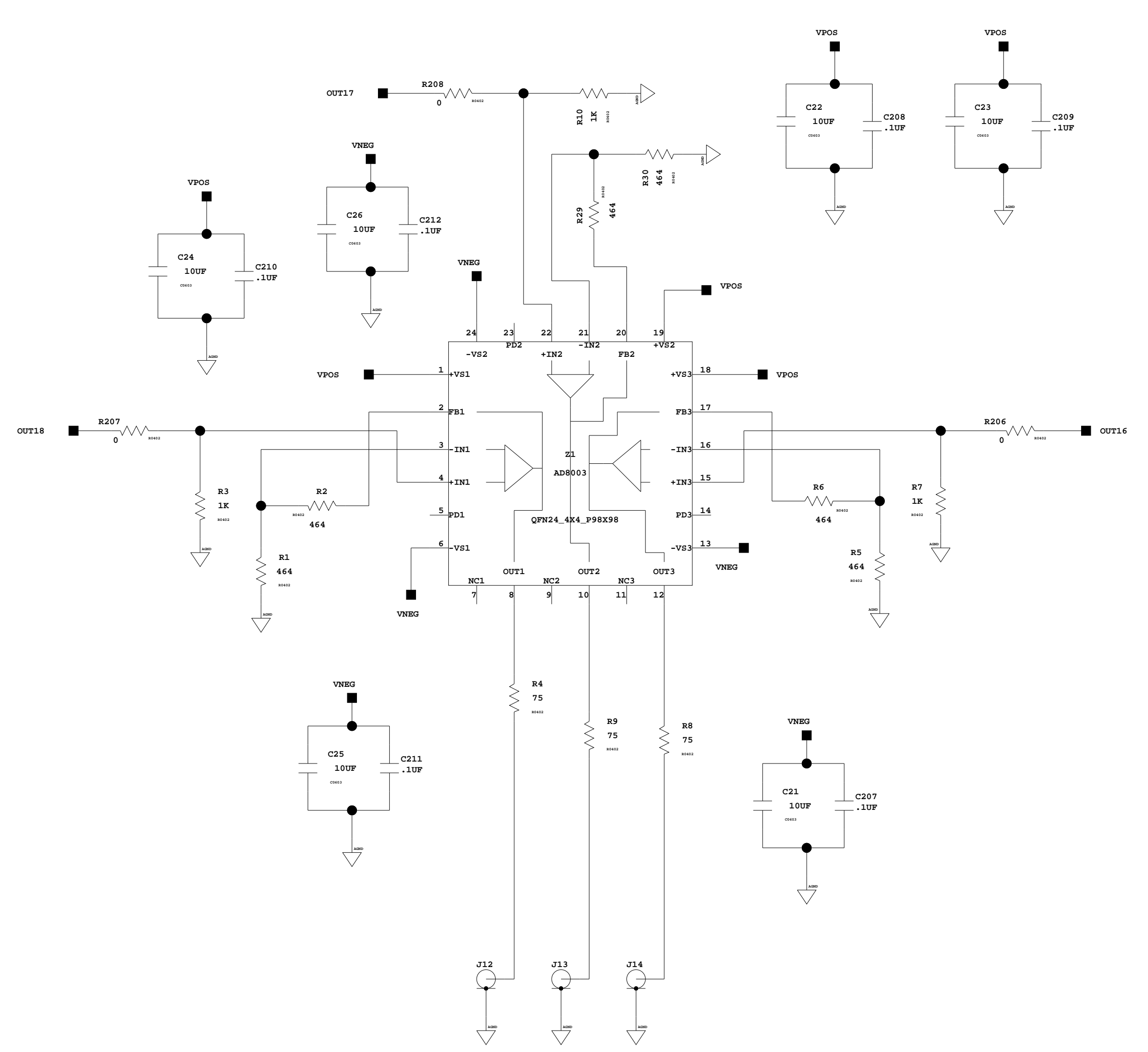
Matching Network as close as possible to DUT

Matching Network as close as possible to DUT



TITLE=DUT OUTPUTS

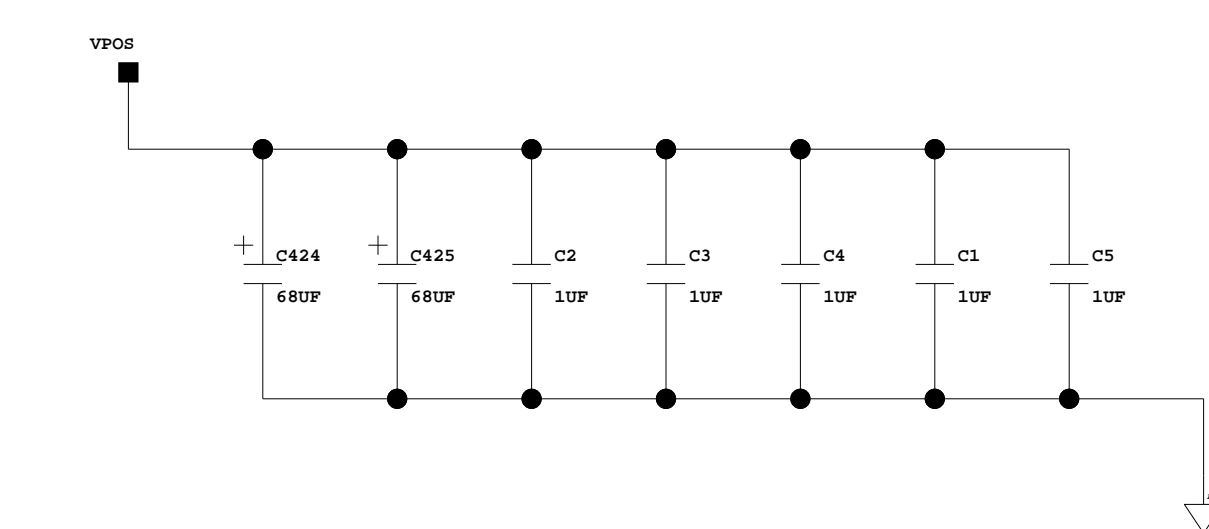
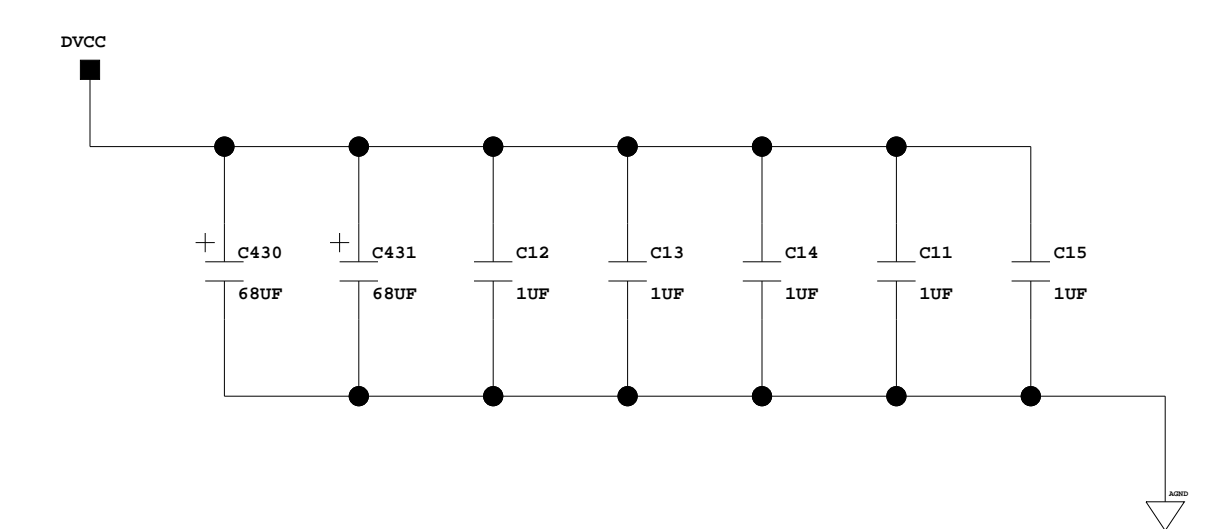
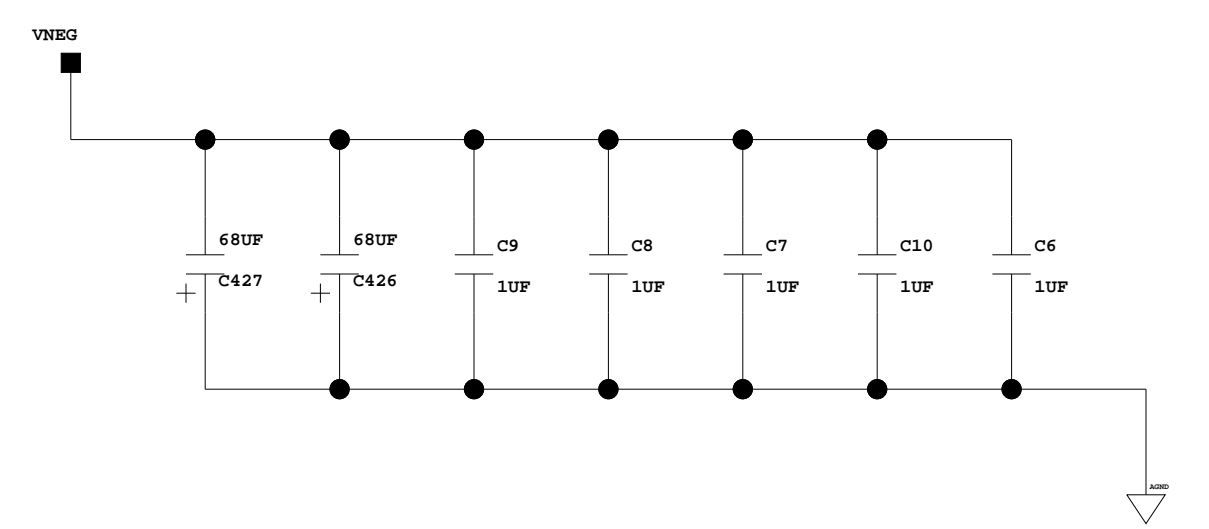
	804 NOBURN STREET WILMINGTON, MA 01897	SIZE D	FROM NO	DRAWING NUMBER 02-A01862	REV A
	SCALE NONE	DO NOT SCALE	SHEET OF 4 6		



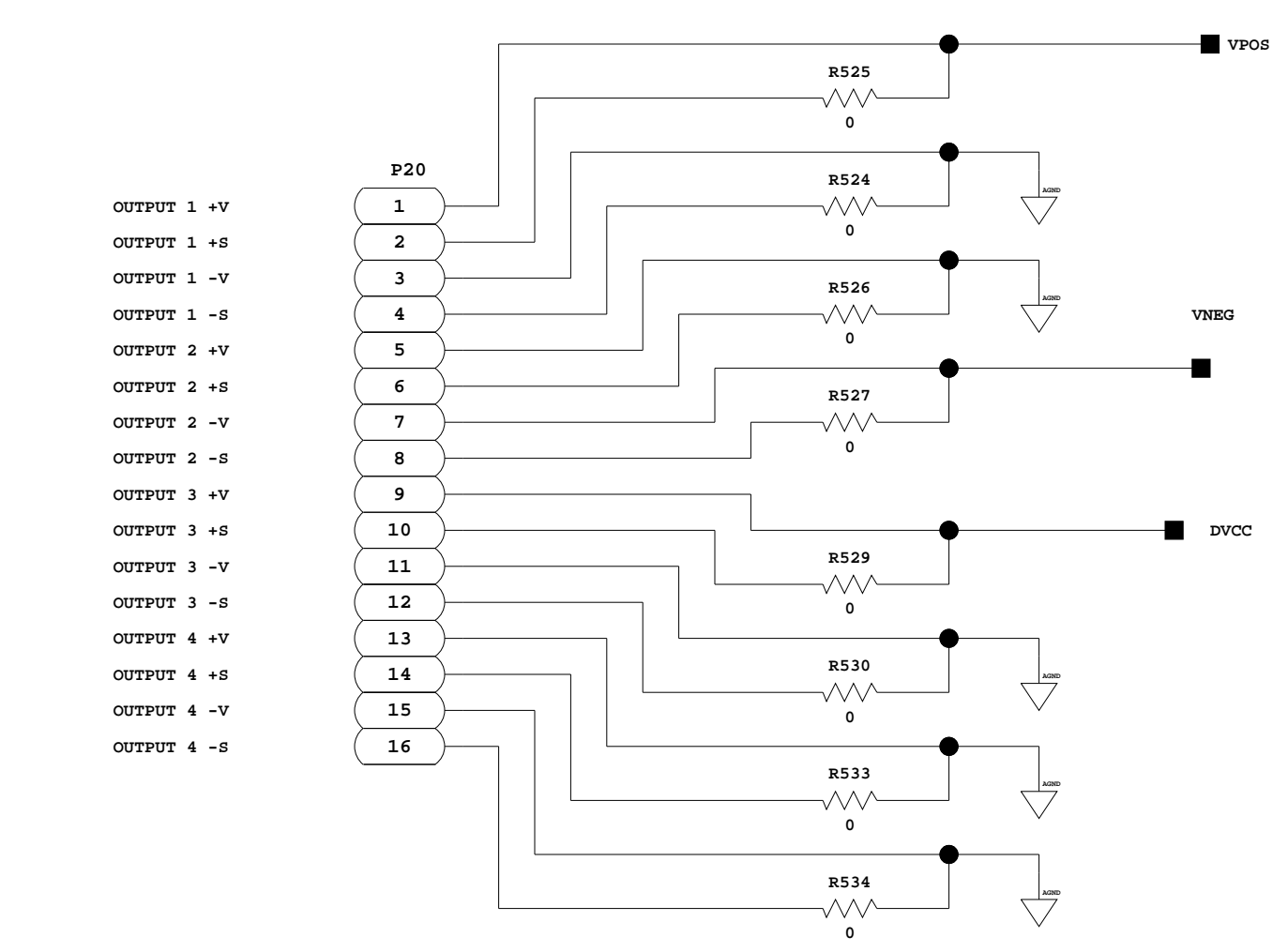
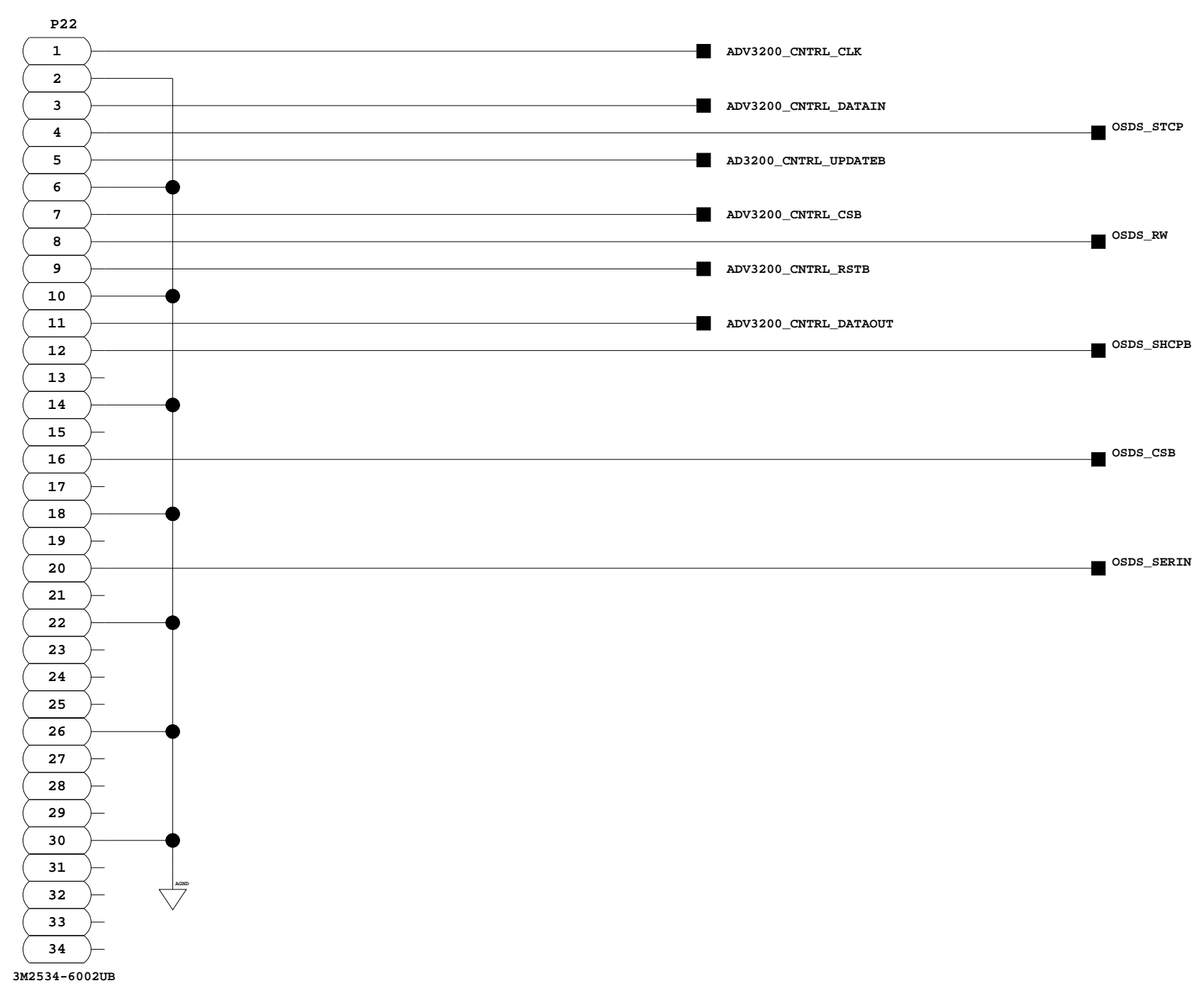
NATIONAL INSTRUMENTS CARD BUFFERING
 Analog Devices Proprietary Information

	804 WOBURN STREET WILMINGTON, MA 01887	SIZE D	FORM NO.	DRAWING NUMBER 02-A01862	REV A
	JEFF COX	SCALE NONE	DO NOT SCALE	SHEET OF 5 6	

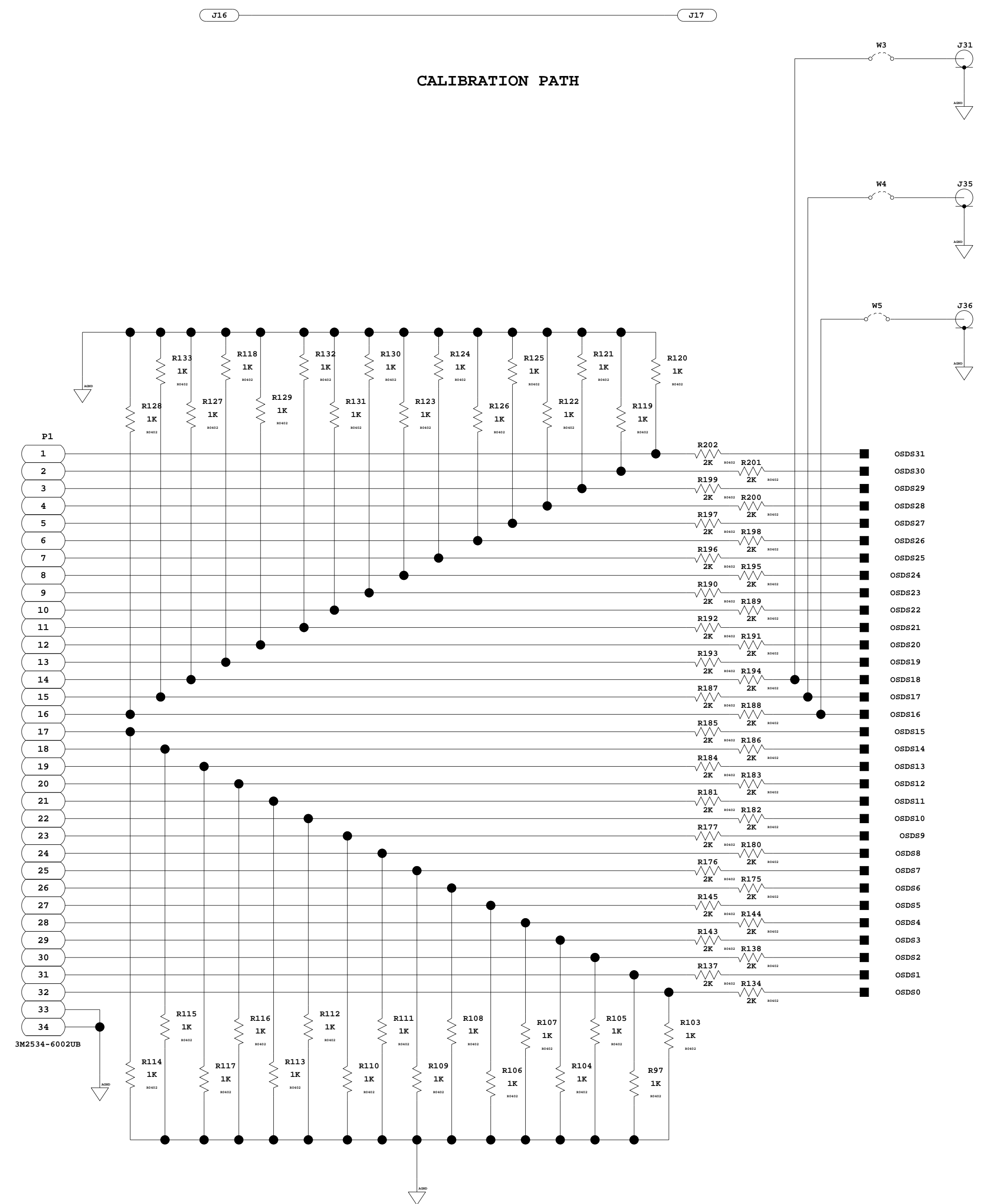
Cal Paths for Network Analyzer Calibration



POWER SUPPLIES



Agilent 6629 Power Supply



CALIBRATION PATH

Analog Devices Proprietary Information

	804 WOBURN STREET WILMINGTON, MA 01897	SIZE D	FROM NO	DRAWING NUMBER 02-A01862	REV A
	JEFF COX	SCALE NONE	DO NOT SCALE	SHEET OF 6	6