

4

3

2

1

CONTROL CHART

CONTROL	CODE	DEVICE	FUNCTION	CONNECTOR

REVISIONS

REV	DESCRIPTION	DATE	APPROVED
A	ORIGINATION		

D

D

C

C

B

B

A

A

CONNECTOR J1	DUT PIN	FUNCTION	CONNECTOR J2	DUT PIN	FUNCTION

DUT PINOUT

HIGHEST REF DES USED
REF DES NOT USED

UNLESS OTHERWISE SPECIFIED
DIMENSIONS ARE IN INCHES

DECIMALS FRACTIONS ANGLES
.XX \pm .010 \pm 1/32 \pm 2

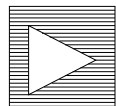
TOLEANCES

FINISH

DO NOT SCALE

SCHEMATIC

APPROVAL	DATE
V.J.G.	05/07
DESIGNED BY:	
CHECKED:	
APPROVED BY:	
MFG ENGINEER:	

 **ANALOG DEVICES**

WILMINGTON MANUFACTURING
804 WOBURN STREET
WILMINGTON, MA 01887

N8102 CHAR BOARD Z

SIZE B	FSCM NO	DRAWING NUMBER 02-A01703	REV A
SCALE NONE		SHEET OF 1 3	

4

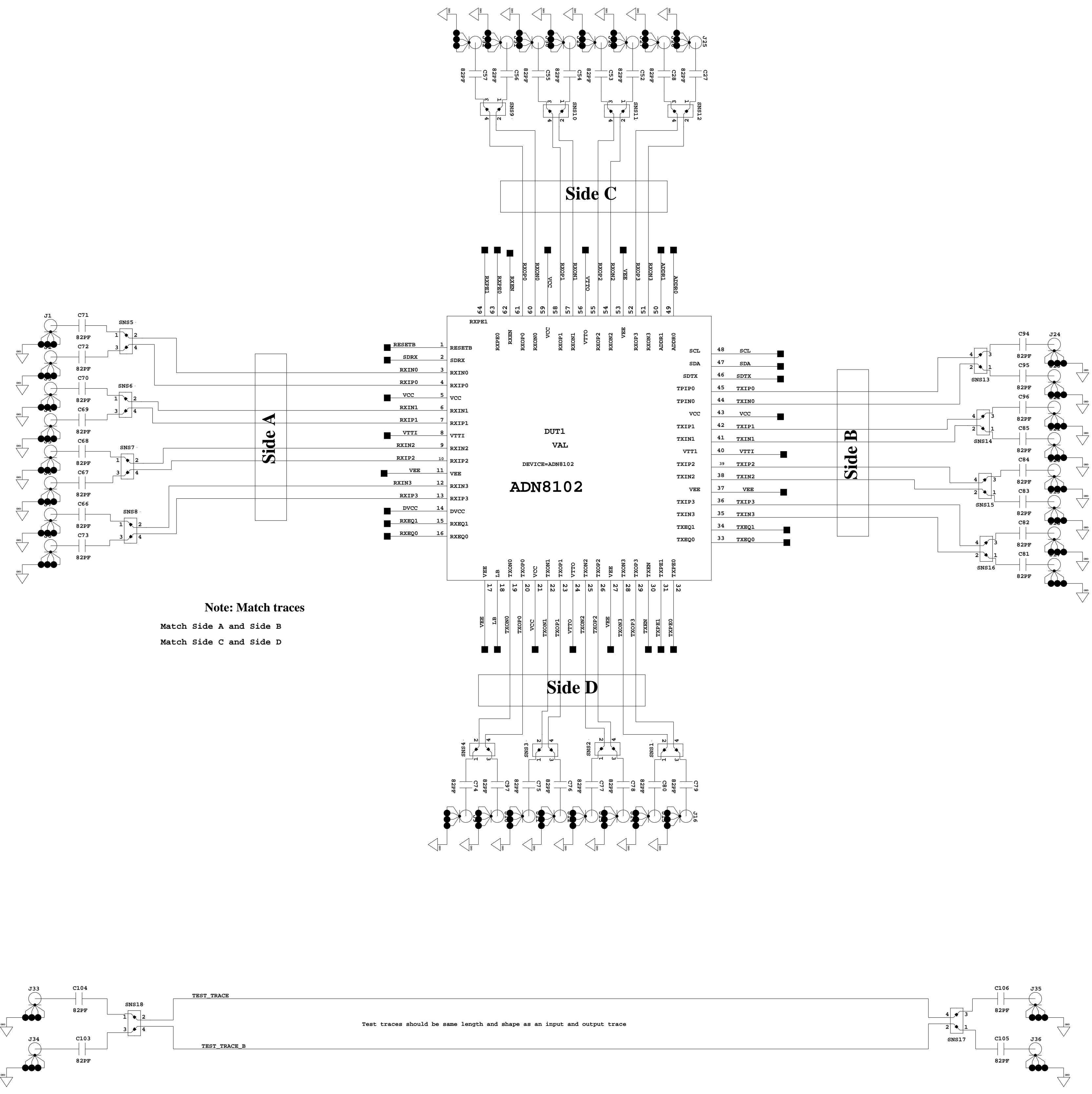
3

2

1

PC BOARD LAYER STACK UP

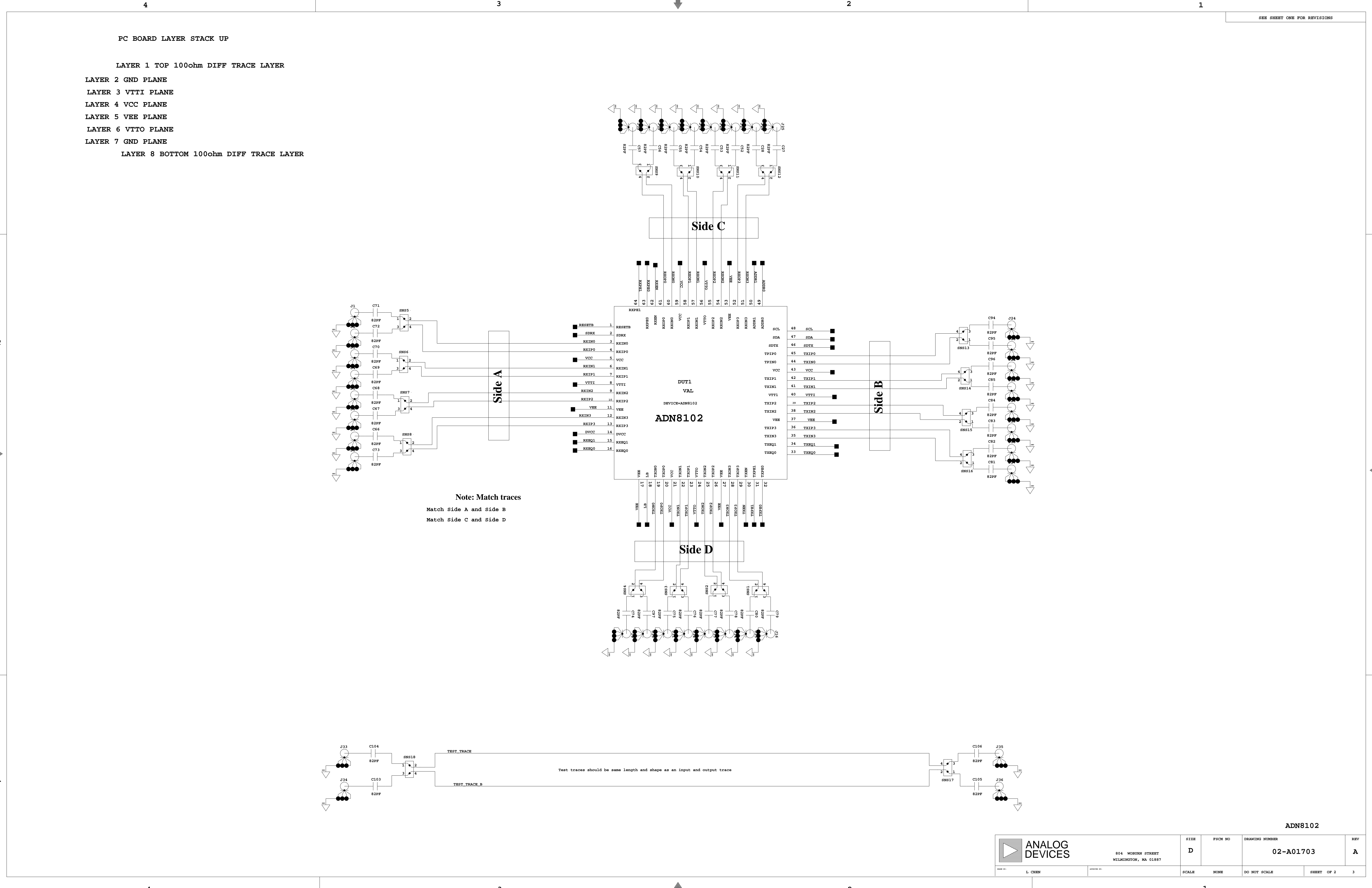
- LAYER 1 TOP 100ohm DIFF TRACE LAYER
- LAYER 2 GND PLANE
- LAYER 3 VTTI PLANE
- LAYER 4 VCC PLANE
- LAYER 5 VEE PLANE
- LAYER 6 VTTO PLANE
- LAYER 7 GND PLANE
- LAYER 8 BOTTOM 100ohm DIFF TRACE LAYER

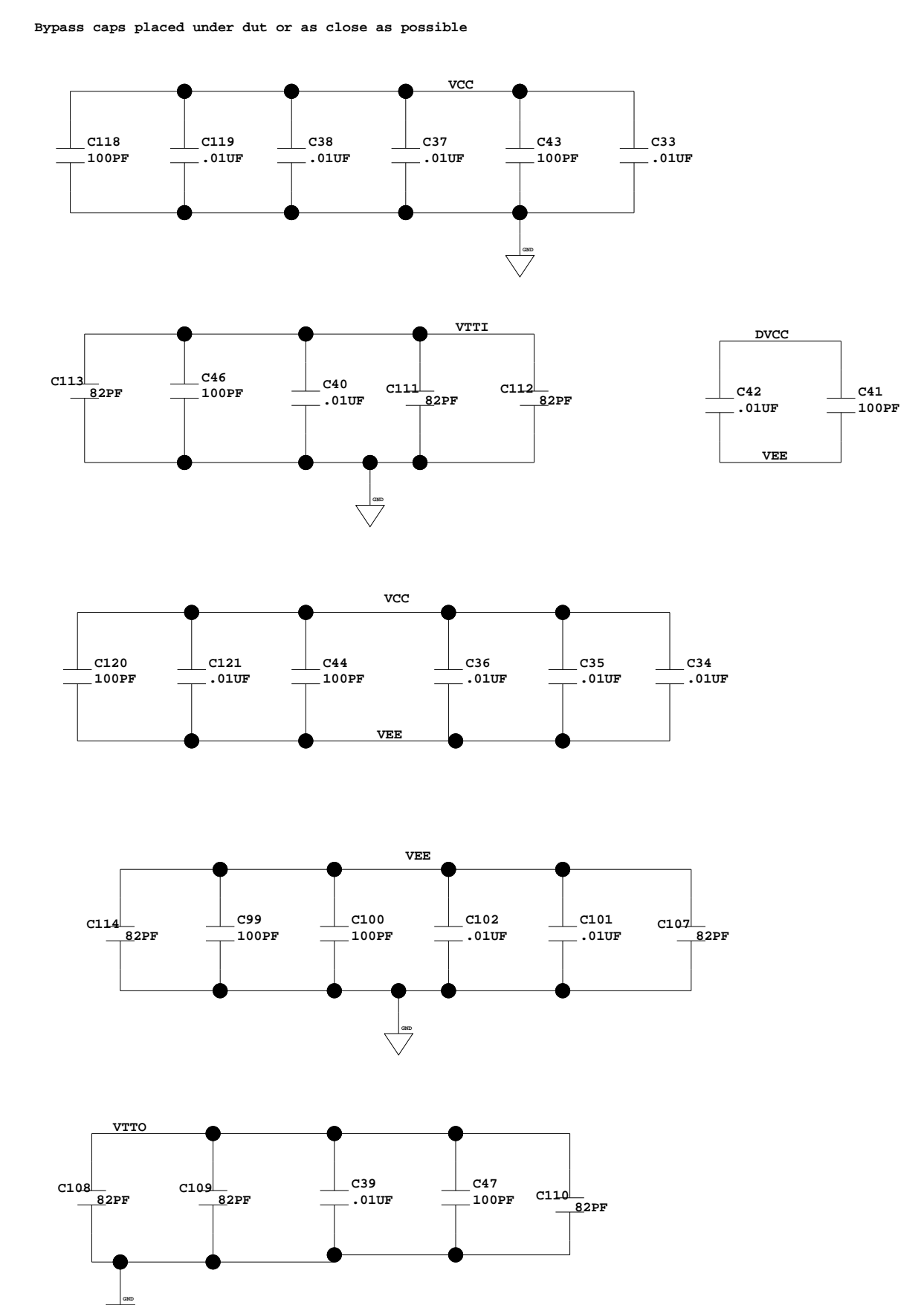
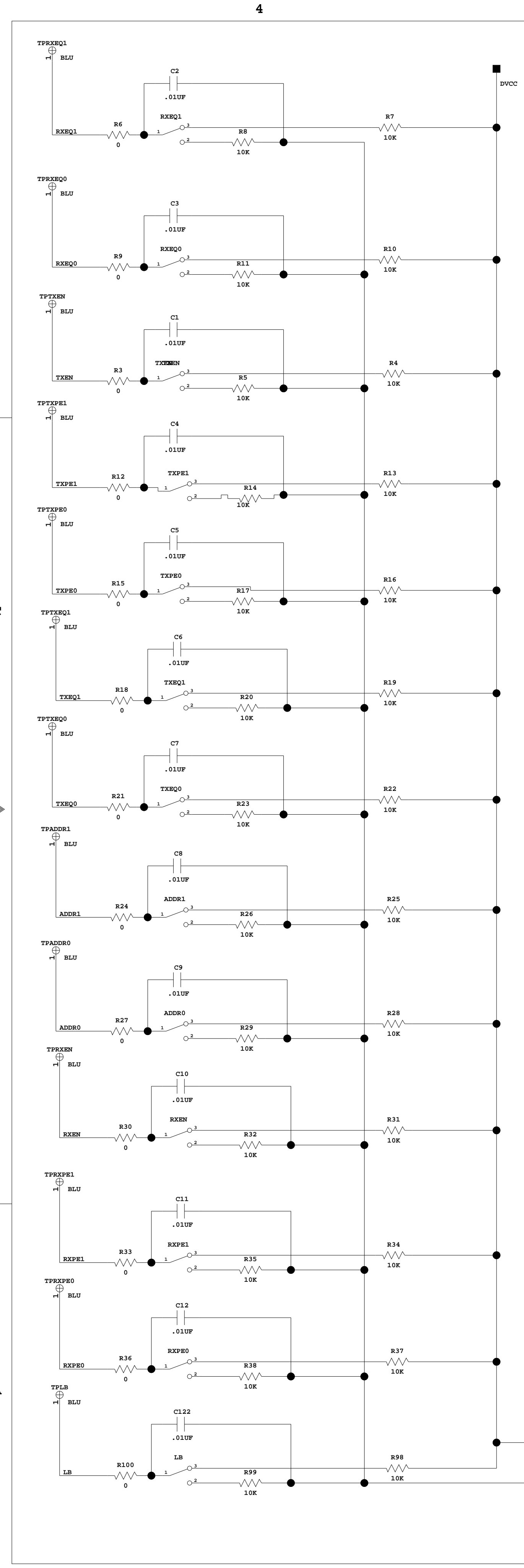


Note: Match traces
 Match Side A and Side B
 Match Side C and Side D

ADN8102

	SIZE	FORM NO	DRAWING NUMBER	REV
	D		02-A01703	A
<small>DESIGNED BY</small> L. CHEN	SCALE	NONE	DO NOT SCALE	<small>SHEET</small> OF 2 3





These jumpers are resistors that when installed will short VCC, VTI and VTO together and short VEE to GND

