

4

3

2

1

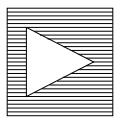
### 8 Layer Stackup

50 OHM TRACES + COMPONENTS	Layer 1
AGND (Ground Plane)	Layer 2
VPOS (Power Plane)	Layer 3
DVCC (Power Plane)	Layer 4
DGND (Ground Plane)	Layer 5
VNEG (Power Plane)	Layer 6
AGND (Ground Plane)	Layer 7
50 OHM TRACES + COMPONENTS	Layer 8

REVISIONS			
REV	DESCRIPTION	DATE	APPROVED
A	ORIGINATION	08/07	J.C.
B	ENGINEERING CHANGES	05/08	B.B.

QTY	STOCK NUMBER	DESCRIPTION	REFERENCES
1	08-A01862B	PRINTED CIRCUIT BOARD	

### Analog Devices Proprietary Information

PART NO	DESCRIPTION	REF DES	NOTES
HIGHEST REF DES USED	UNLESS OTHERWISE SPECIFIED DIMENSIONS ARE IN INCHES  TOLERANCES DECIMALS .XX +.010 FRACTIONS +.005 ANGLES +.005	<b>SCHEMATIC</b>	 <b>ANALOG DEVICES</b> 804 WOBURN ST WILMINGTON, MA 01887
REF DES NOT USED	MATERIAL	APPROVAL DATE DRAWN BY: RS DESIGNED BY: CHECKED:	TITLE <b>AD3200/1/2/3 EVALUATION BRD Z</b>
	FINISH	APPROVED BY: MFG ENGINEER:	SIZE <b>B</b> FSCM NO DRAWING NUMBER <b>02-A01862</b> REV <b>B</b>
	DO NOT SCALE	SCALE NONE	SHEET OF 1 6

4

3

2

1

SEE SHEET ONE FOR REVISIONS

D

D

C

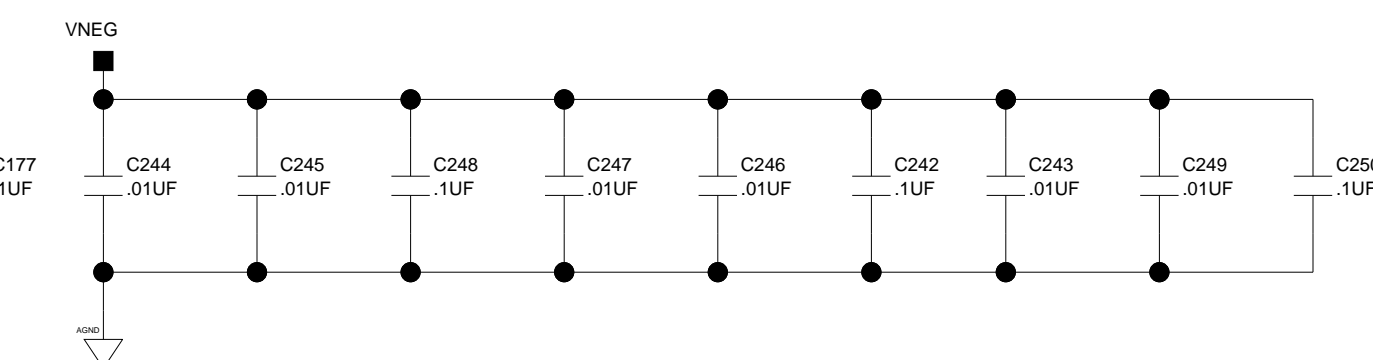
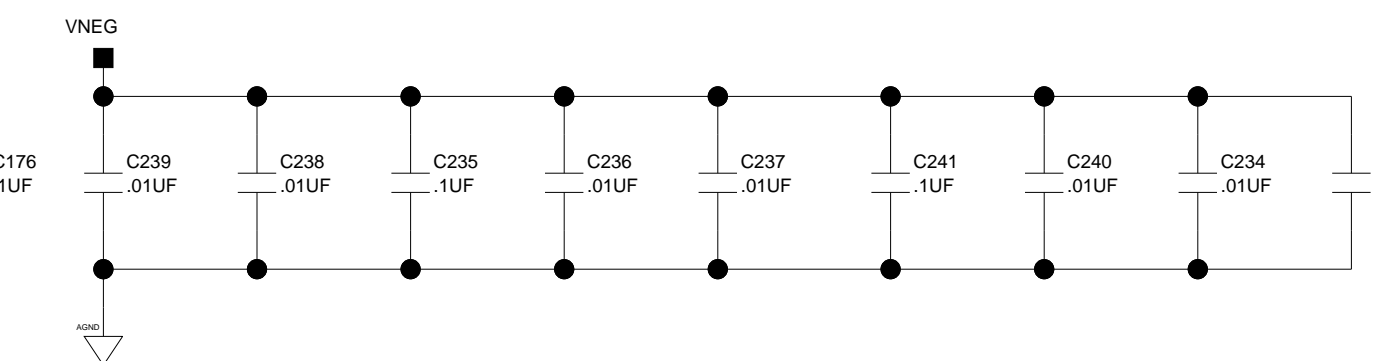
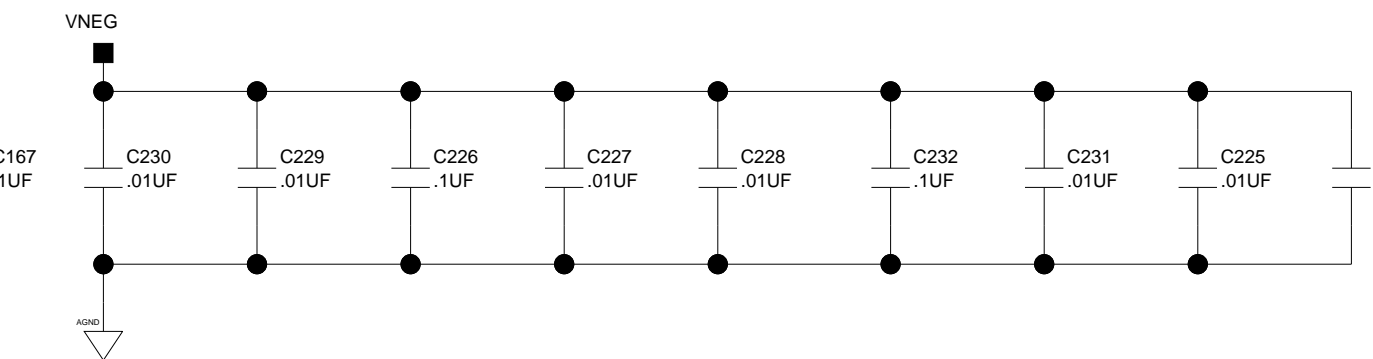
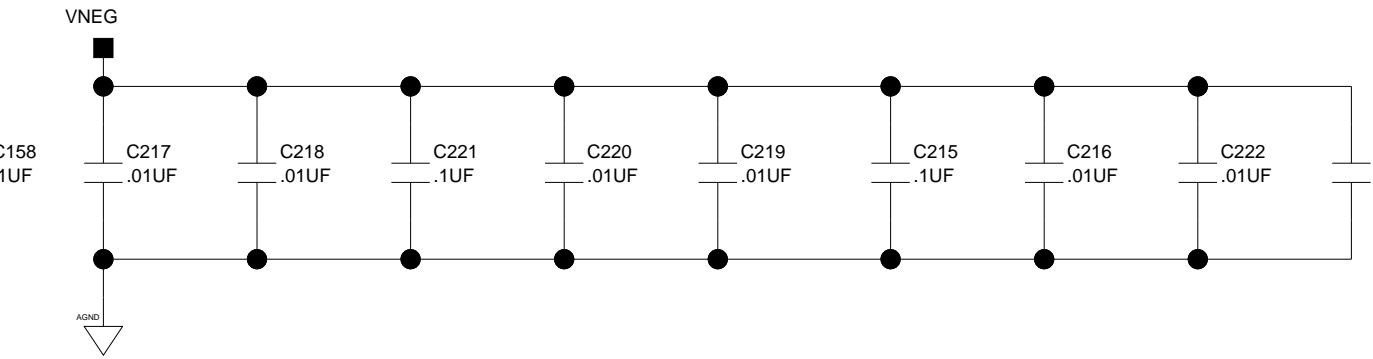
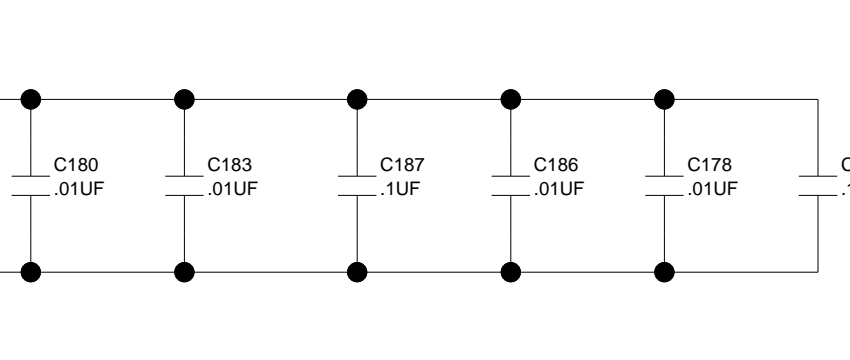
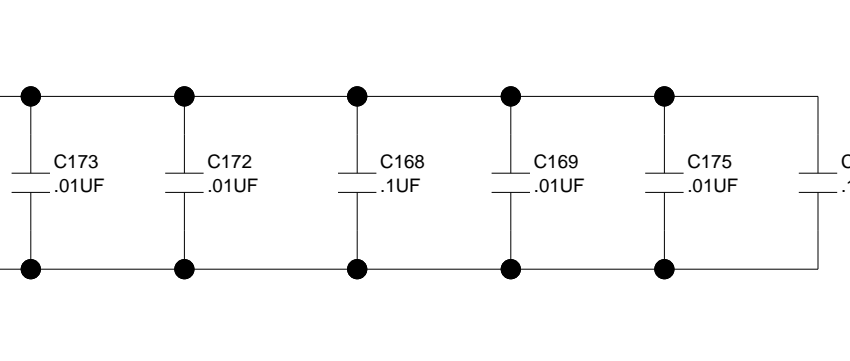
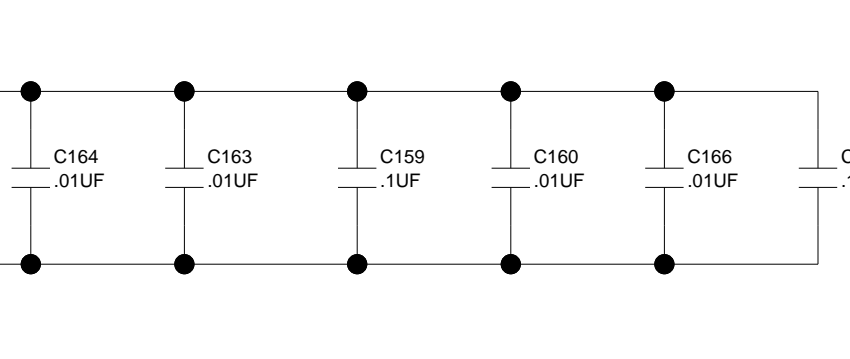
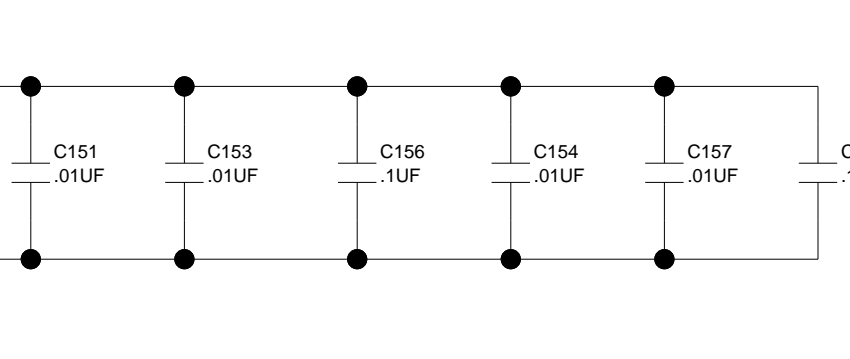
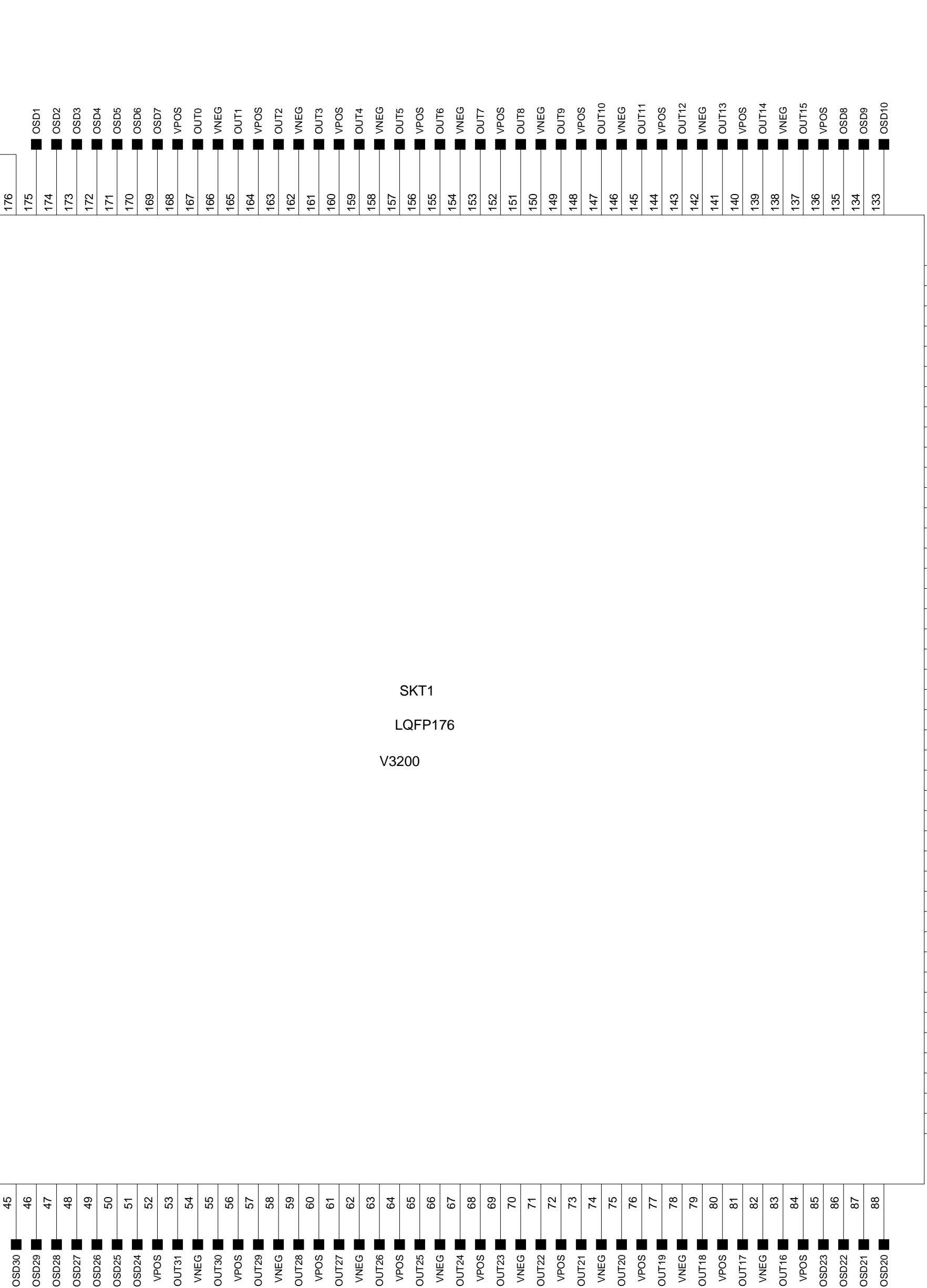
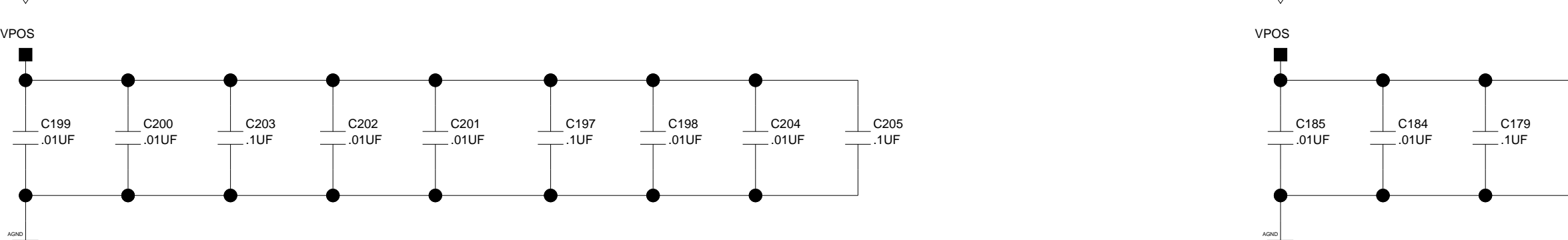
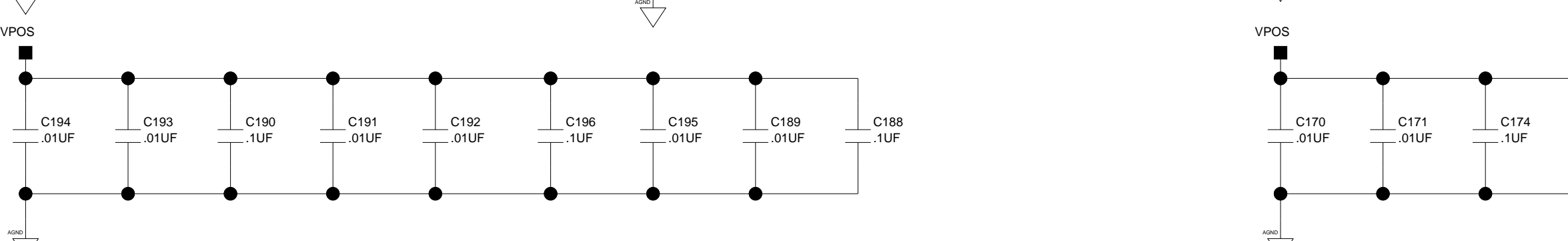
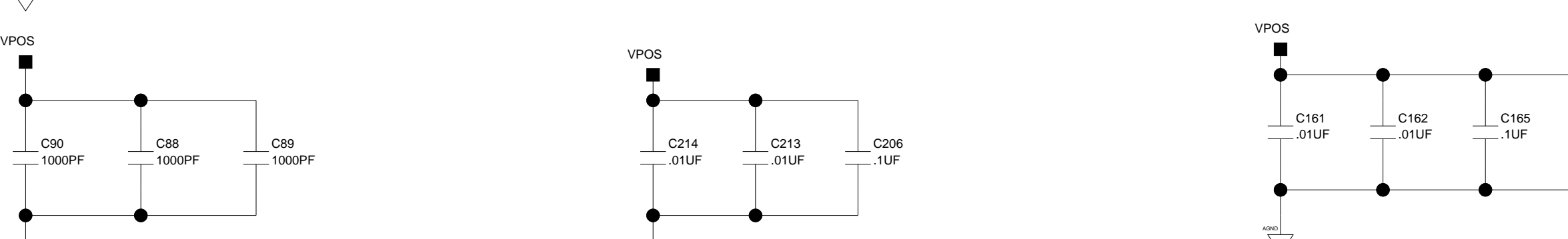
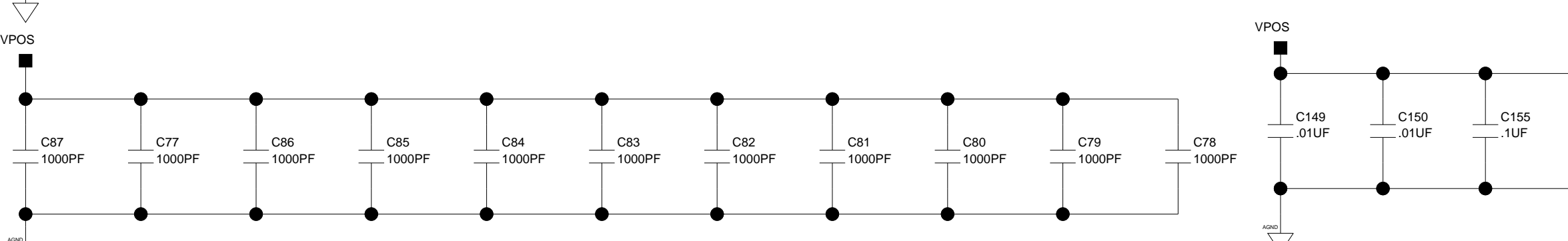
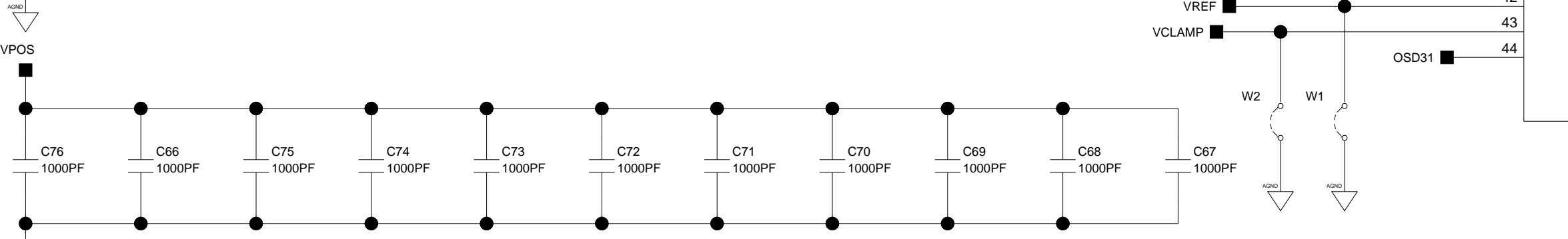
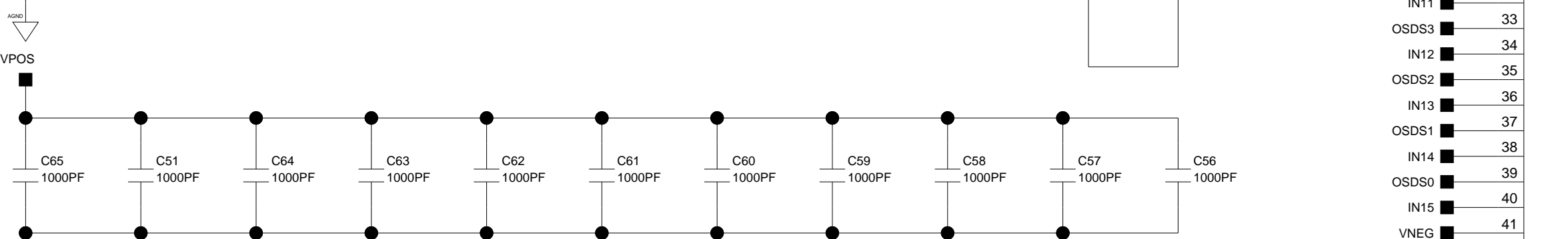
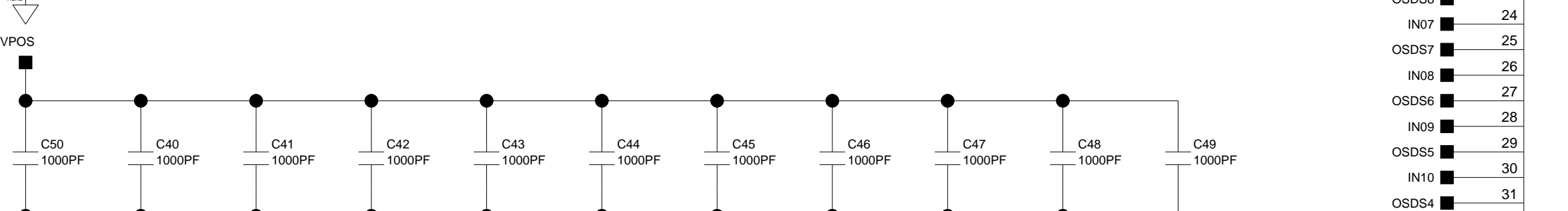
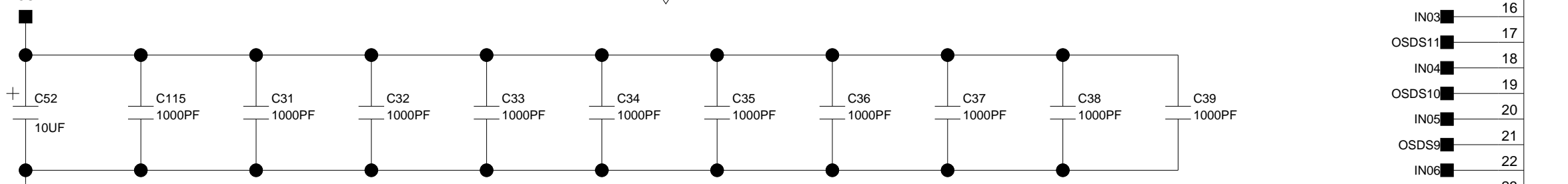
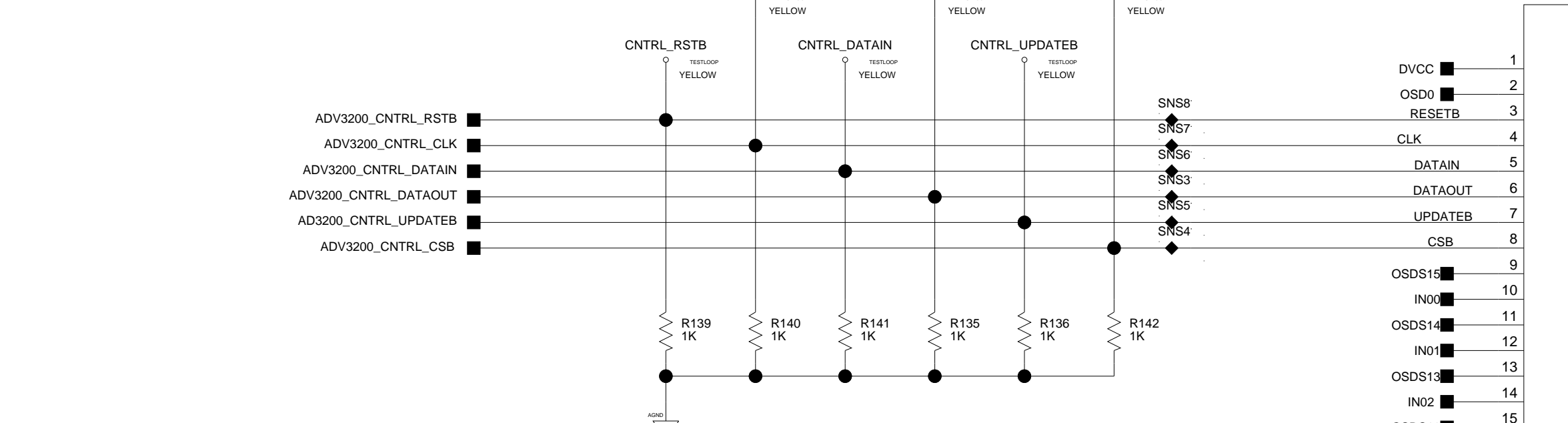
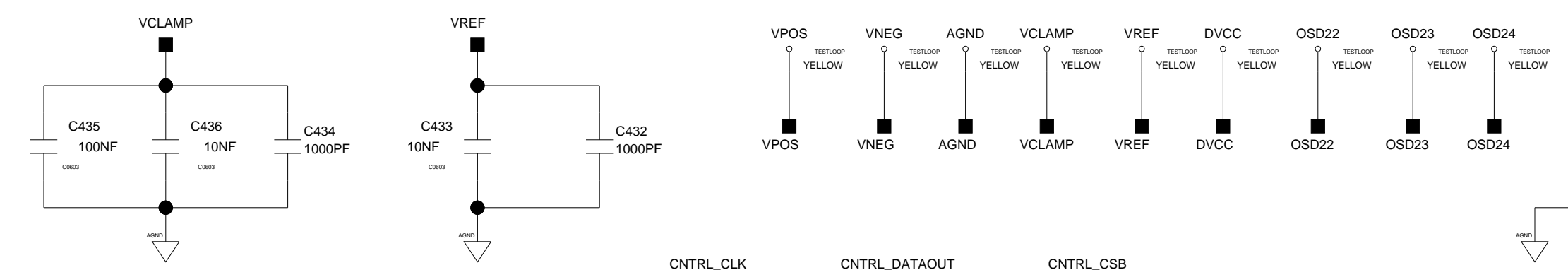
C

B

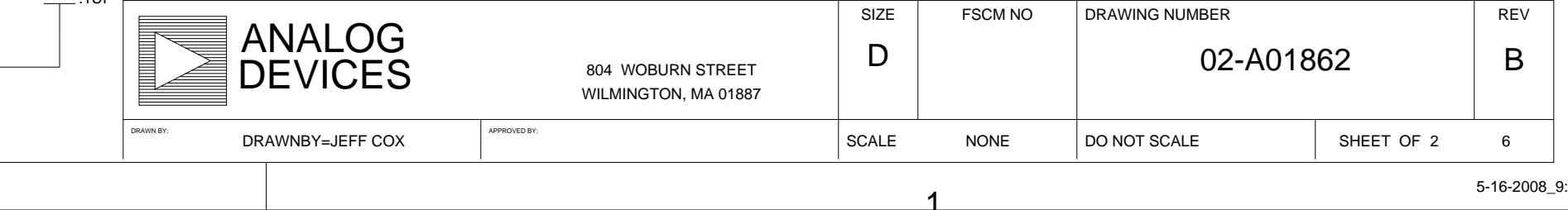
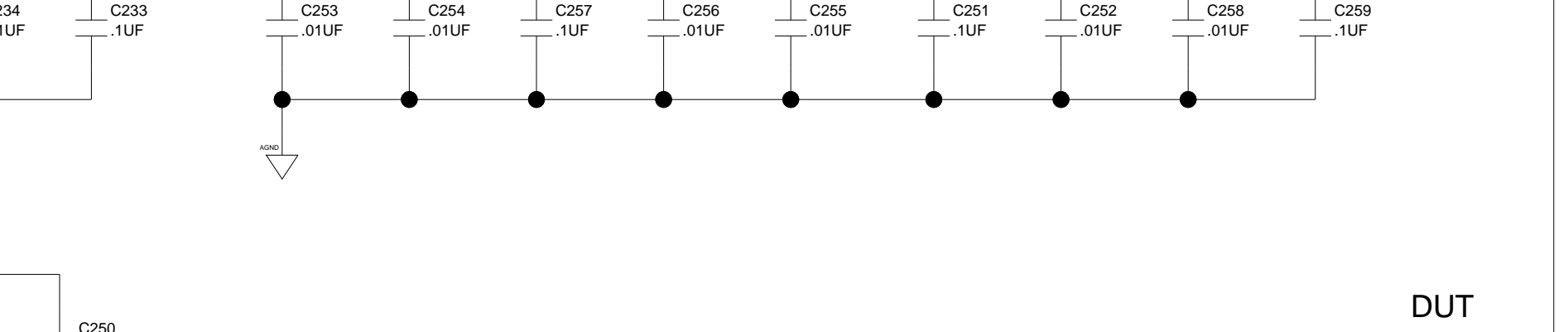
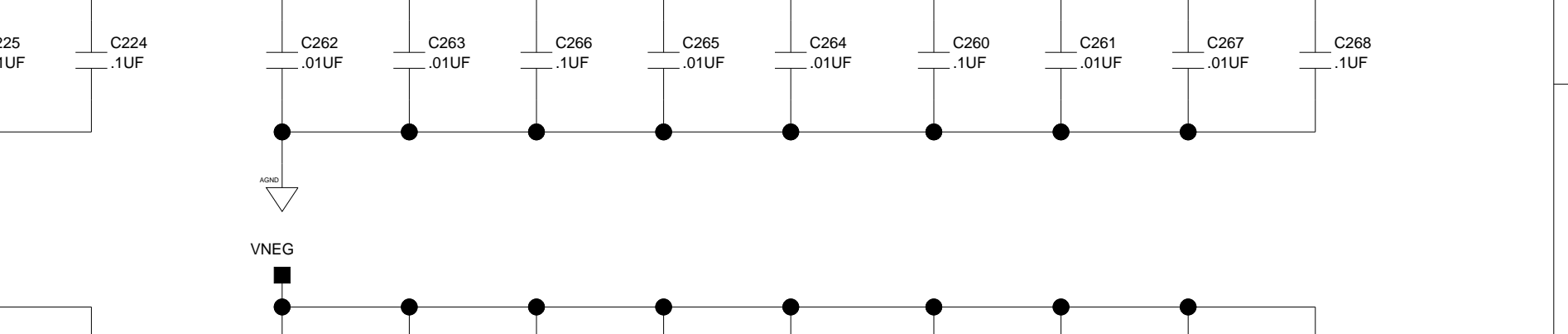
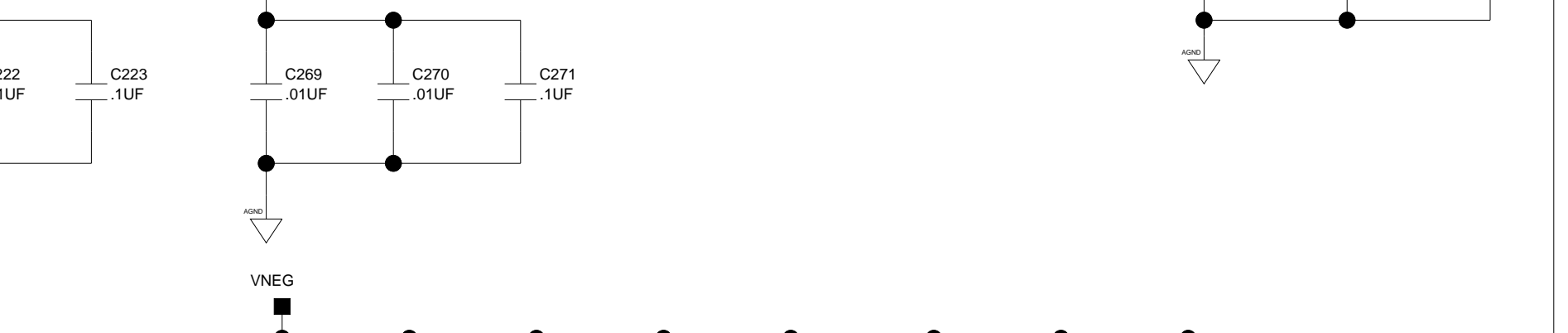
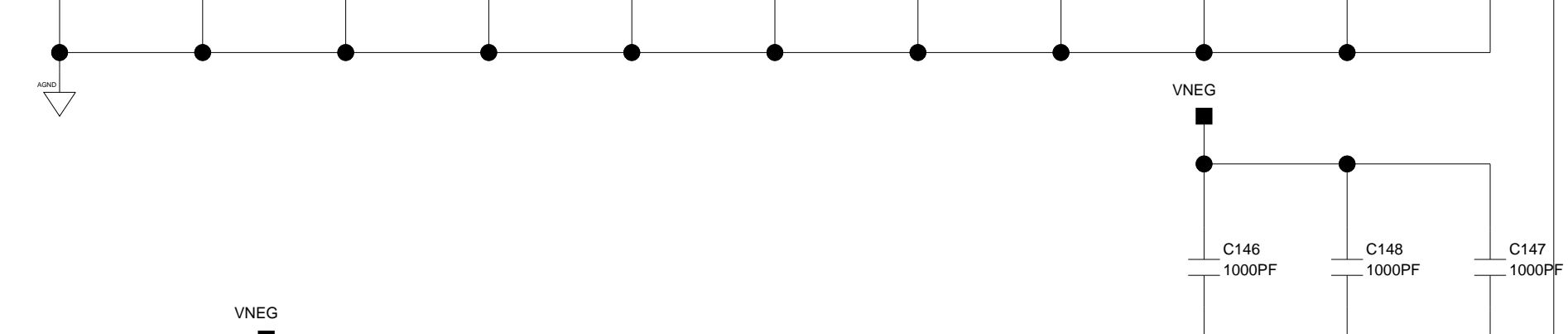
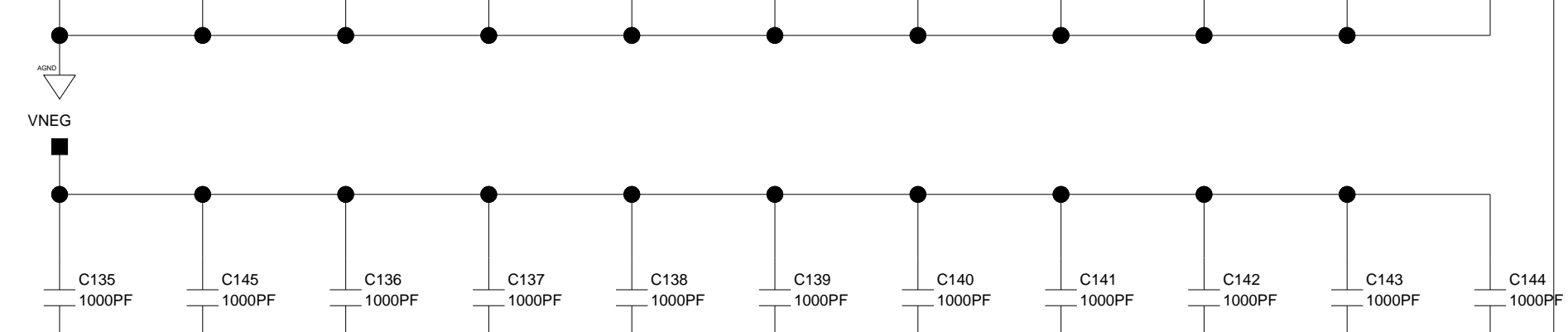
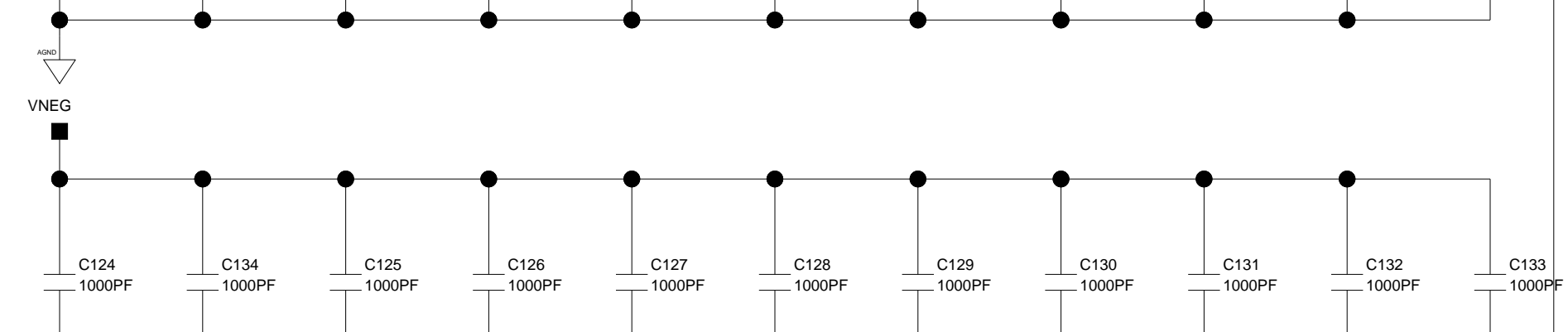
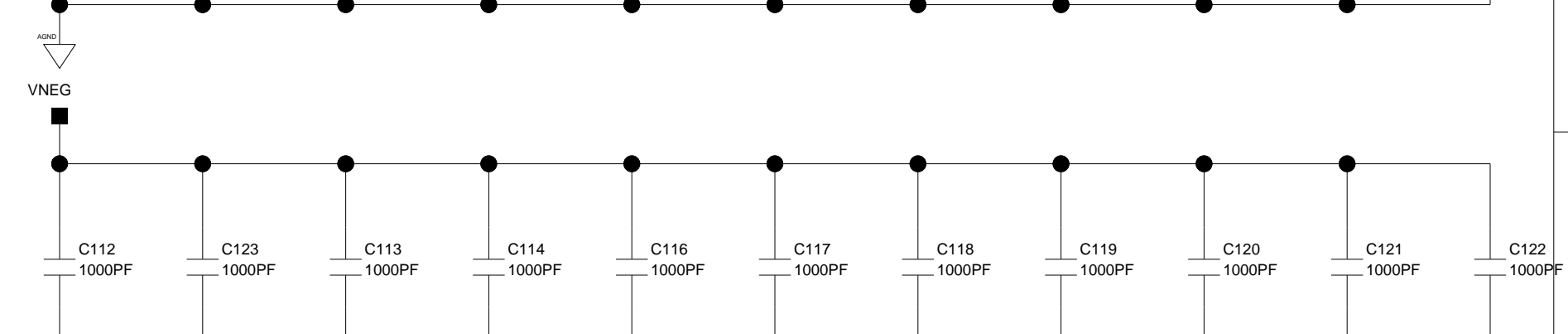
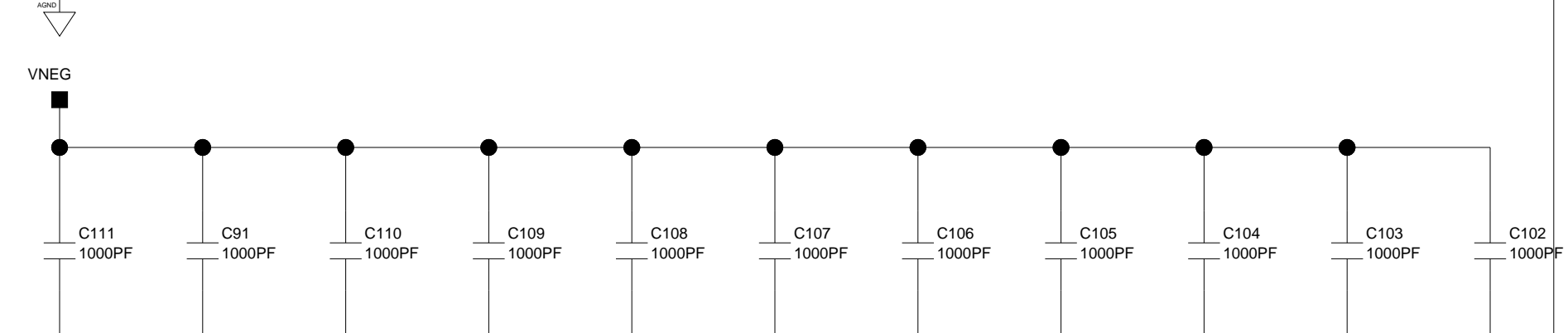
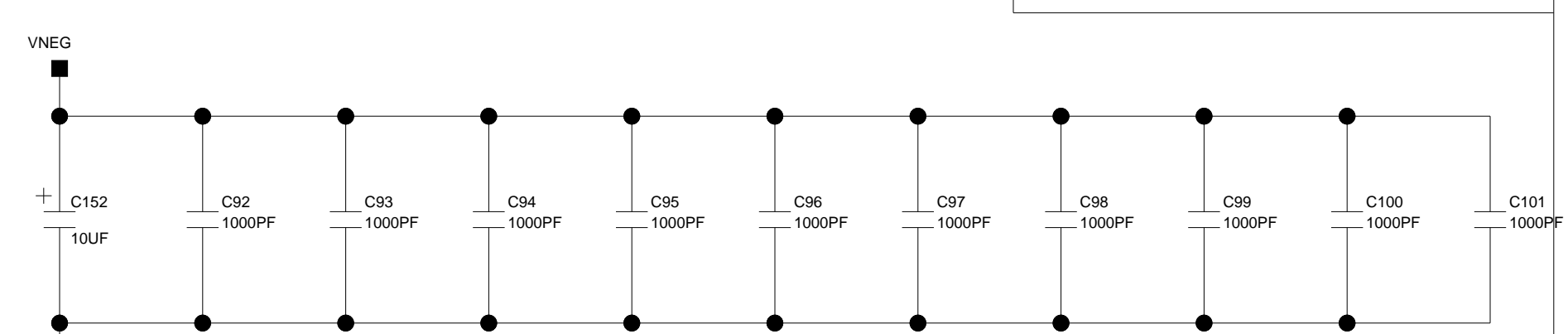
B

A

A



- 132 VNEG
- 131 OSD11
- 130 OSD12
- 129 OSD13
- 128 OSD14
- 127 OSD15
- 126 OSD16
- 125 IN16
- 124 OSD17
- 123 IN17
- 122 OSD18
- 121 IN18
- 120 OSD19
- 119 IN19
- 118 OSD20
- 117 IN20
- 116 OSD21
- 115 IN21
- 114 OSD22
- 113 IN22
- 112 OSD23
- 111 IN23
- 110 OSD24
- 109 IN24
- 108 OSD25
- 107 IN25
- 106 OSD26
- 105 IN26
- 104 OSD27
- 103 IN27
- 102 OSD28
- 101 IN28
- 100 OSD29
- 99 IN29
- 98 OSD30
- 97 IN30
- 96 OSD31
- 95 IN31
- 94 VPOS
- 93 OSD16
- 92 OSD17
- 91 OSD18
- 90 OSD19
- 89 VNEG



804 WOBURN STREET  
WILMINGTON, MA 01887

SIZE <b>D</b>	FSCM NO	DRAWING NUMBER <b>02-A01862</b>	REV <b>B</b>
SCALE NONE	DONOT SCALE	SHEET OF 2	6

DUT

4

3

2

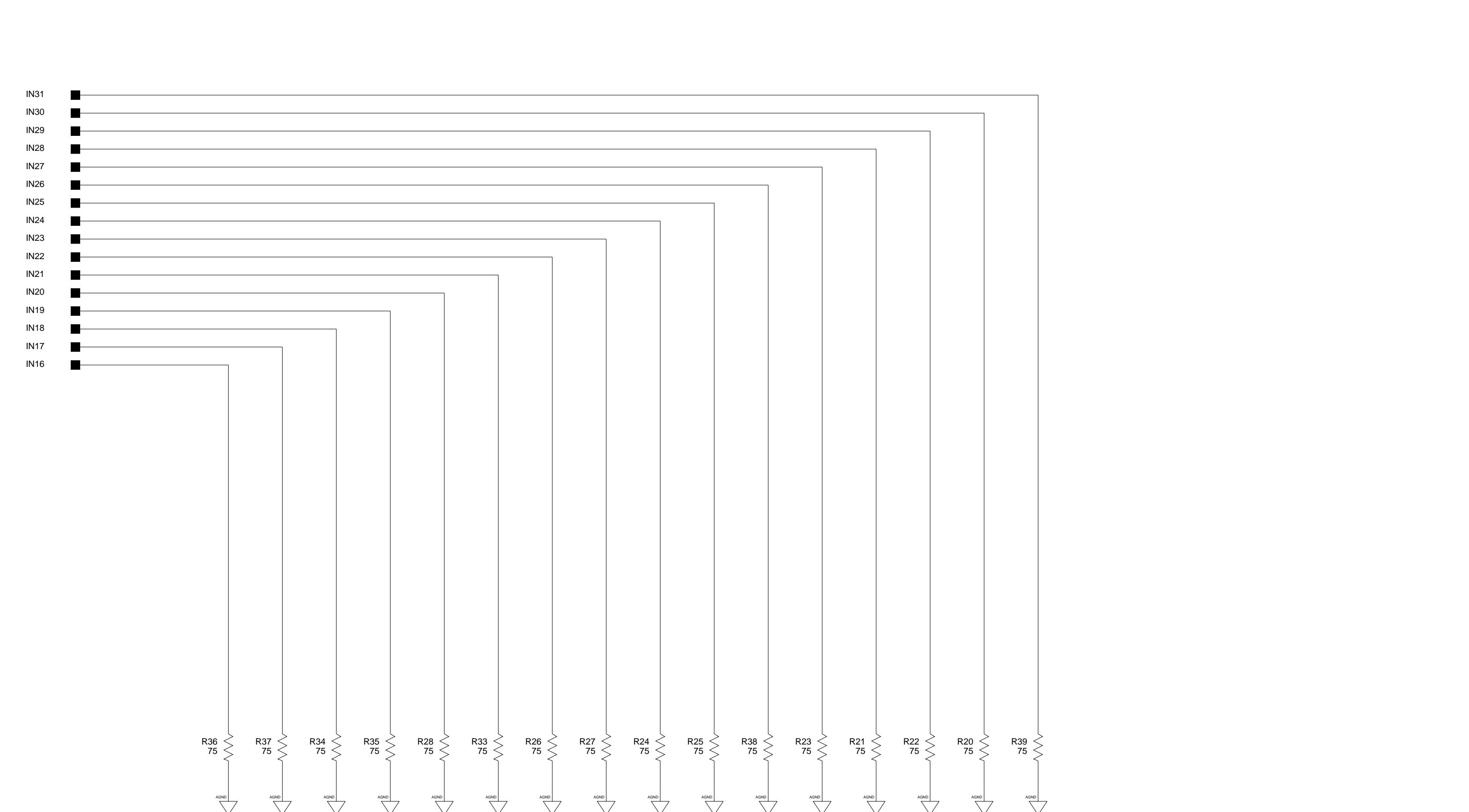
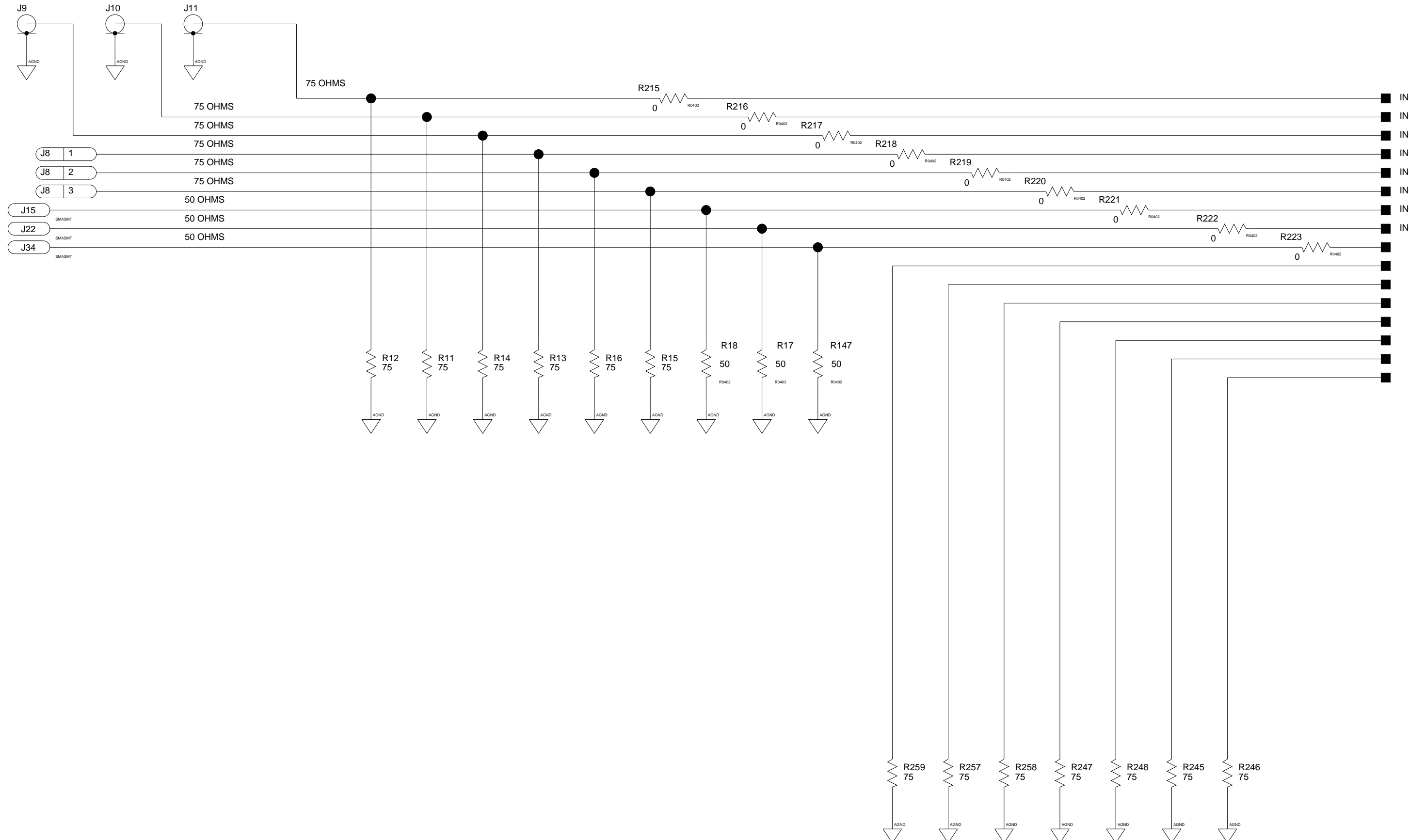
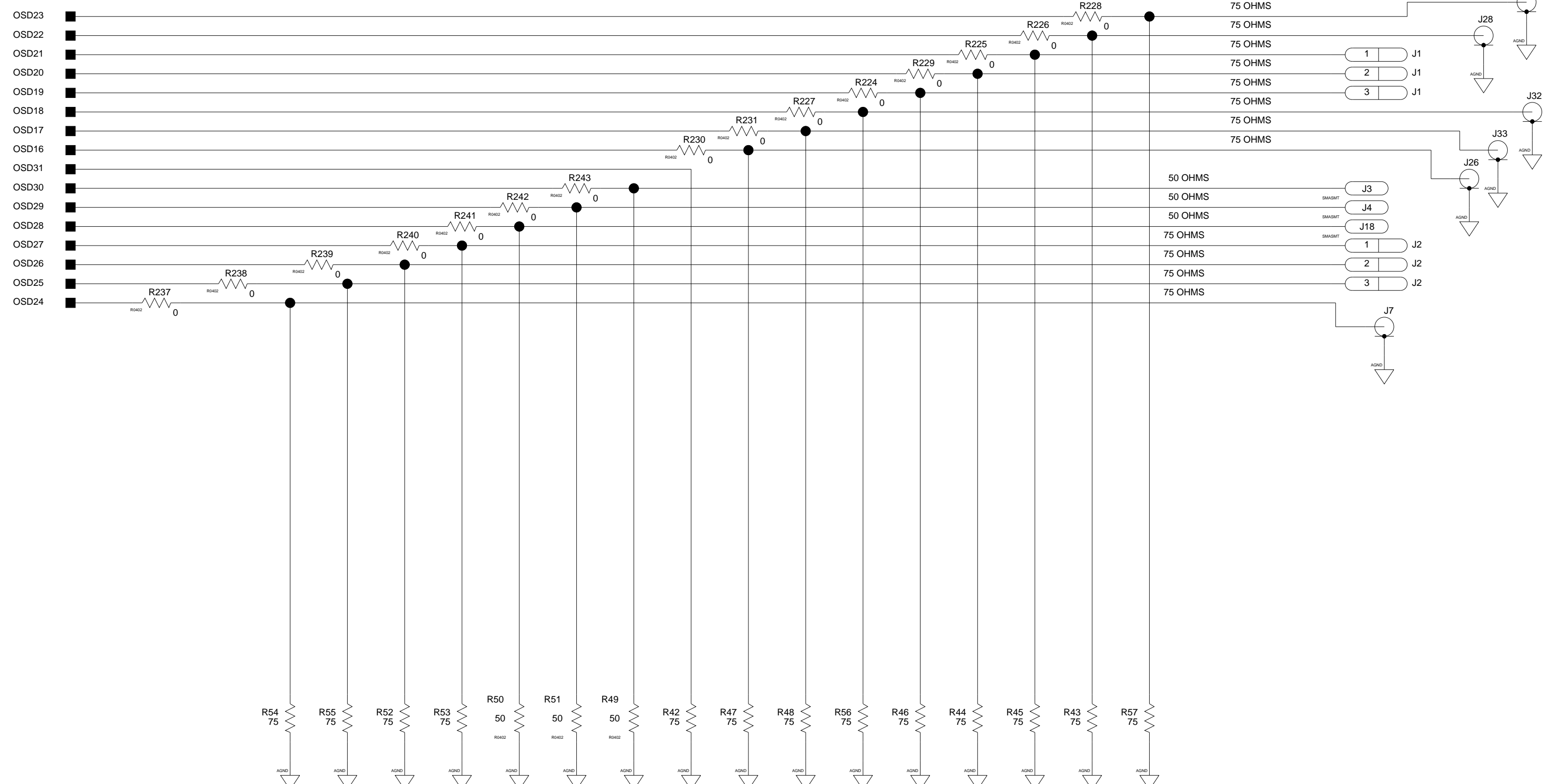
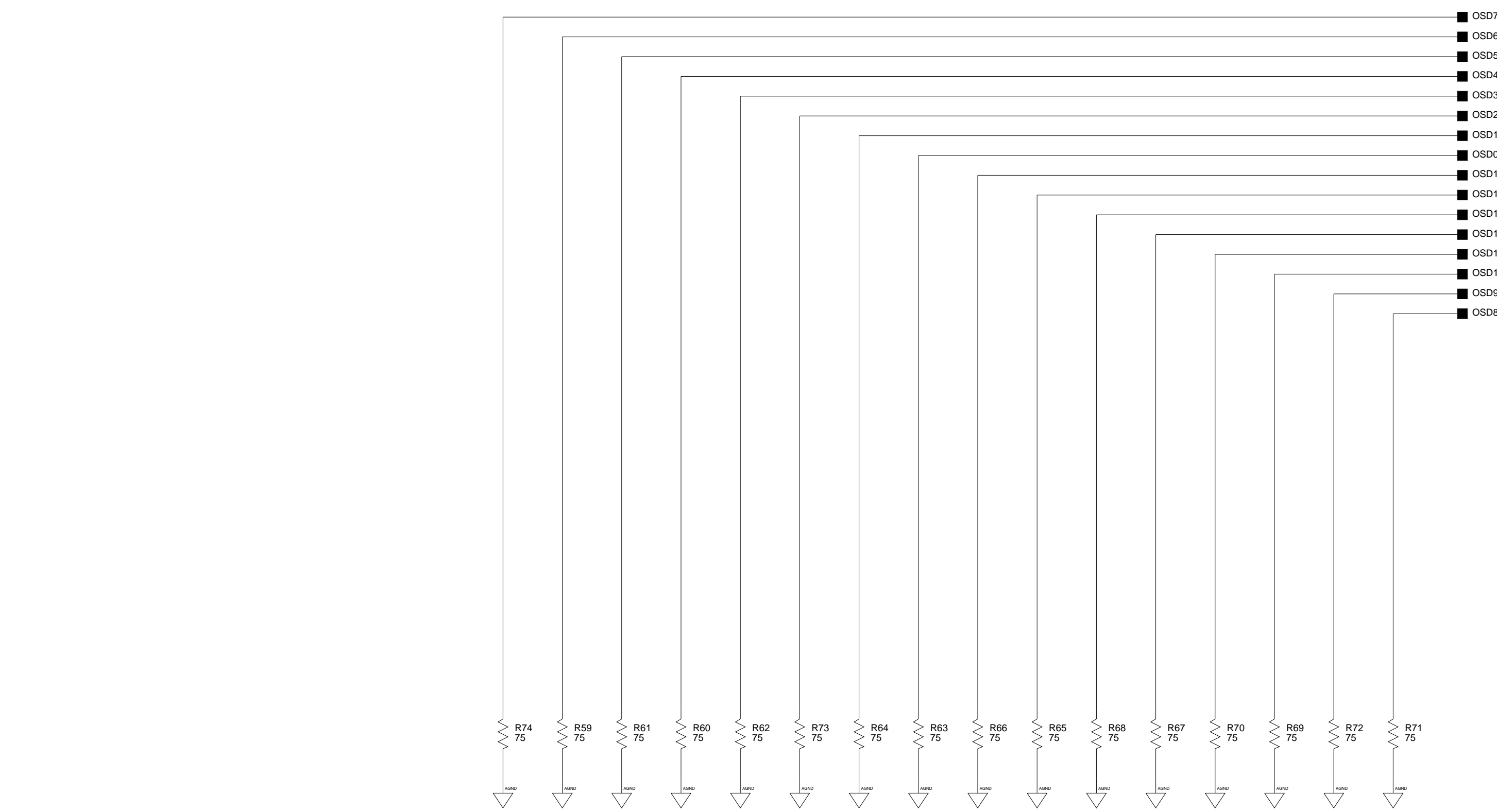
1

D

C

B

A



DUT INPUTS

	804 WOBURN STREET WILMINGTON, MA 01887	SIZE	FSCM NO	DRAWING NUMBER	REV
		D	NONE	02-A01862	B
SCALE	DO NOT SCALE	SHEET OF 3		6	

4

3

2

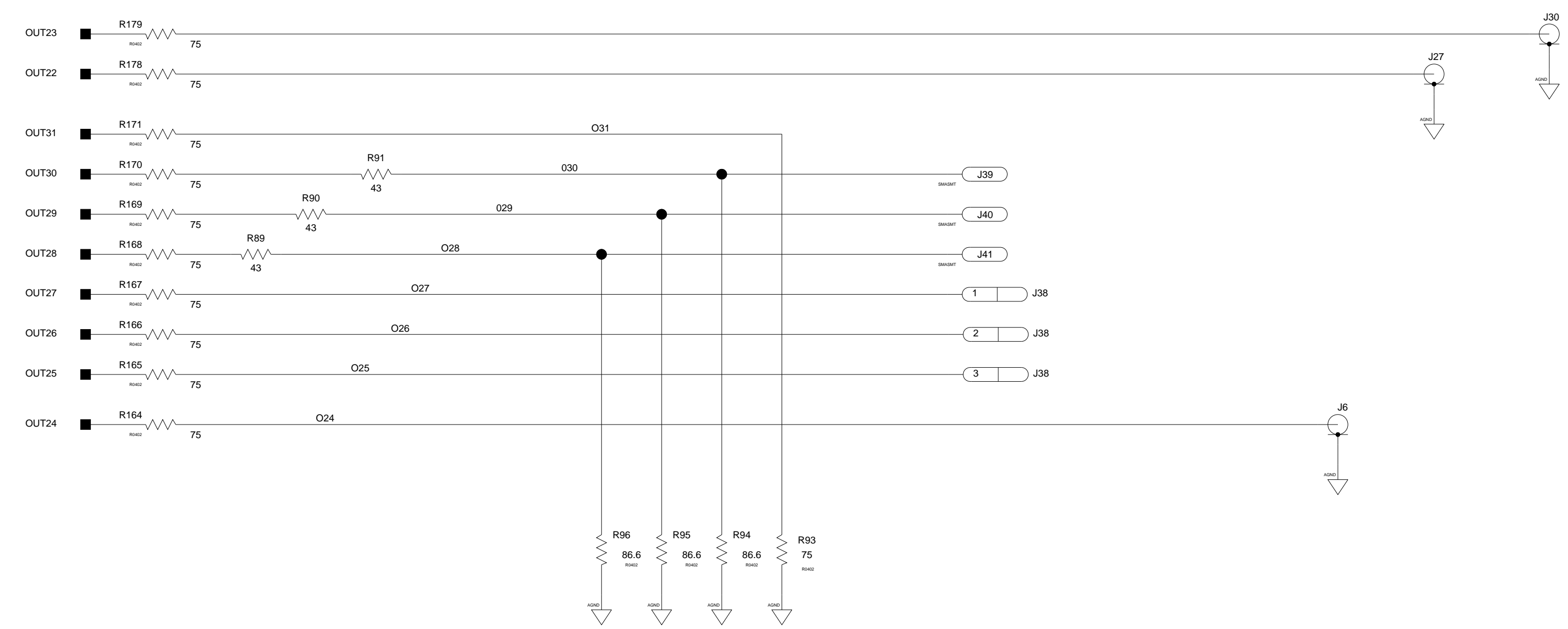
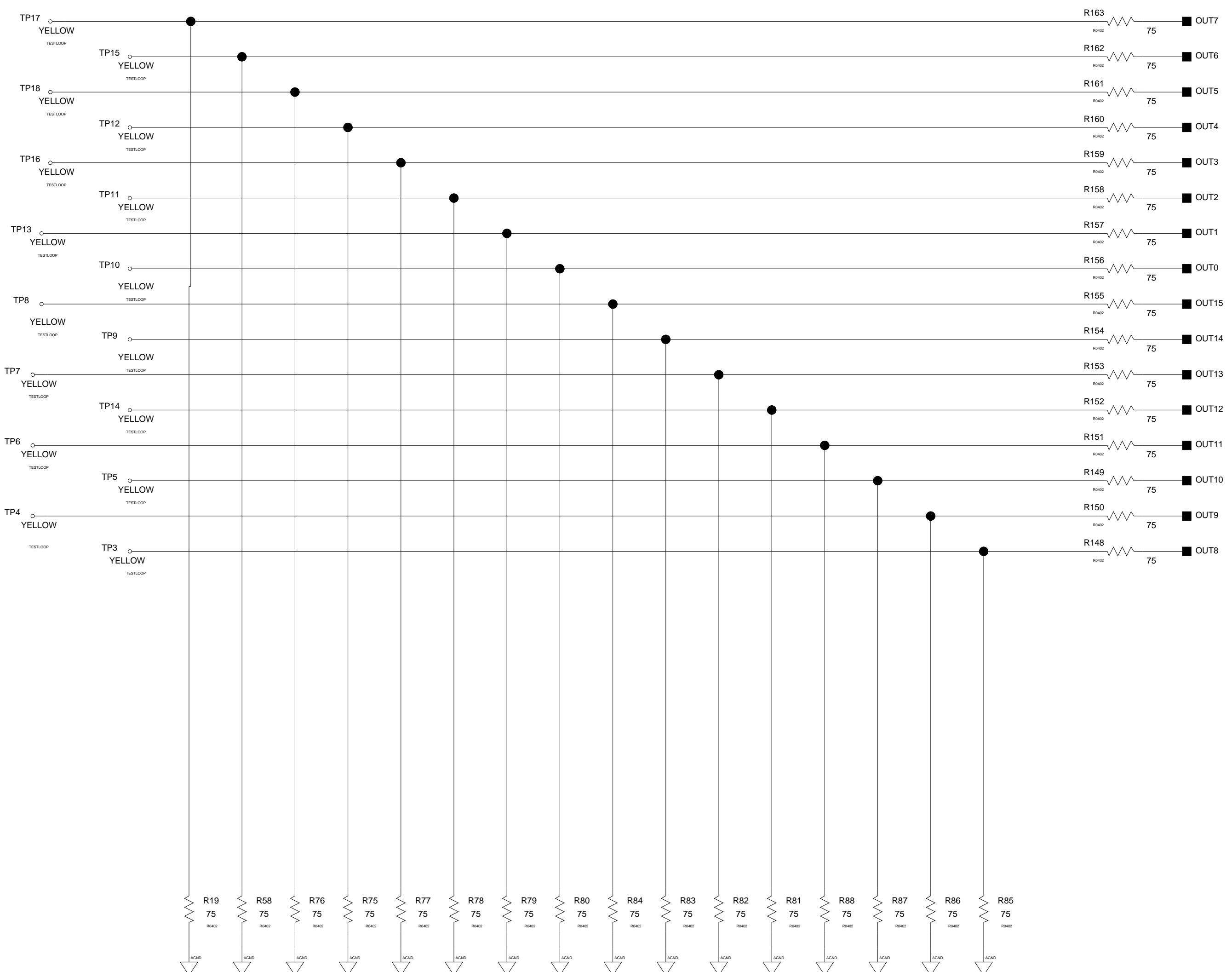
1

5-16-2008\_9.30

ALL LINES ARE 75 OHM

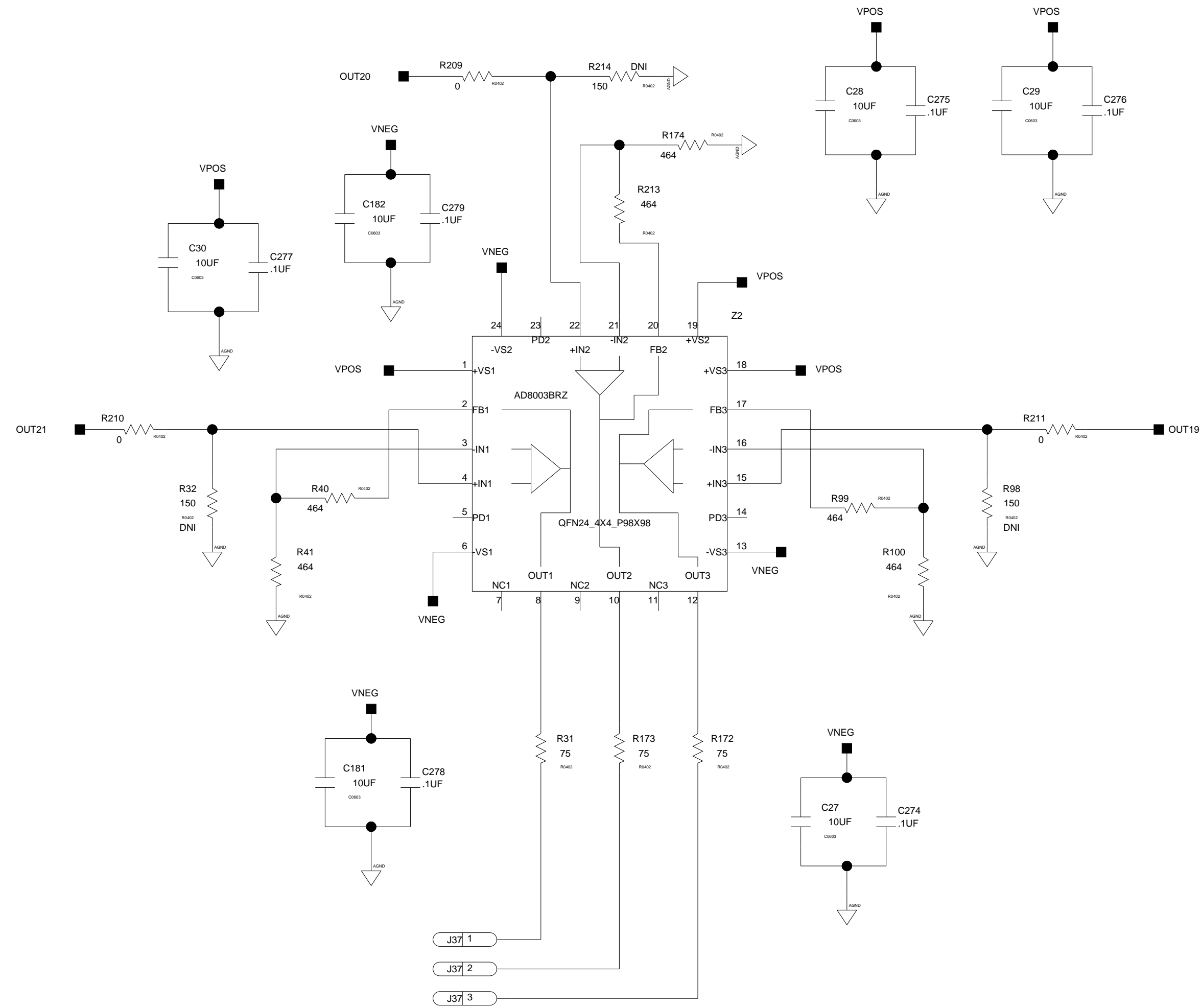
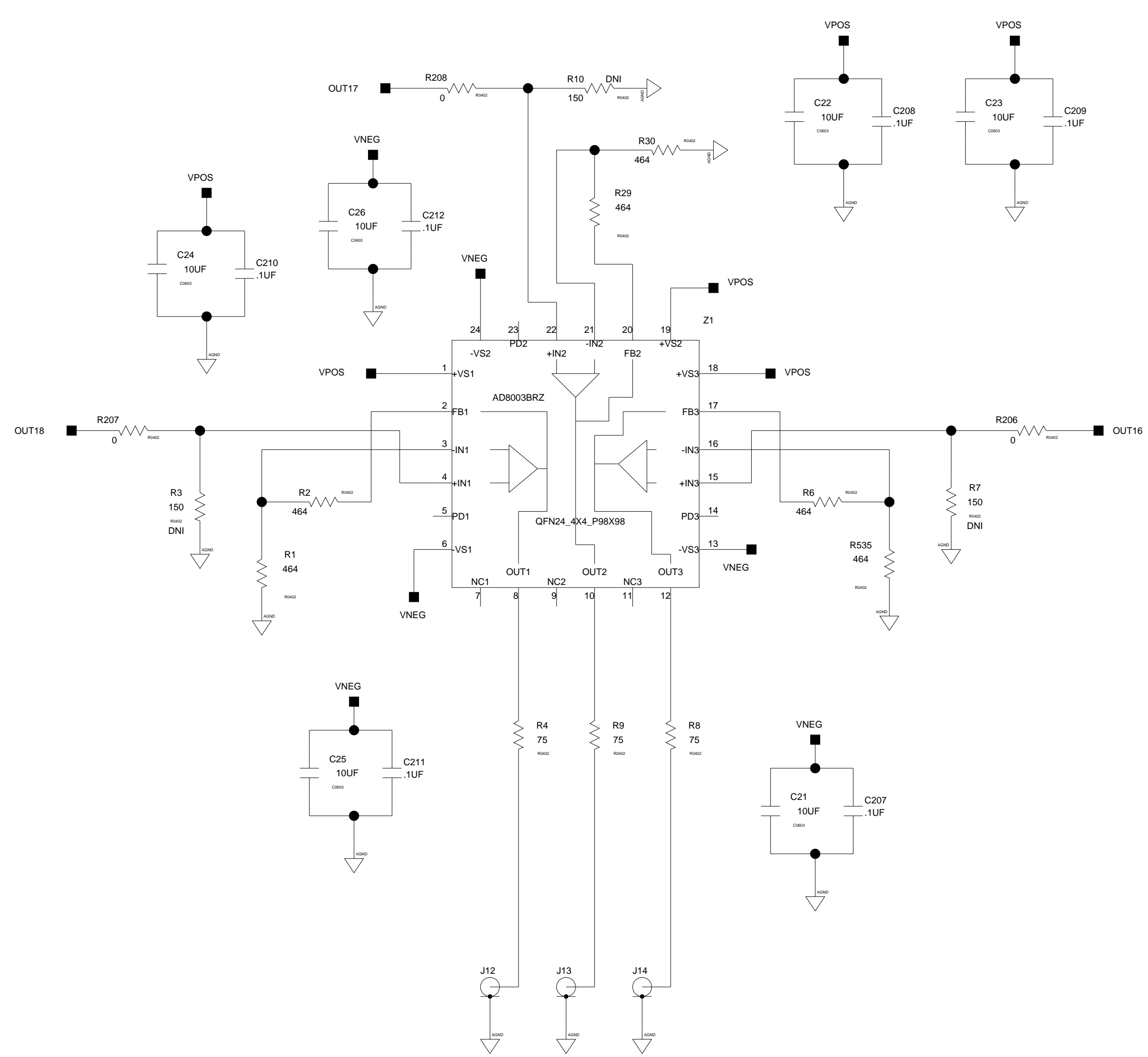
Matching Network as close as possible to DUT

Matching Network as close as possible to DUT



DUT OUTPUTS

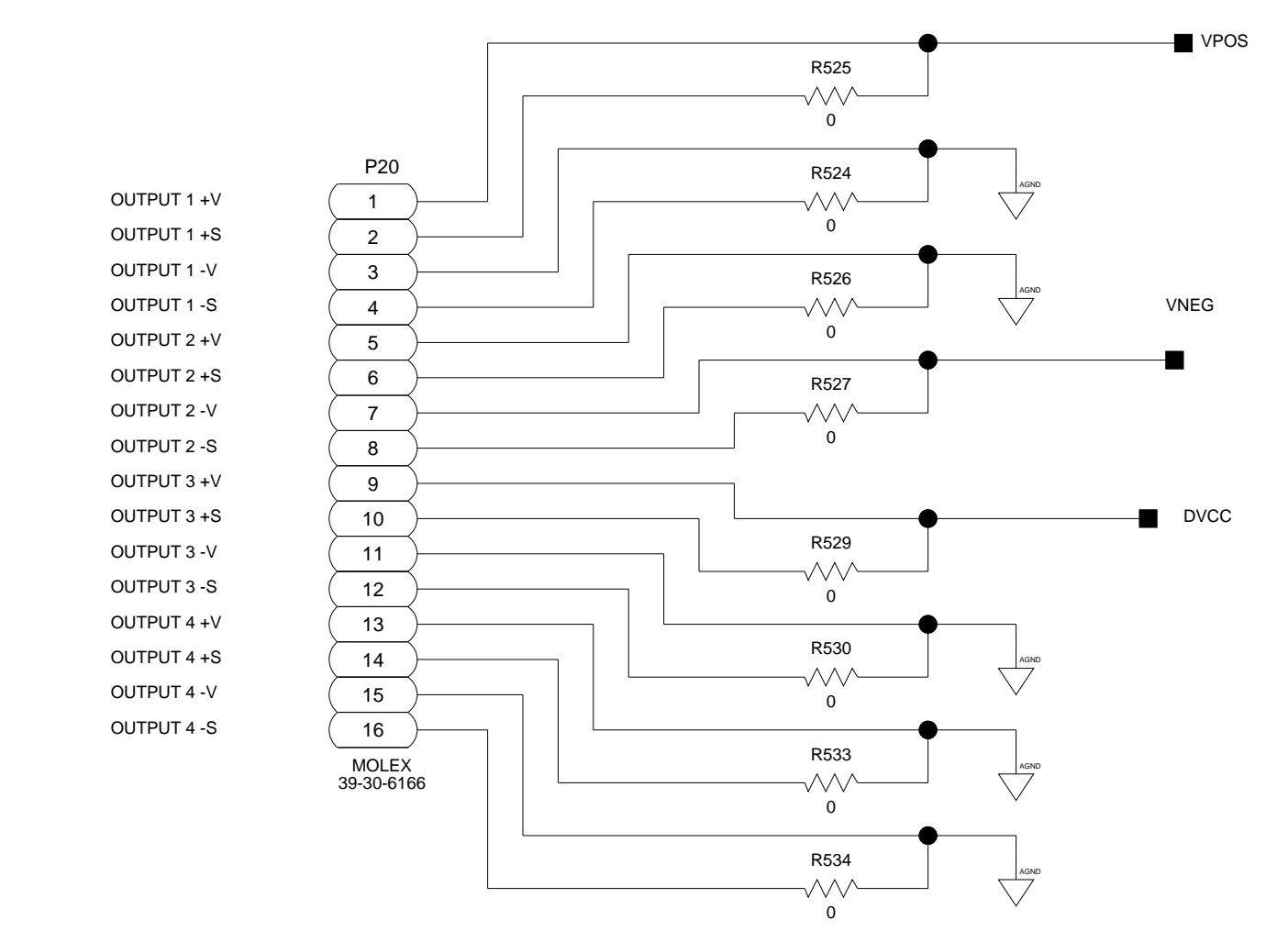
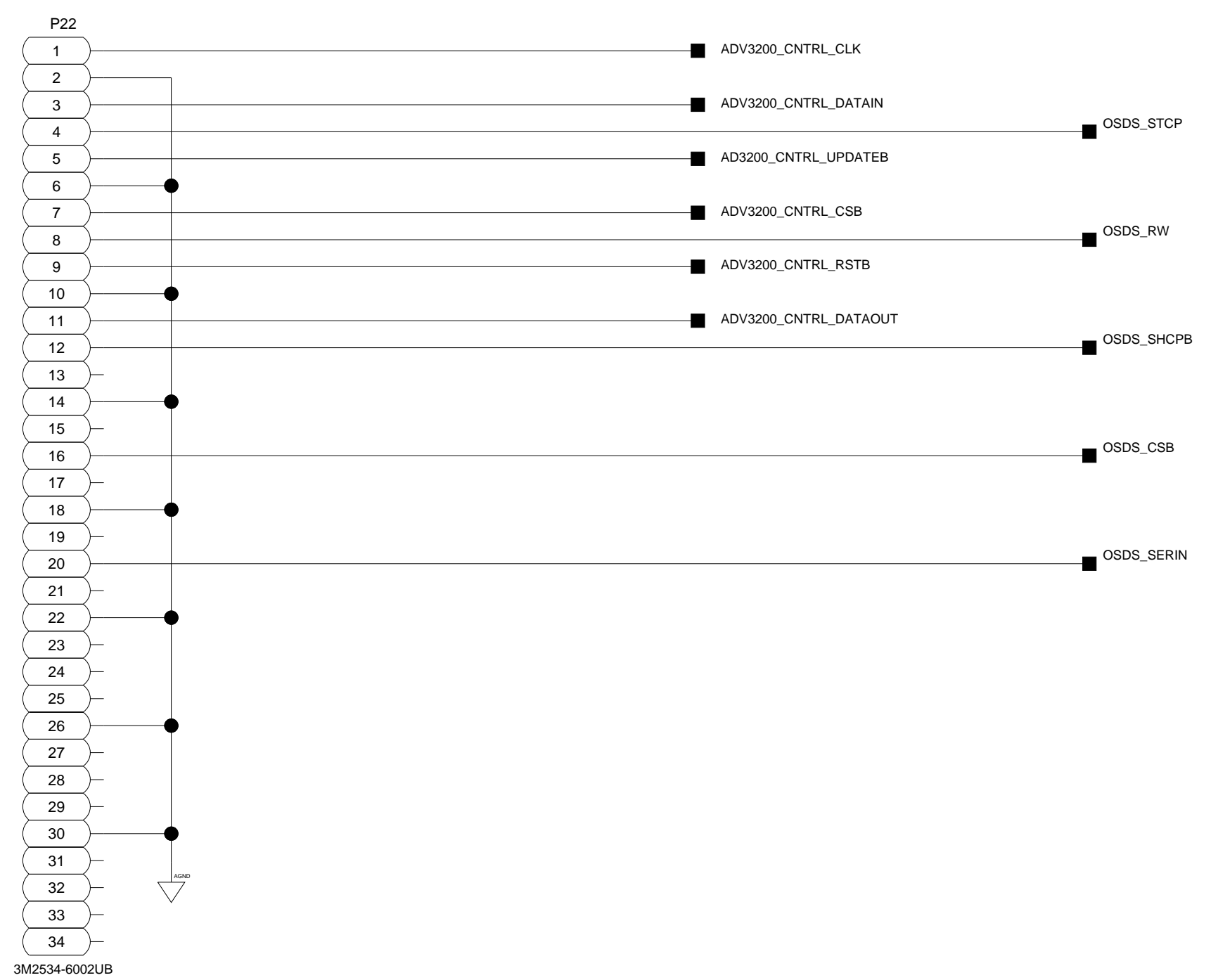
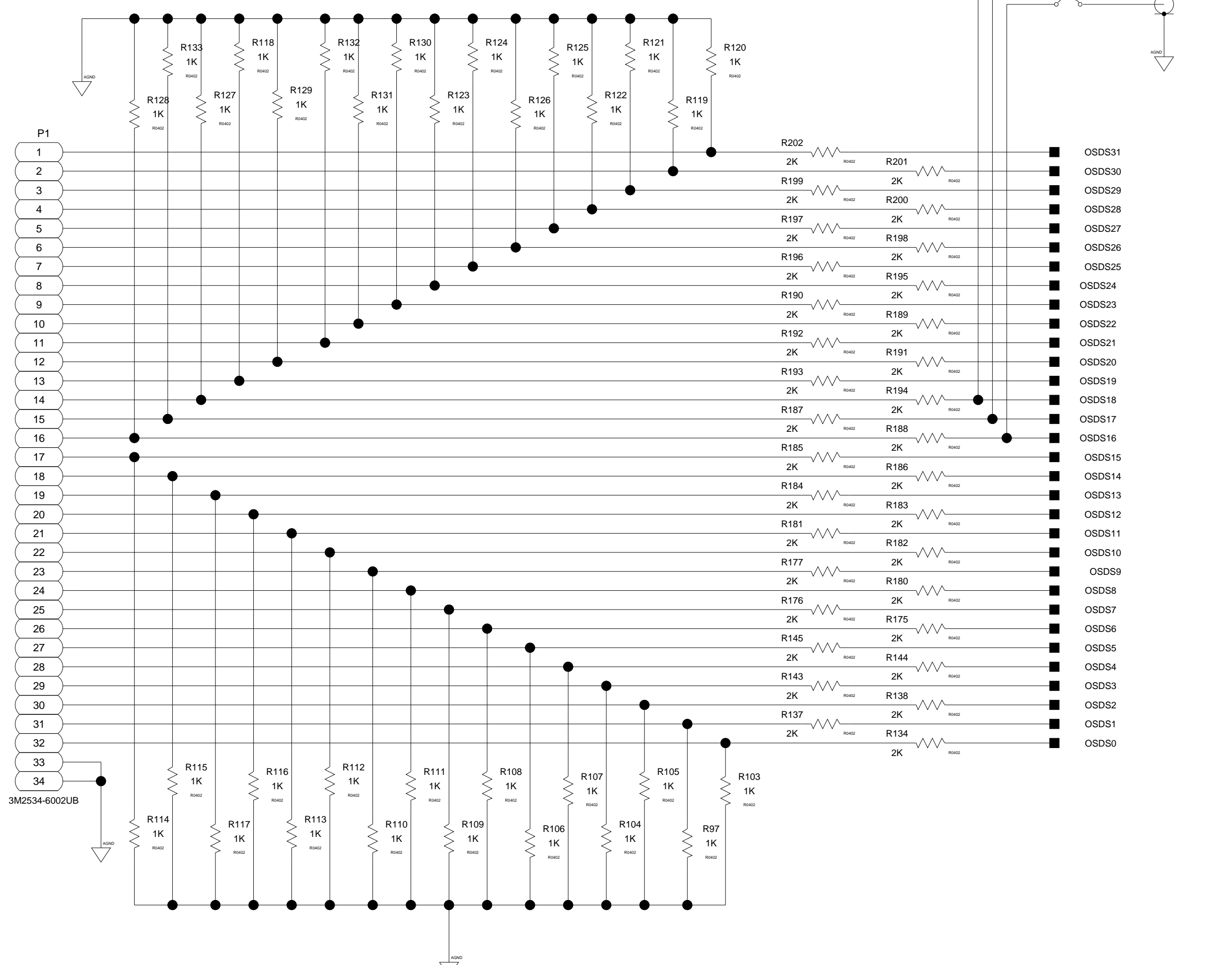
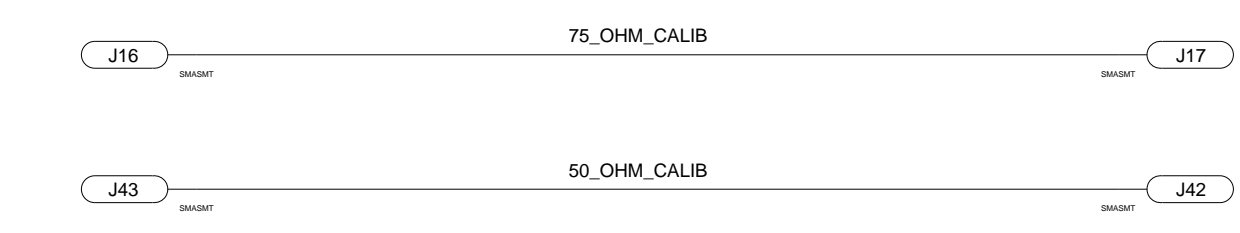
	804 WOBURN STREET WILMINGTON, MA 01887	SIZE	FSCM NO	DRAWING NUMBER	REV
		D		02-A01862	B
DRAWN BY: JEFF COX	APPROVED BY:	SCALE	NONE	DO NOT SCALE	SHEET OF 4
					6



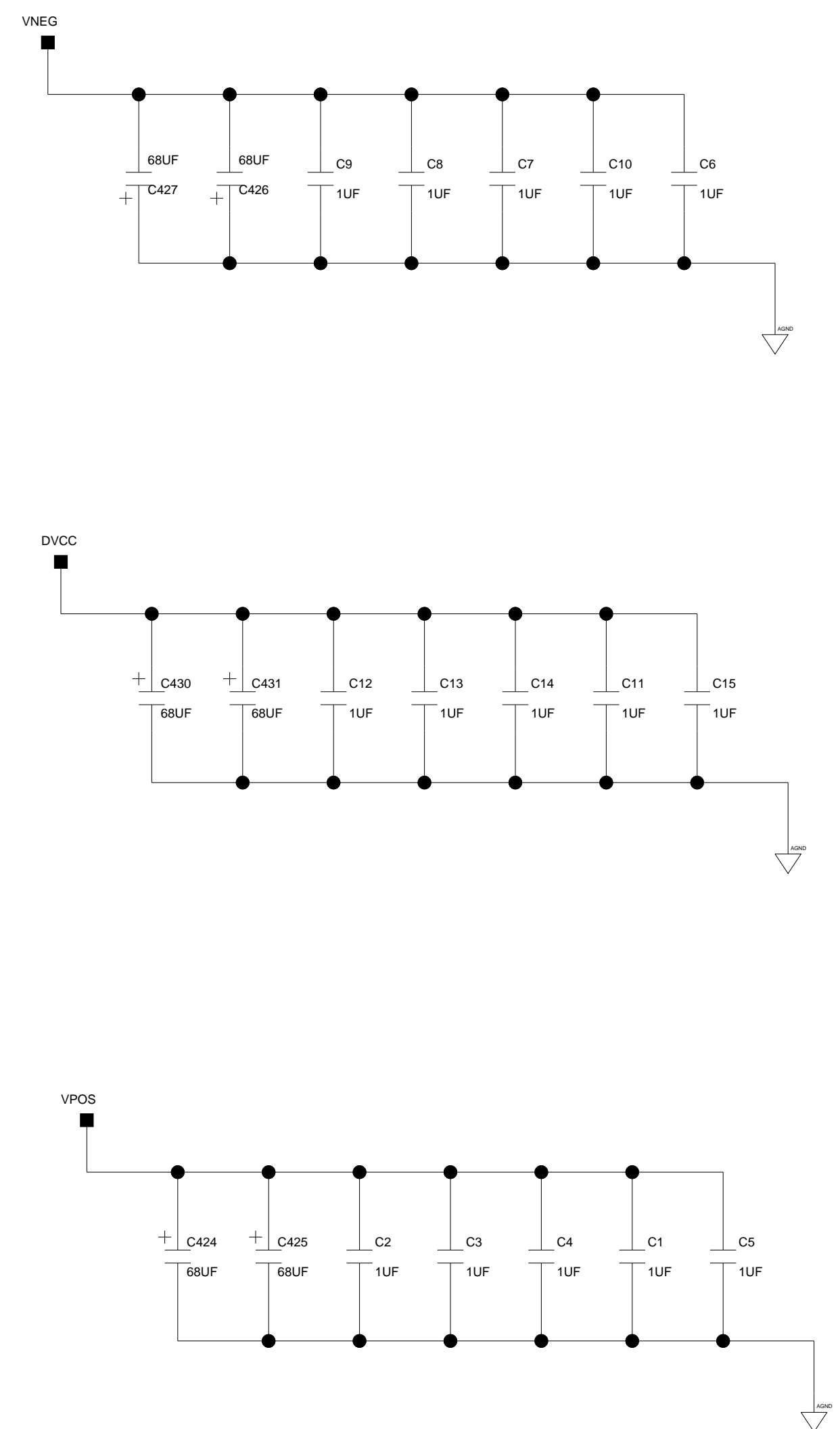
NATIONAL INSTRUMENTS CARD BUFFERING  
 Analog Devices Proprietary Information

	SIZE	FSCM NO	DRAWING NUMBER	REV
	D	NONE	02-A01862	B
DRAWN BY: JEFF COX APPR'D BY:	SCALE	NONE	DO NOT SCALE	SHEET OF 5
				6

# Cal Paths for Network Analyzer Calibration



## Agilent 6629 Power Supply



### POWER SUPPLIES

Analog Devices Proprietary Information

	SIZE	FSCM NO	DRAWING NUMBER	REV
	D		02-A01862	B
<small>DESIGNED BY</small> JEFF COX	<small>APPROVED BY</small>	SCALE	NONE	DO NOT SCALE
			SHEET OF 6	6