

4

3


2

1

REVISIONS

REV	DESCRIPTION	DATE	APPROVED
A	ORIGINATION		

This board will be made with Roger's 3003 with 10 mil dielectric  
 All high speed traces will be coplanar waveguides  
 This board needs to be 1mm thick.

PART NO	DESCRIPTION	REF DES	NOTES
HIGHEST REF DES USED	UNLESS OTHERWISE SPECIFIED DIMENSIONS ARE IN INCHES  TOLERANCES DECIMALS FRACTIONS ANGLES .XX +/- .010 --1/32 --2 .XXX +/- .005	SCHEMATIC	 804 WOBURN ST WILMINGTON, MA 01887
REF DES NOT USED	MATERIAL		
	FINISH	APPROVAL DATE TITLE DRAWN BY: GGD 04/15/04 DESIGNED BY: CHECKED: APPROVED BY: RFG ENGINEER:	ADN2821/80/82 ROSA EVALUATION BOARD  SIZE FSCM NO DRAWING NUMBER REV B NONE 02-009027 A
	DO NOT SCALE	SCALE NONE	SHEET 1 OF 3

4

3

2

1

D

C

B

A

D

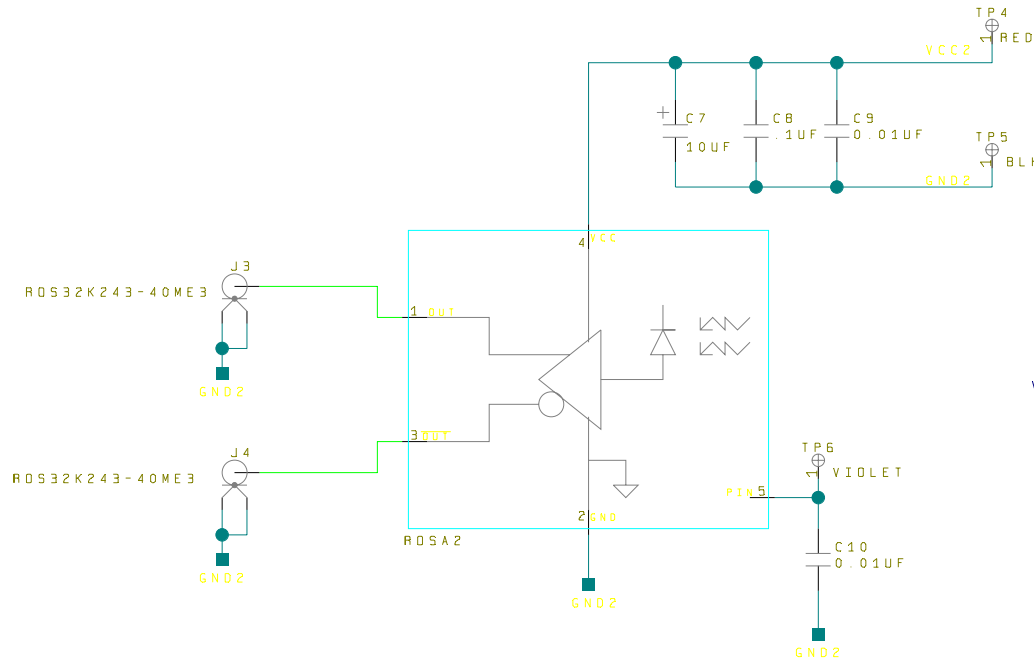
C

B

A



SEE SHEET ONE FOR REVISIONS



VCC2 & GND2 should be planes

ADN2821/80/82 ROSA EVAL BOARD W/ NO CAPS



804 WOBURN STREET  
WILMINGTON, MA 01887

DRAWN BY:

GGD

APPROVED BY:

SIZE	FSCM NO	DRAWING NUMBER	REV
B		02-009027	A
SCALE	NONE	DO NOT SCALE	SHEET 3 OF 3

#	PART NO	DESCRIPTION	VALUE	QTY	REFDES
1	A004-0027-001	BROADBAND SMD	100NF	2	C1-2
2	A004-0007-002	CAP TANT CHIP	10UF	2	C3,C7
3	A004-0008-020	CAP CER X7R SMD 0805	.1UF	2	C4,C8
4	A004-0005-114	CAP CER PPS SMD 0805	0.01UF	4	C5-6,C9-10
5	A012-0001-076	CONN-PCB RIGHT ANG JACK D	ROS32K243-40ME	4	J1-4
6				2	ROSA1-2
7	A012-0018-043	CONN-PCB TST PNT RED	RED	2	TP1,TP4
8	A012-0018-044	CONN-PCB TST PNT BLK	BLK	2	TP2,TP5
9	A012-0018-063	CONN-PCB TST PNT VIOLET	VIOLET	2	TP3,TP6

♀