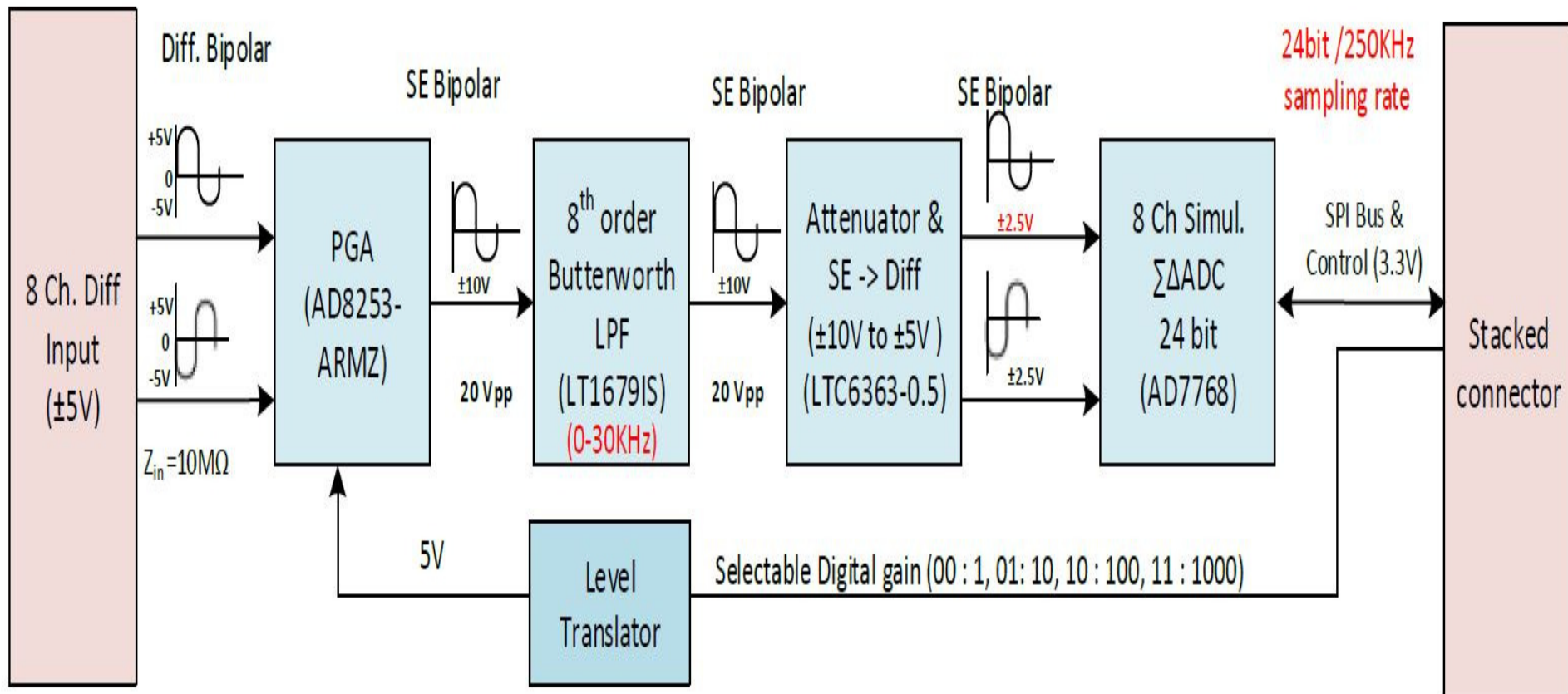


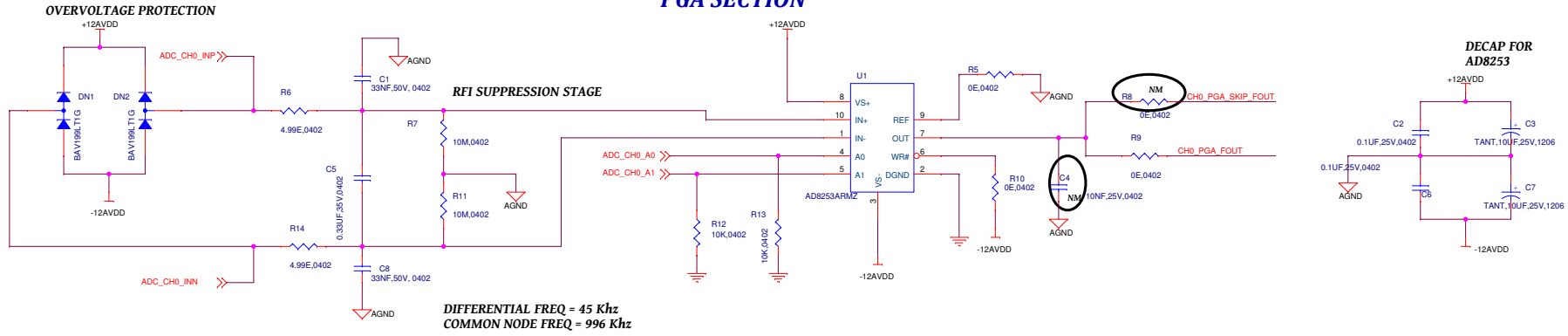
BLOCK DIAGRAM

Receiver Card – Analog Board

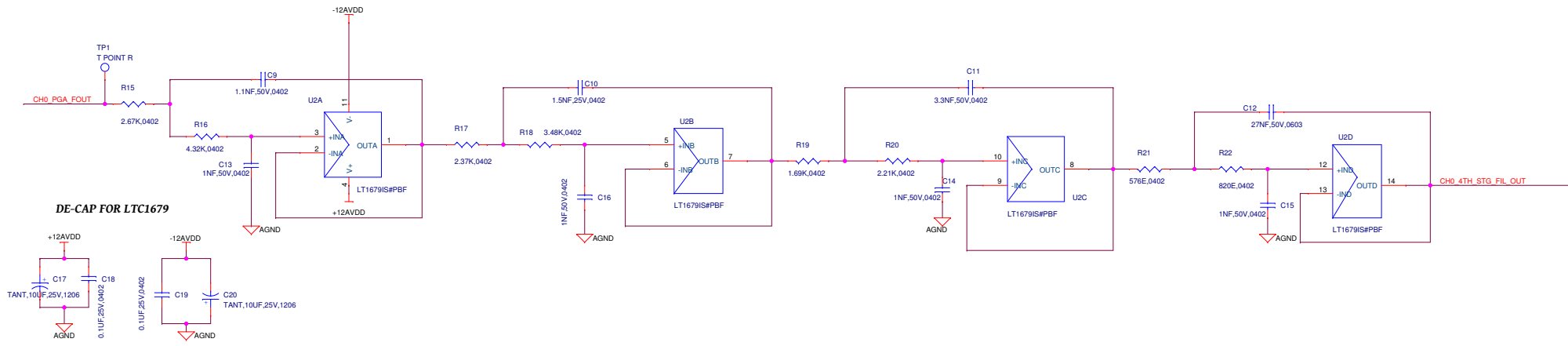


RECEIVER CHANNEL 0

PGA SECTION



8TH ORDER BUTTERWORTH LOW PASS FILTER: ALLOW 0 - 30Khz



ATTENUATION AND DIFFERENTIAL DRIVER FOR ADC

