

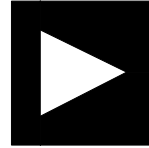
A

B

C

D

BLIP2 SCHEMATIC

		ANALOG DEVICES	20 Cotton Road Nashua, NH 03063 PH: 1-800-ANALOGD
Title		BLIP2	
Size C	Board No.	A0573-2013	Rev 2.1
Date	23/06/15	Sheet	1 of 11

A

B

C

D

1

1

2

2

3

3

4

4

1

2

3

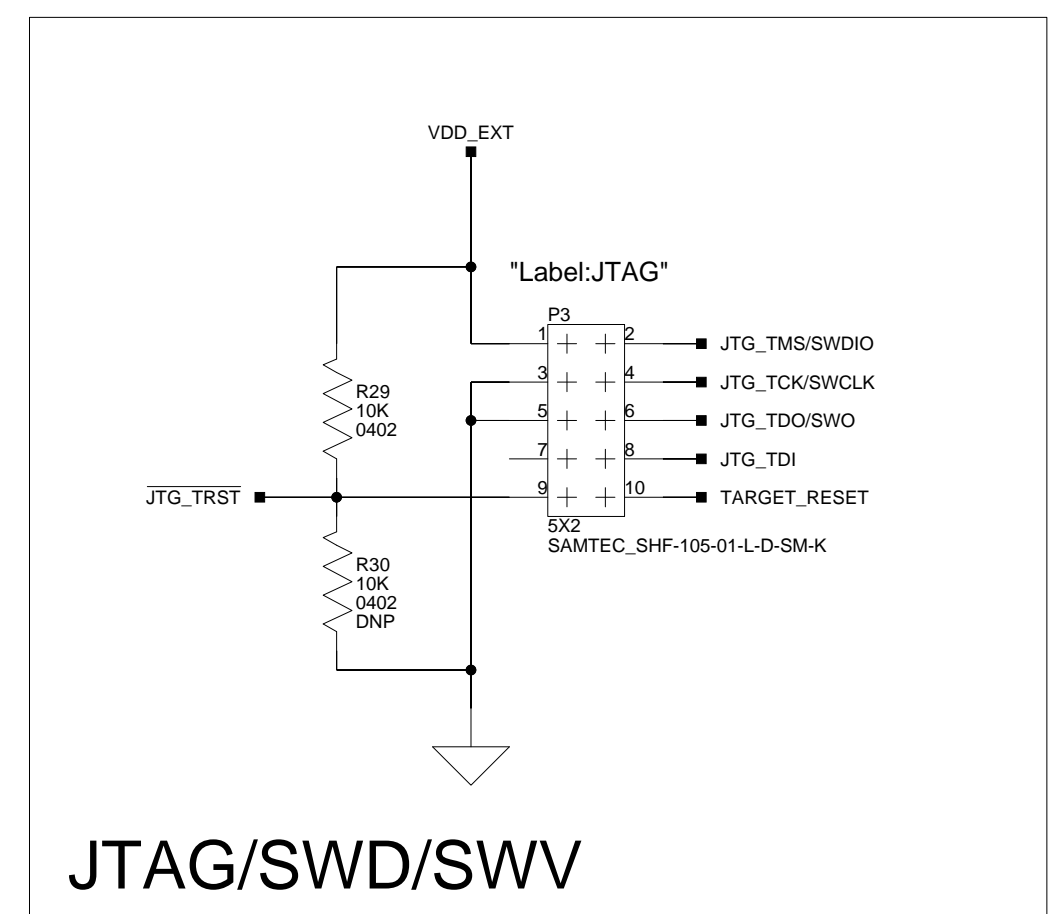
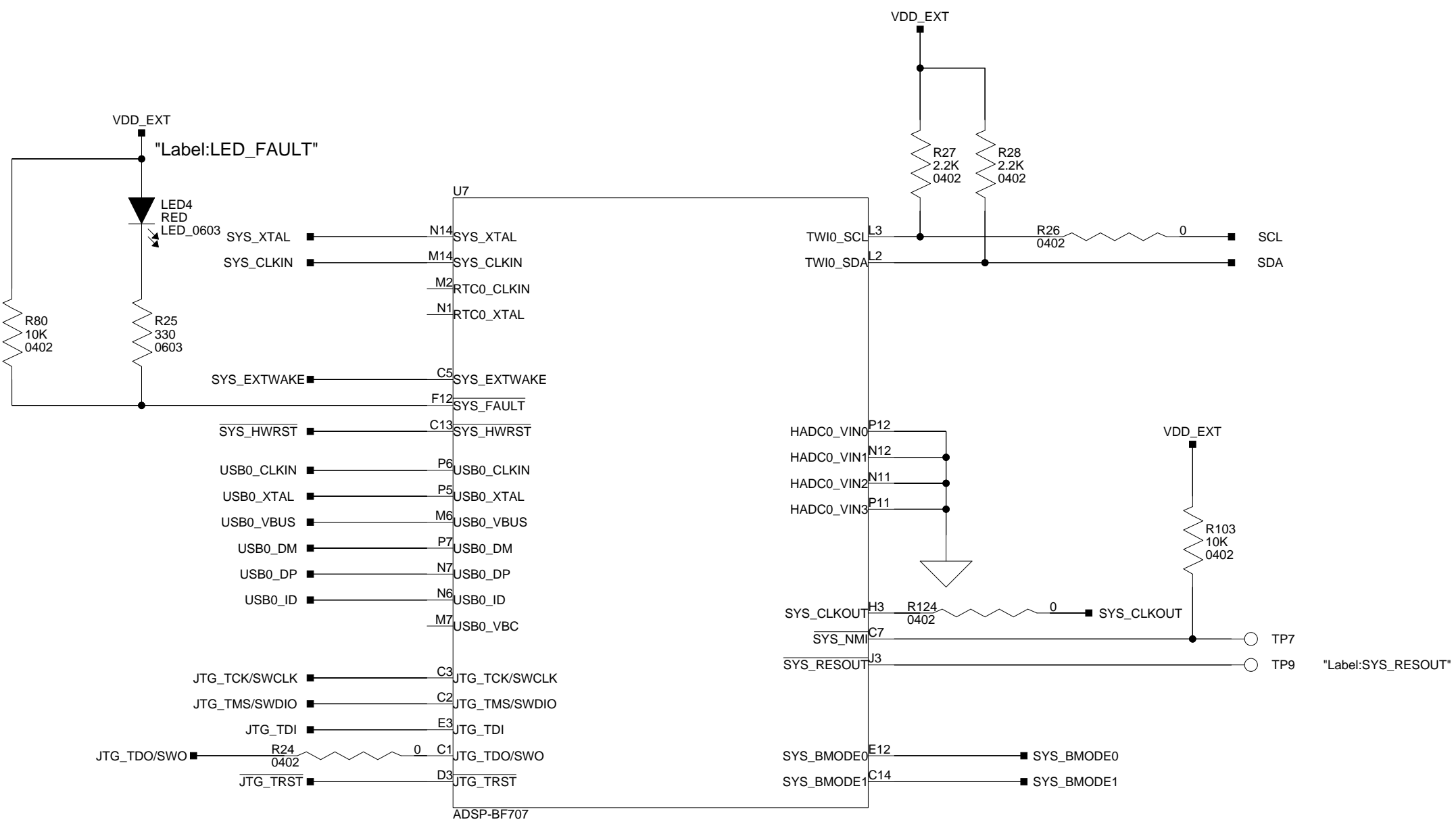
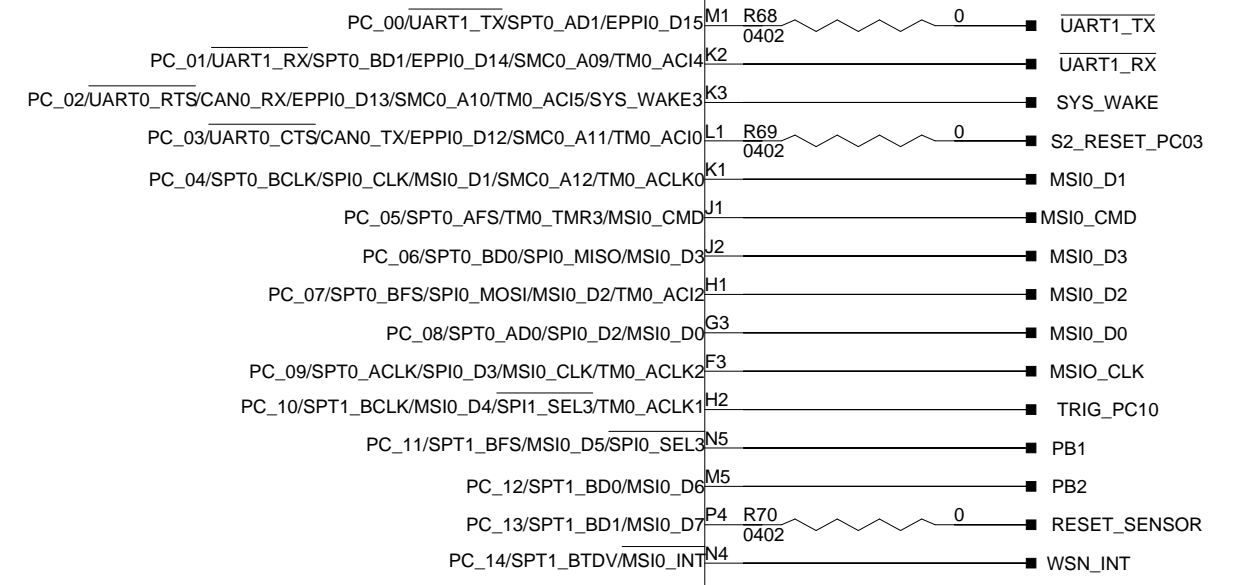
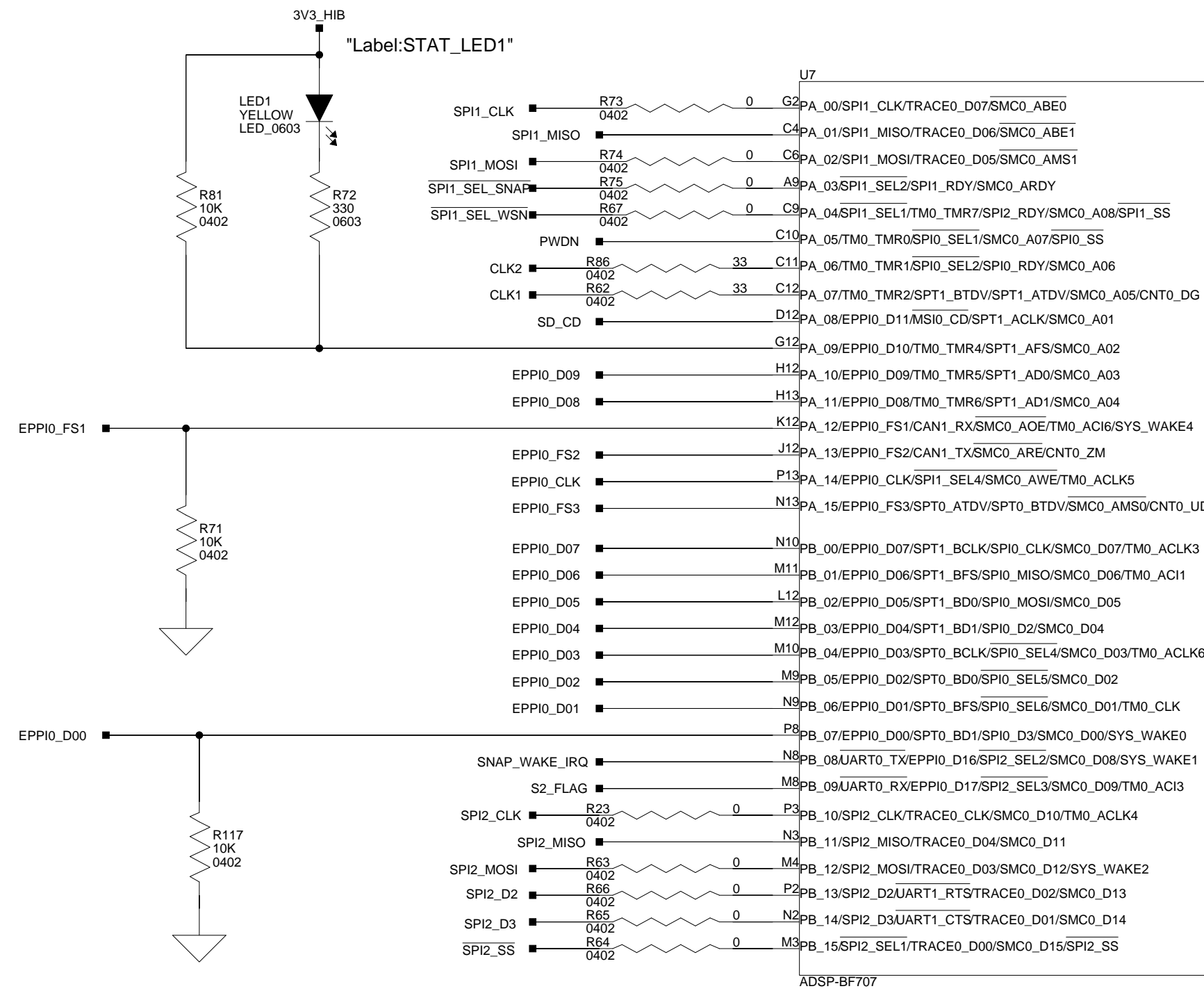
4

1

2

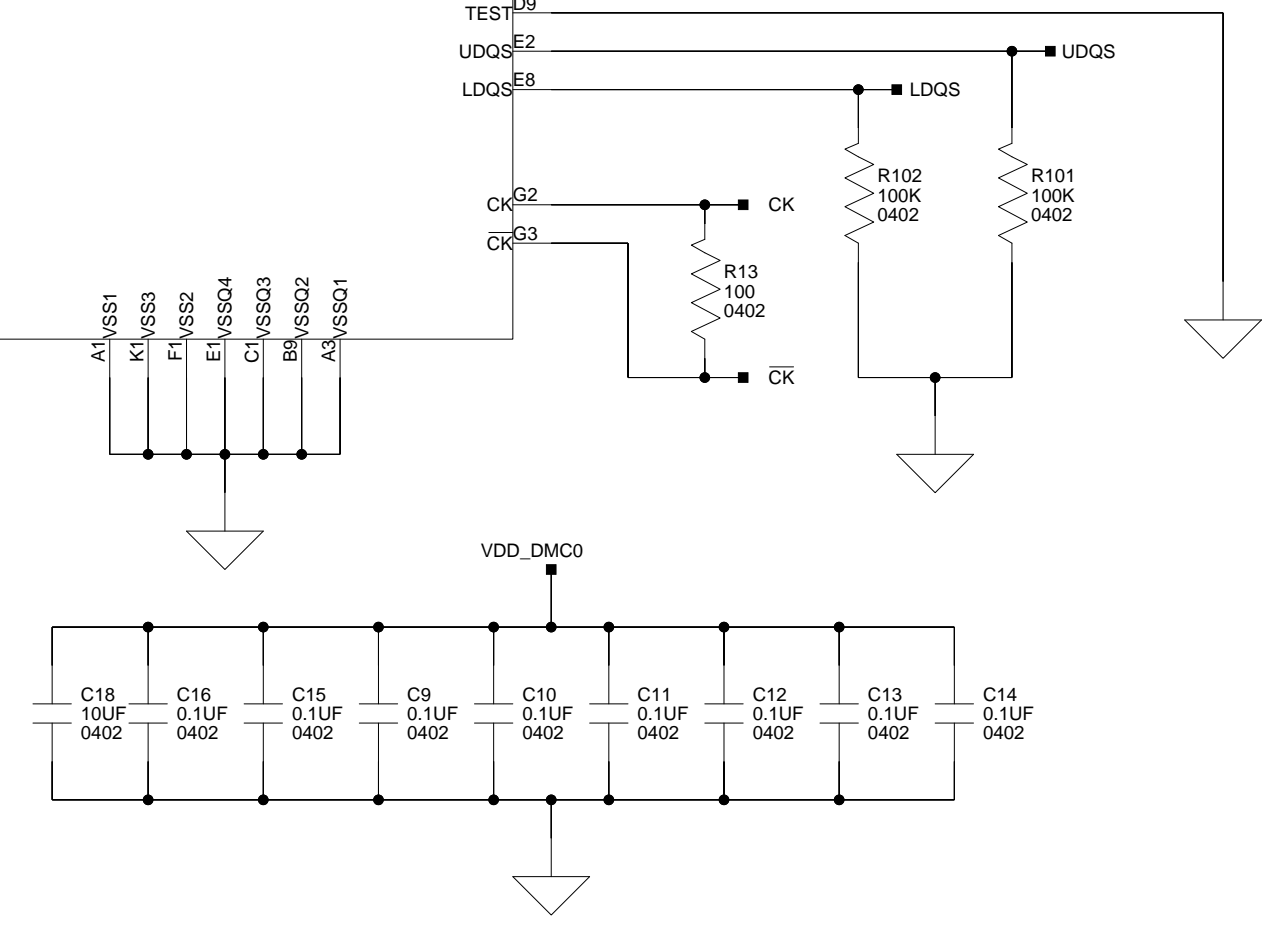
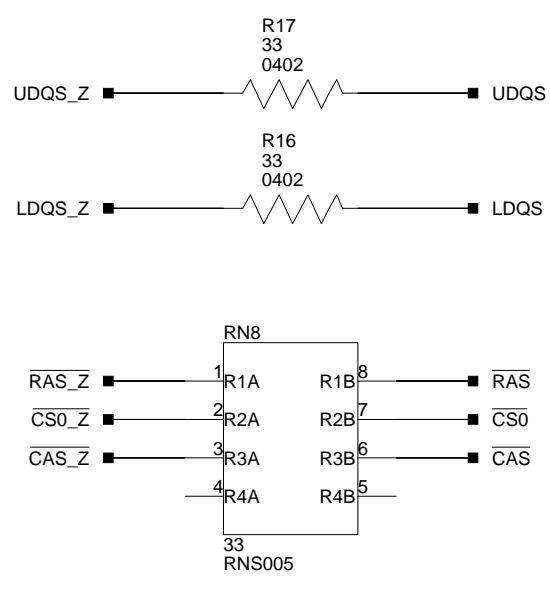
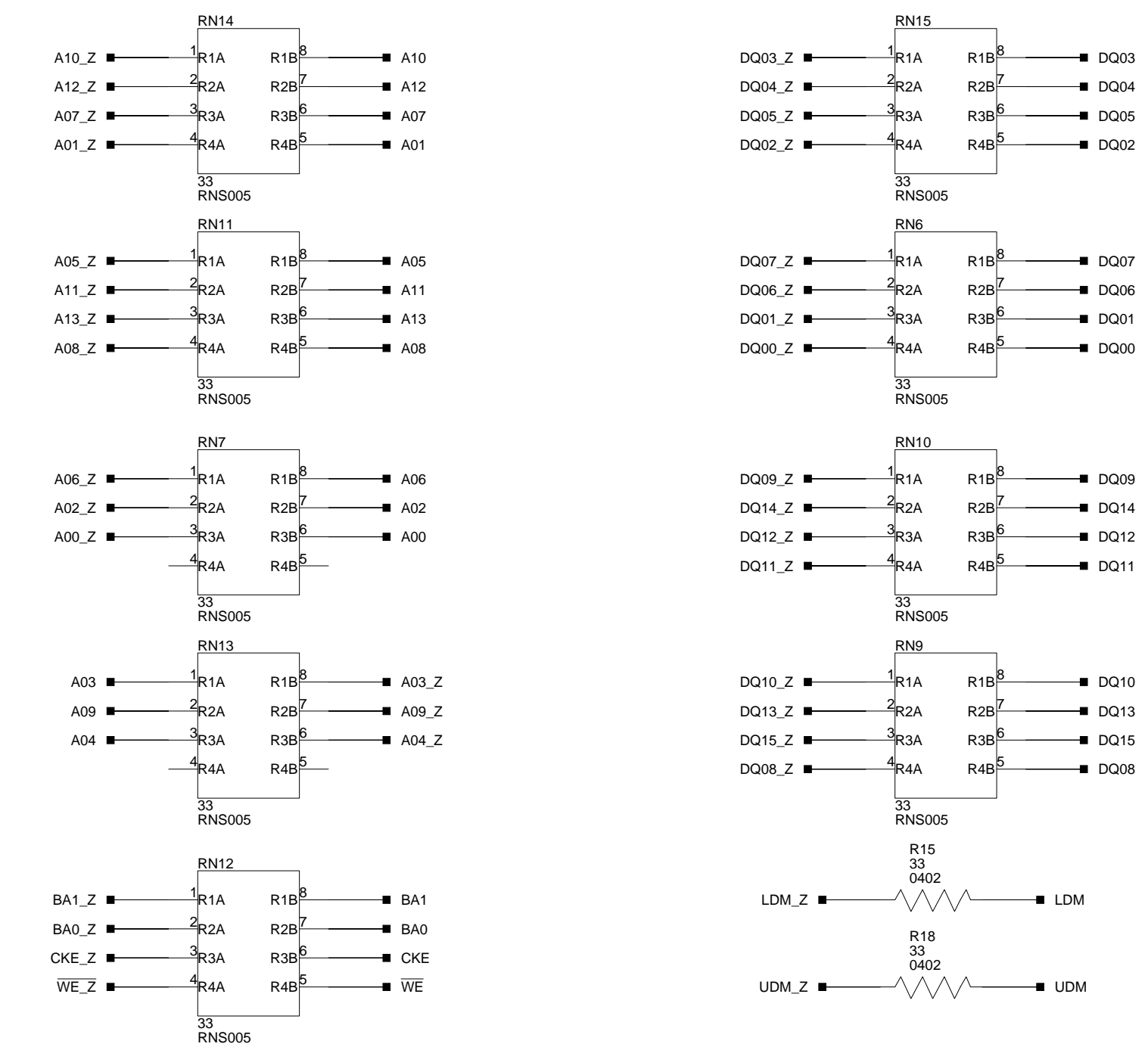
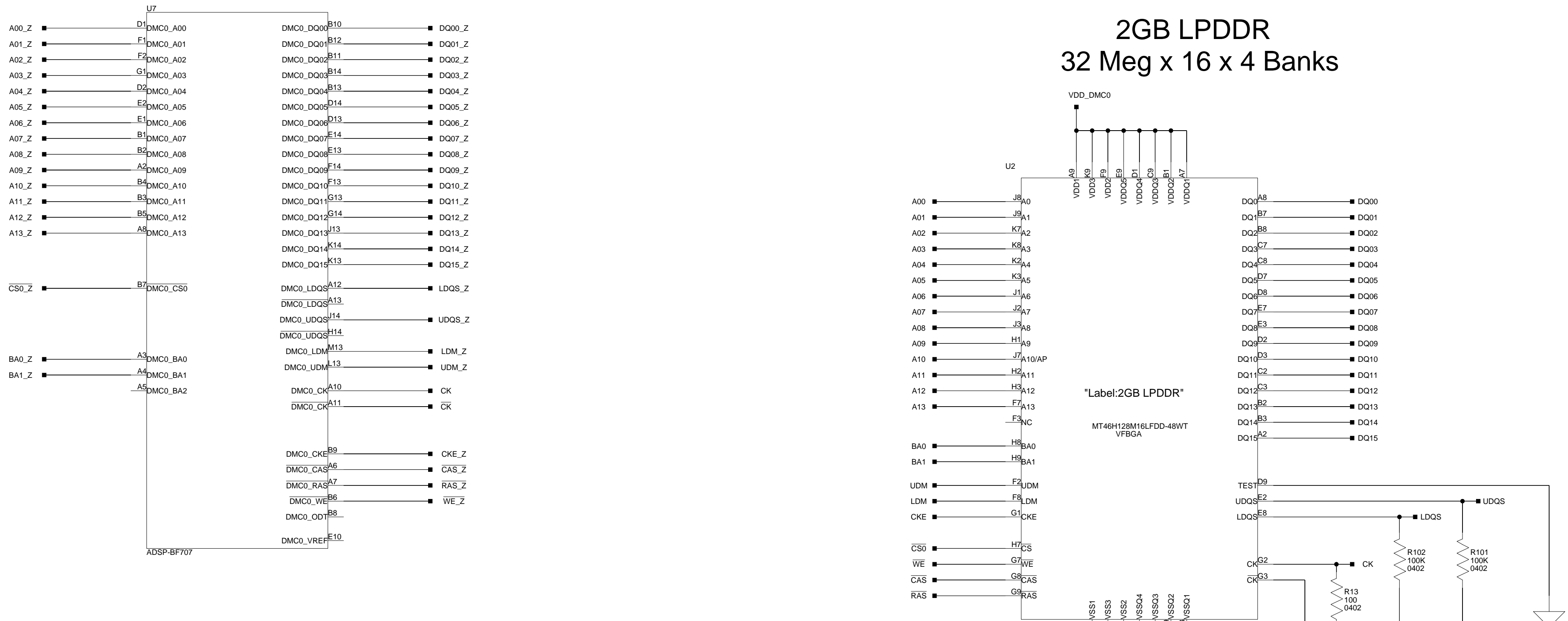
3

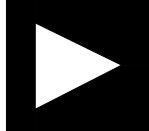
4

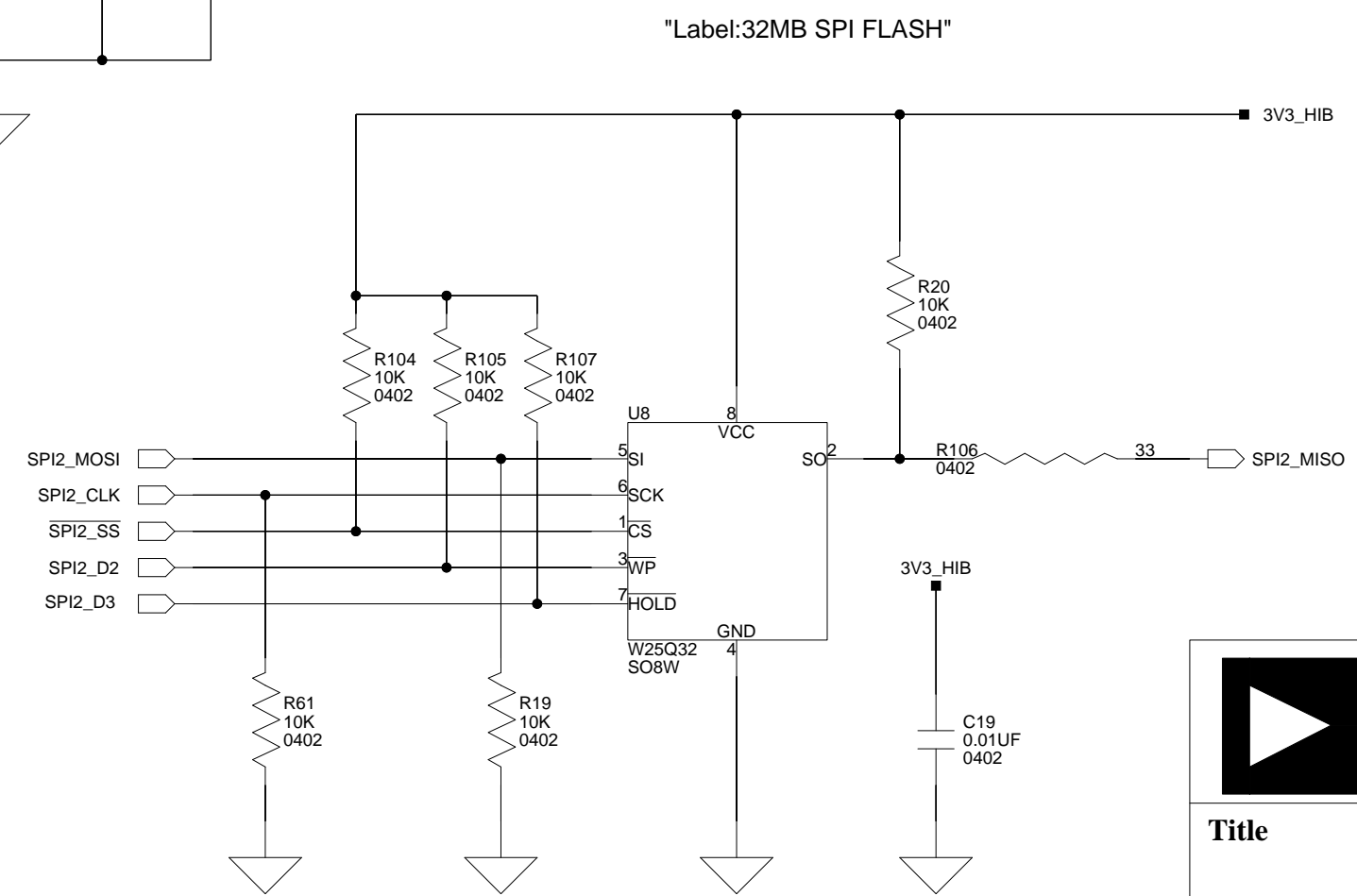
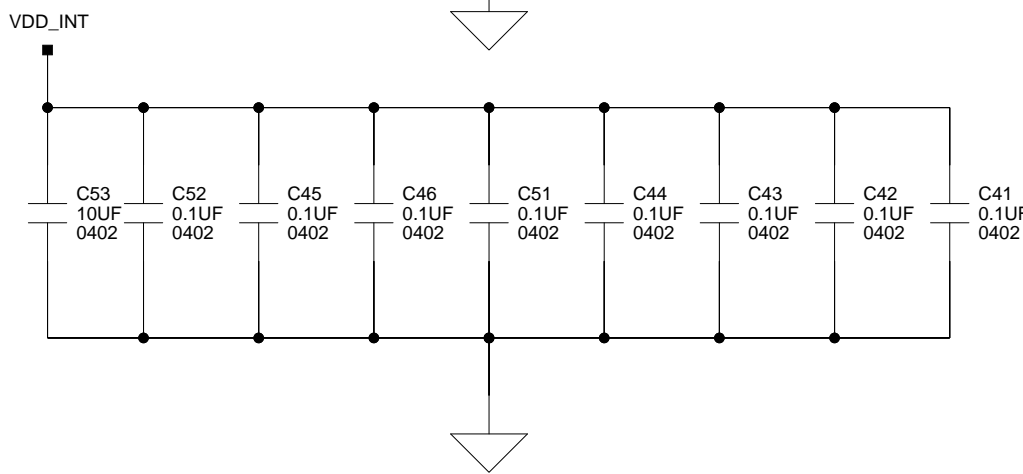
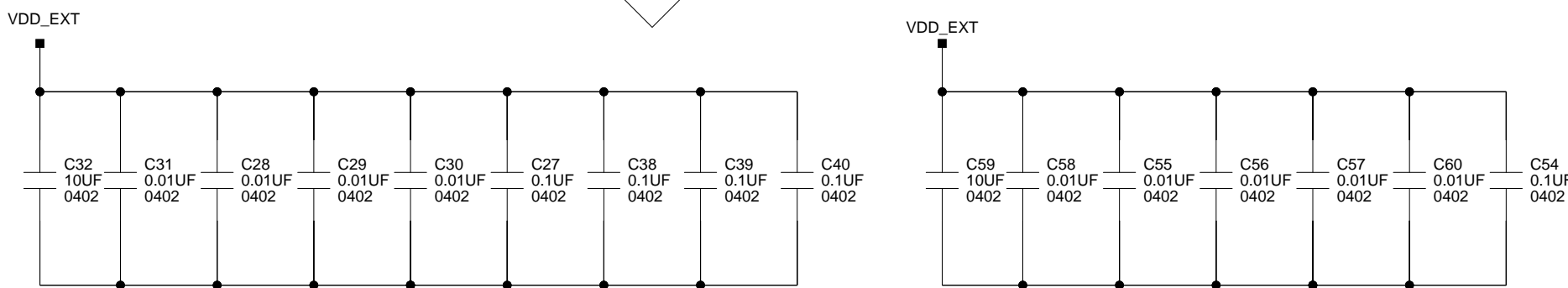
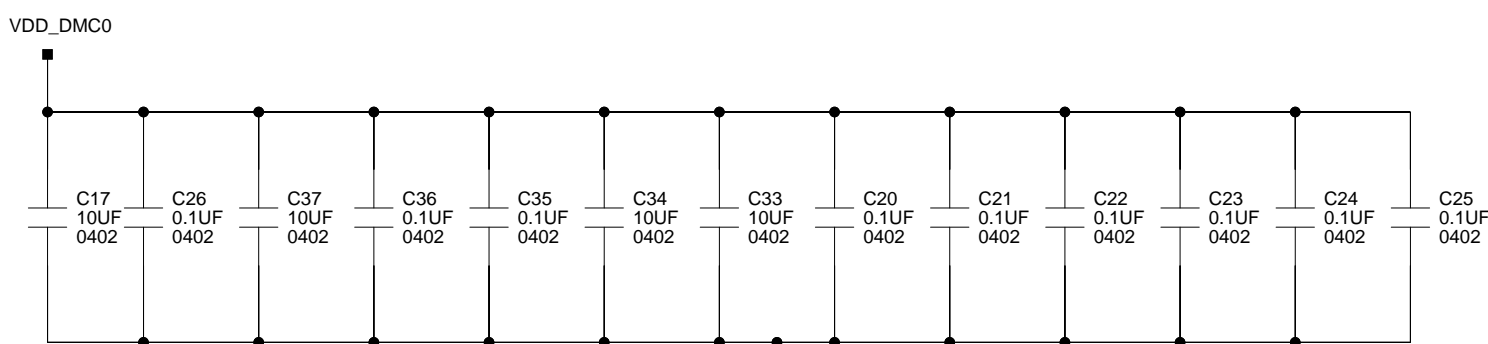
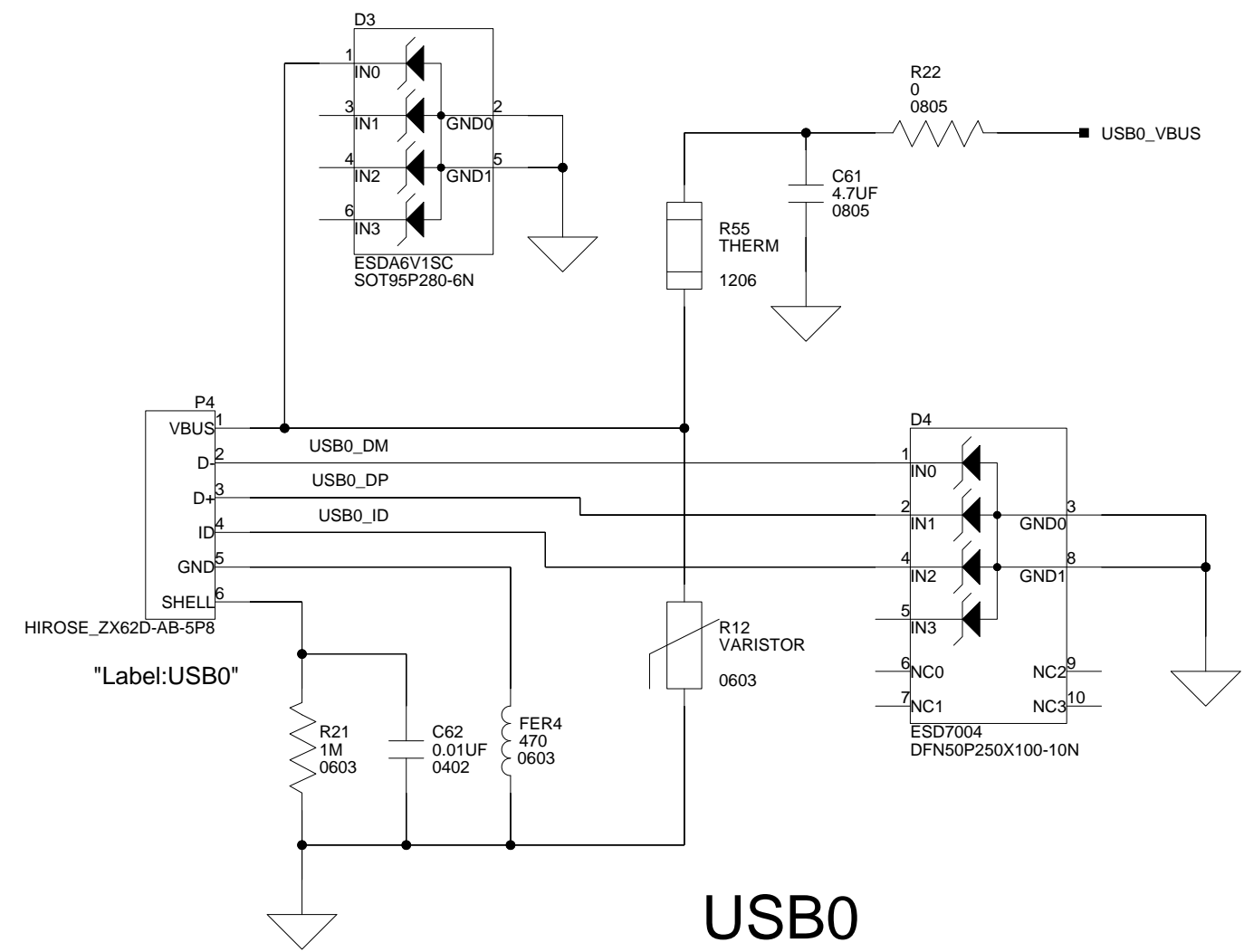
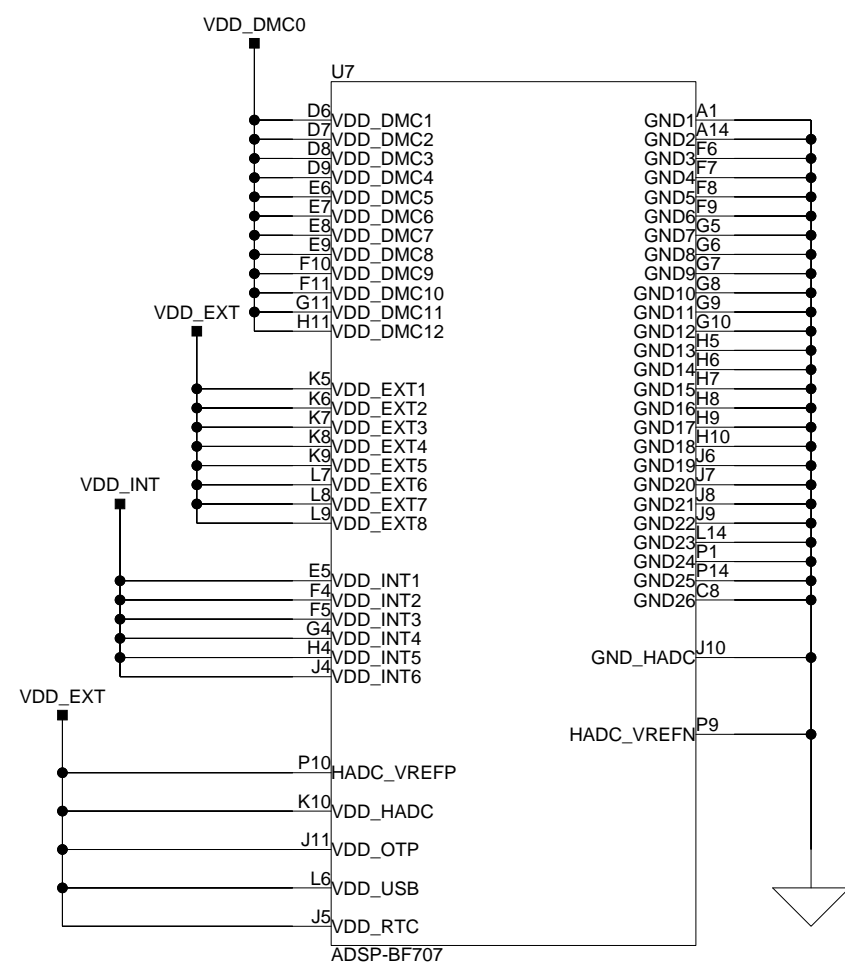


		20 Cotton Road Nashua, NH 03063 PH: 1-800-ANALOGD	
		Title BLIP2 DSP MEMORY, JTAG	
Size C	Board No. A0573-2013	Rev 2.1	
Date 23/06/15	Sheet 2 of 11		

2GB LPDDR 32 Meg x 16 x 4 Banks



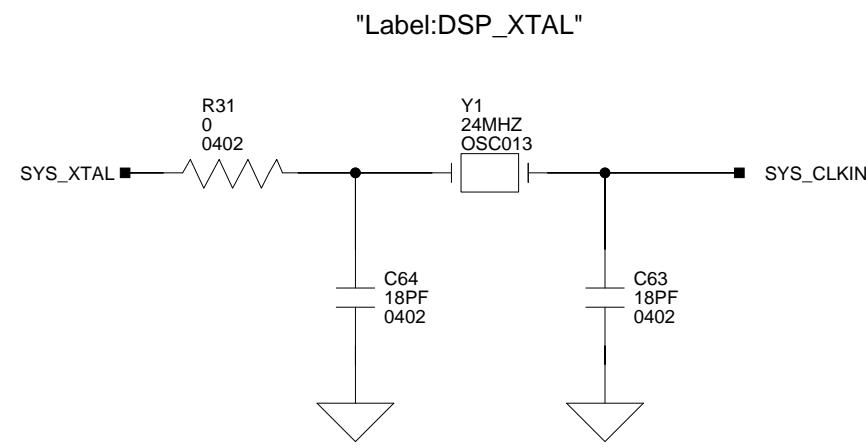
 ANALOG DEVICES		20 Cotton Road Nashua, NH 03063 PH: 1-800-ANALOGD	
		Title BLIP2 DSP SIGNAL,LPDDR MEMORY	
Size C	Board No. A0573-2013	Rev 2.1	
Date	23/06/15	Sheet 3	of 11



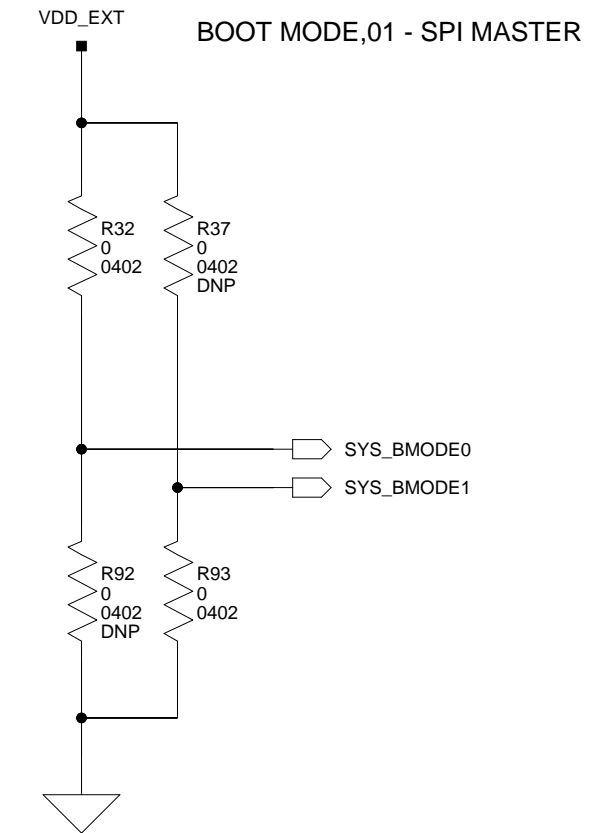
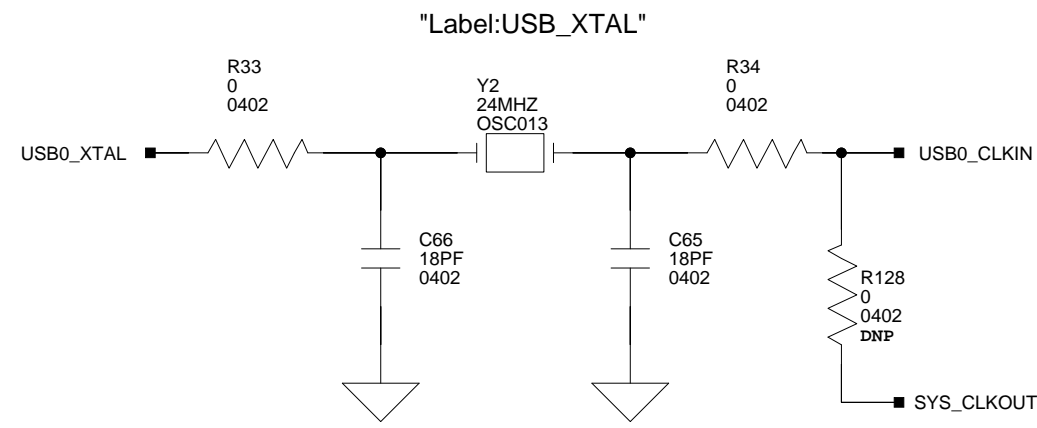
32MB SPI FLASH

		20 Cotton Road Nashua, NH 03063 PH: 1-800-ANALOGD	
		Title BLIP2 DSP-POWER, USB, SPI FLASH	
Size C	Board No. A0573-2013	Rev 2.1	
Date 23/06/15	Sheet 4		of 11

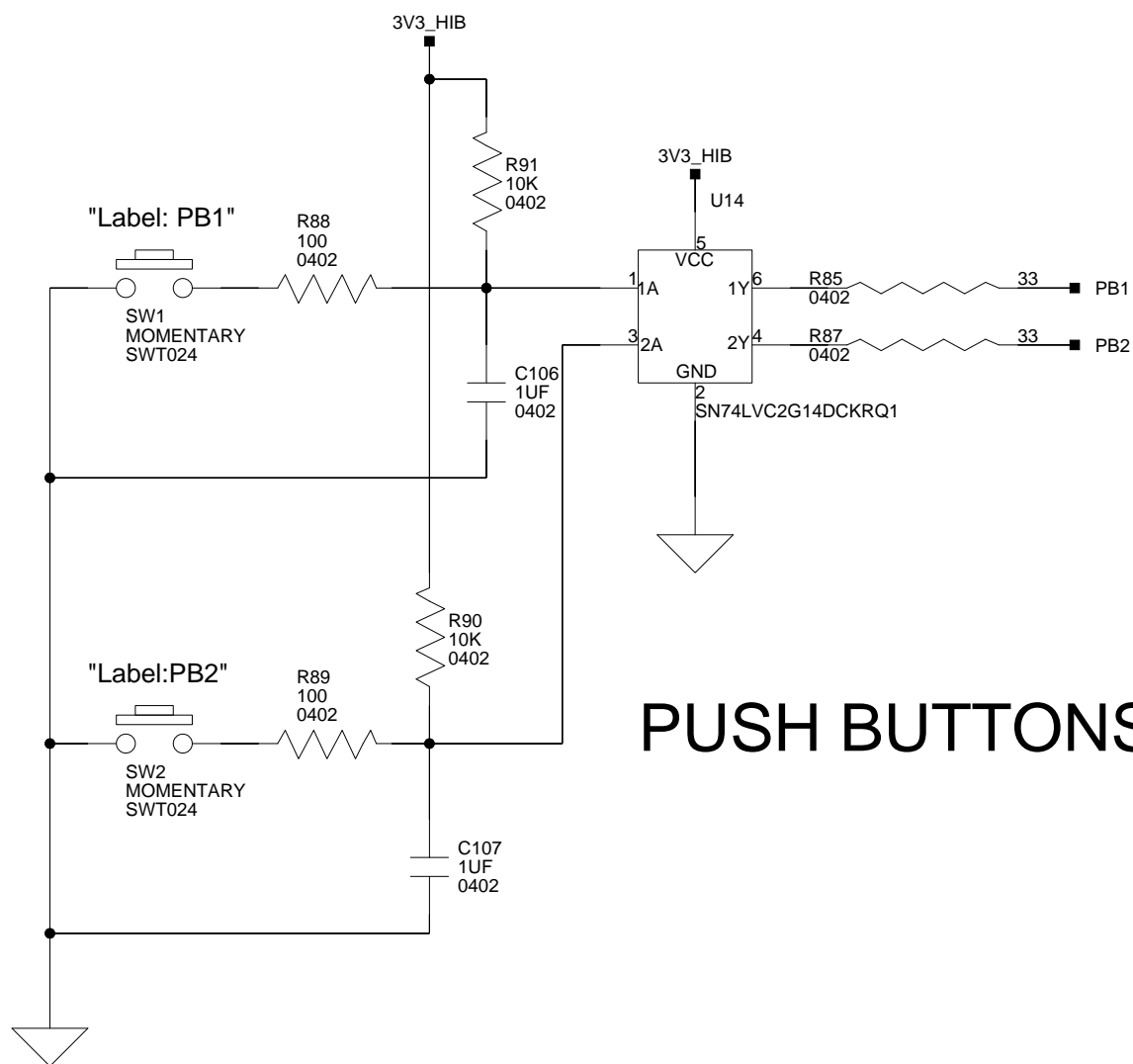
DSP_XTAL



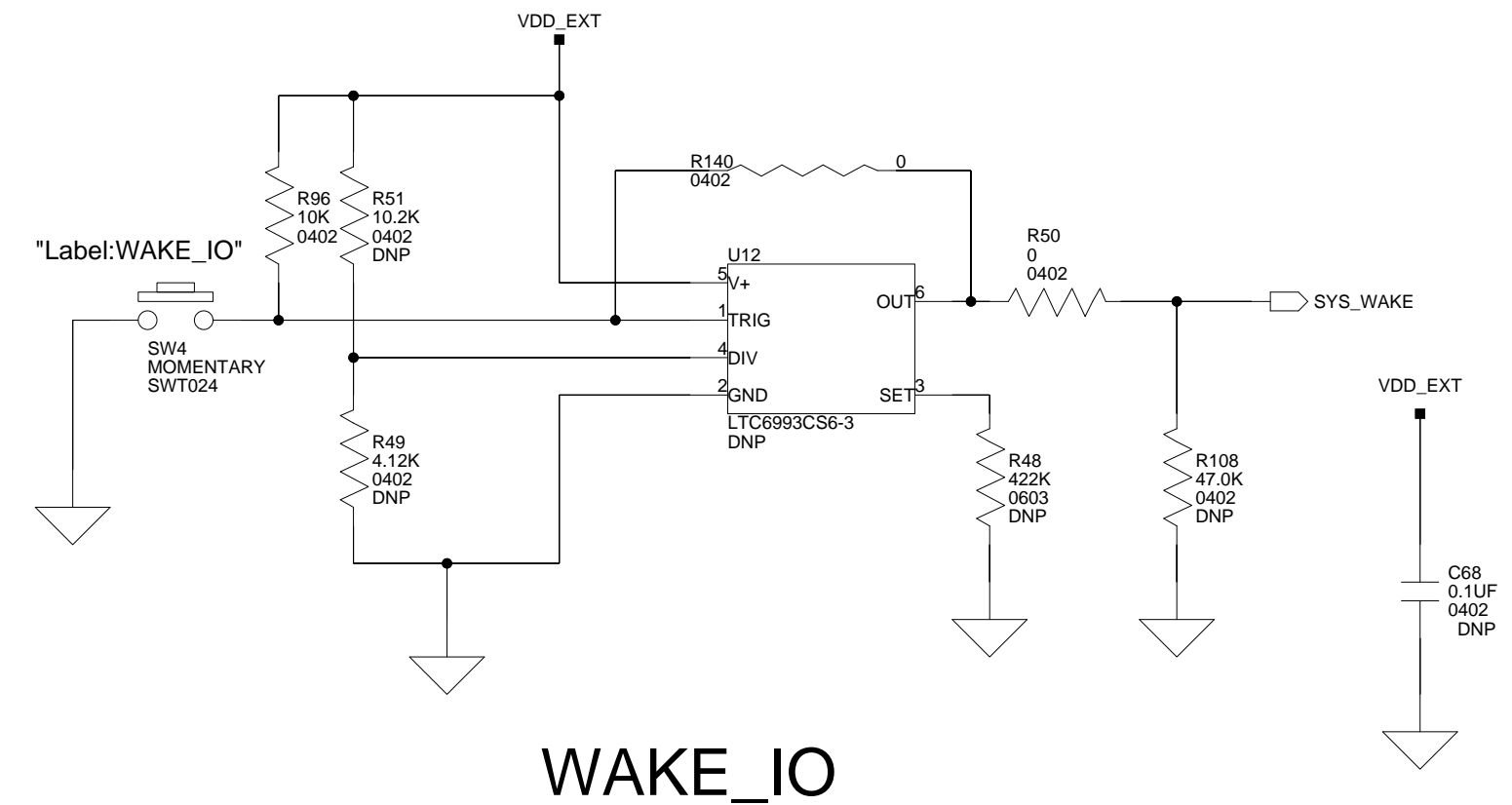
USB_XTAL



"Label: PB1"

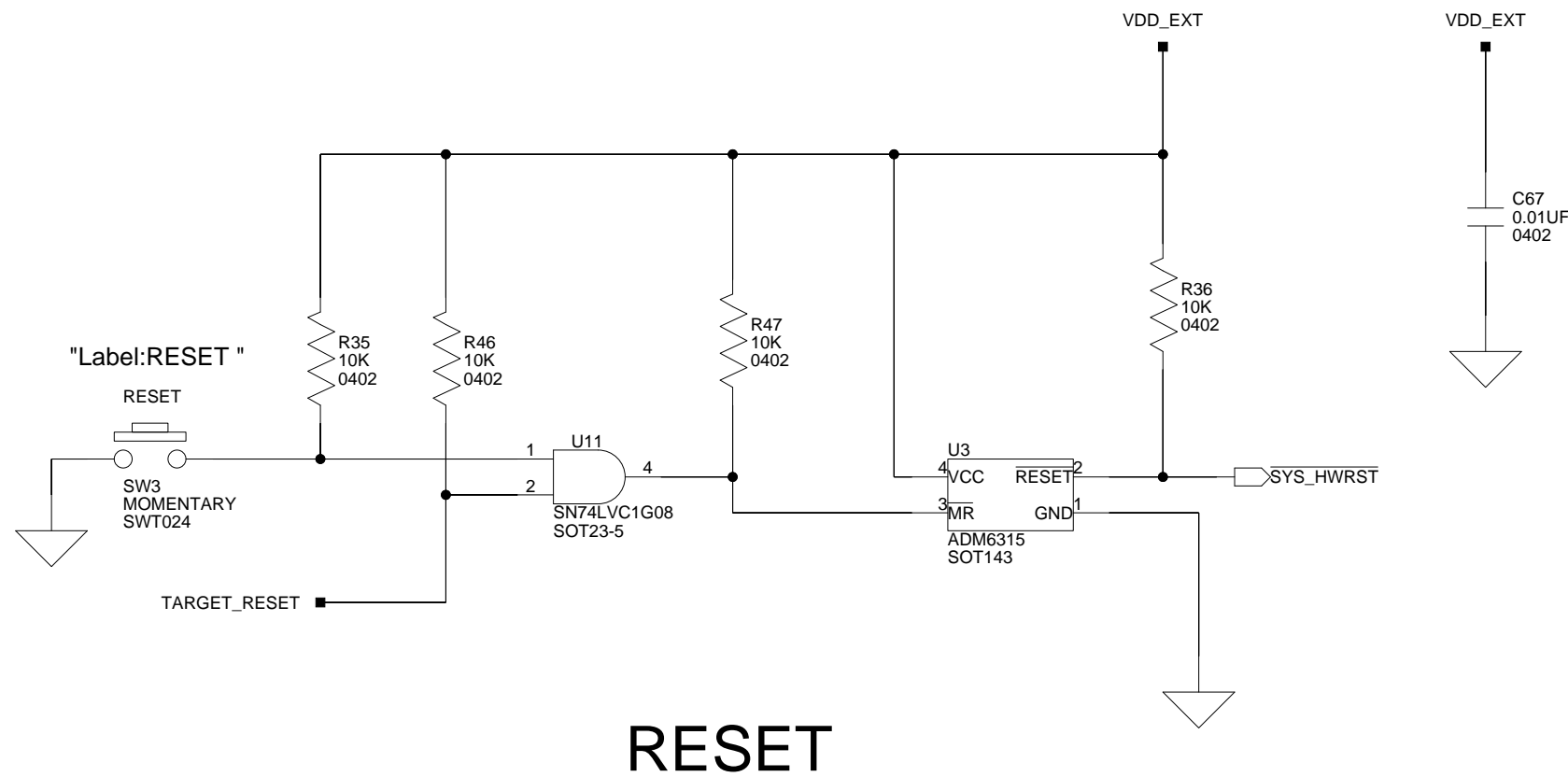


PUSH BUTTONS

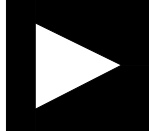


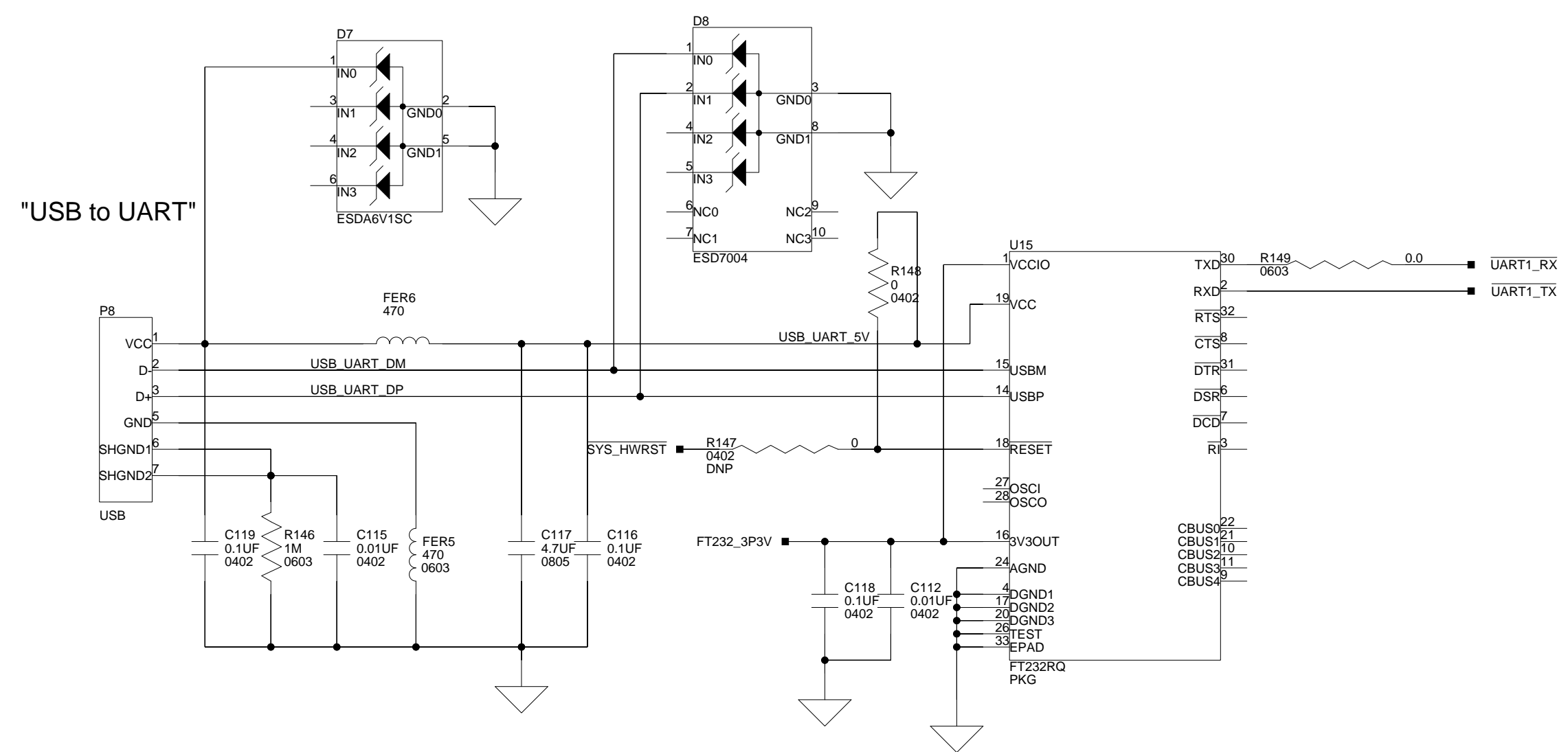
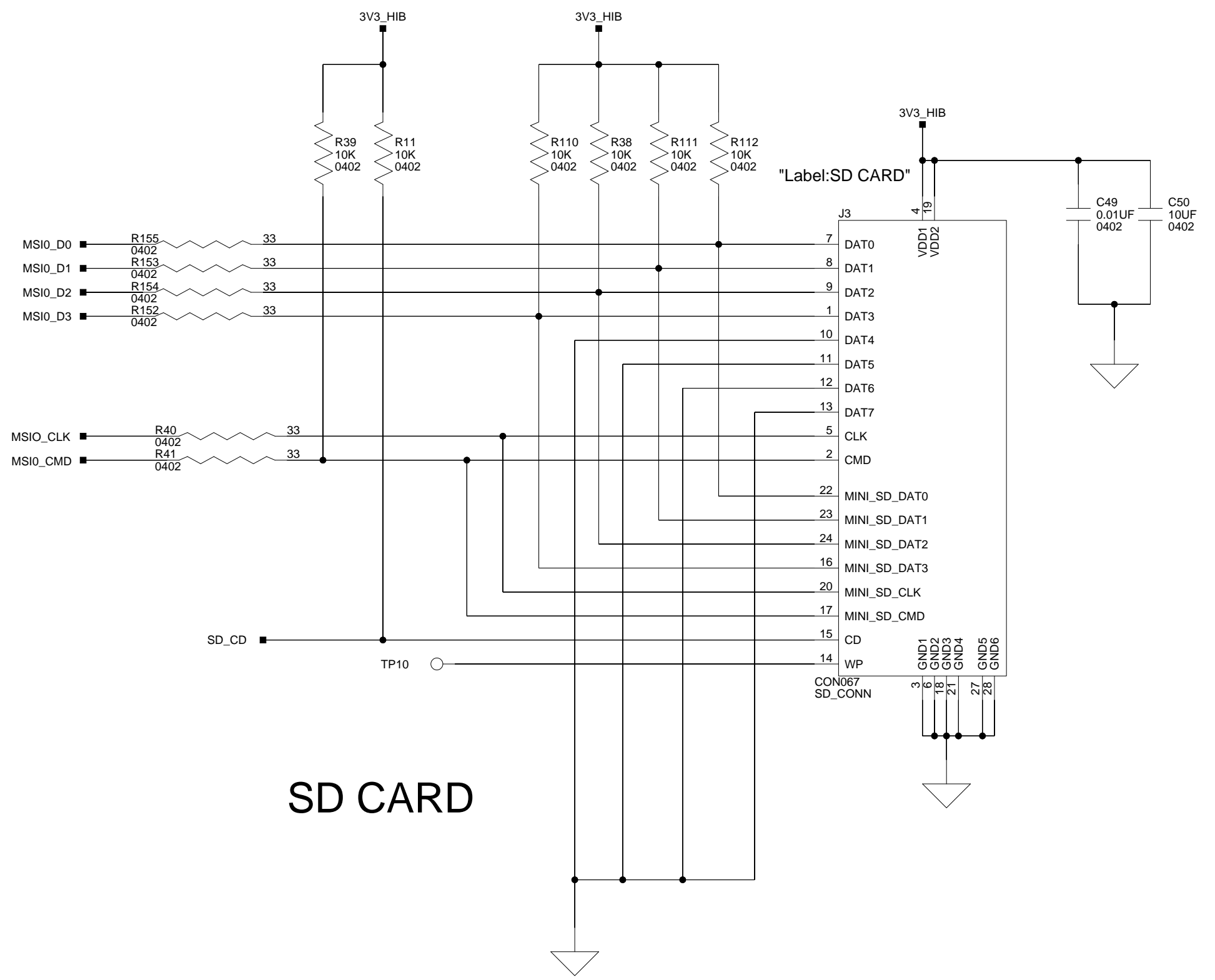
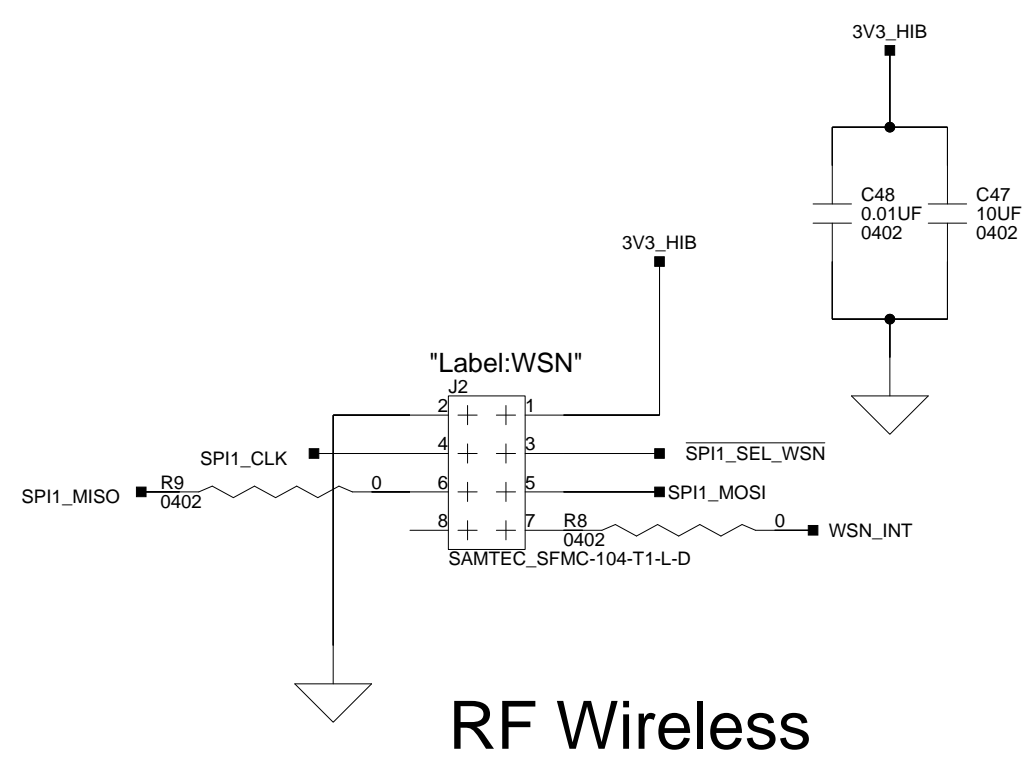
WAKE_IO

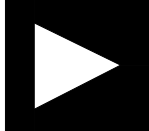
"Label:RESET "

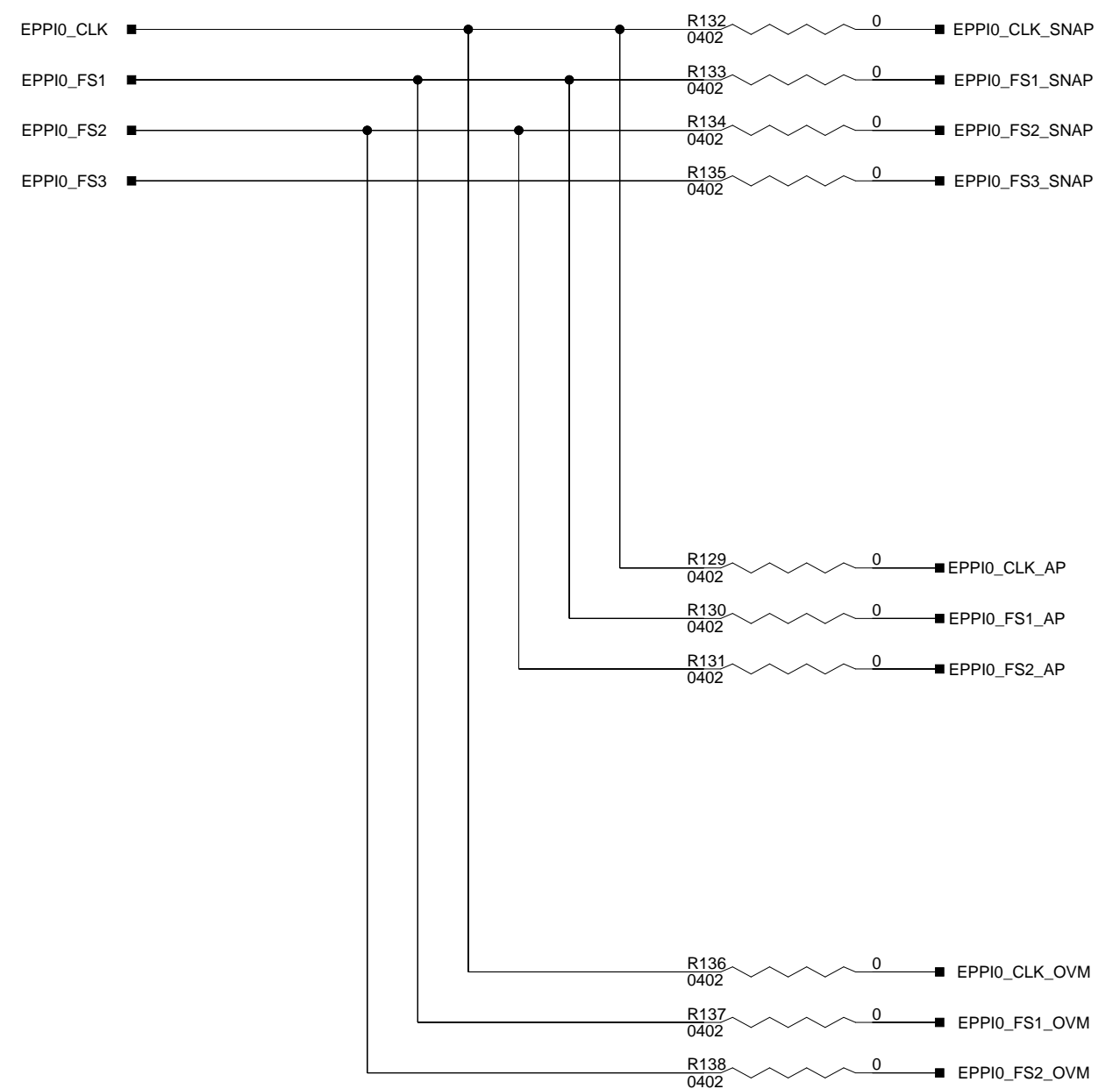
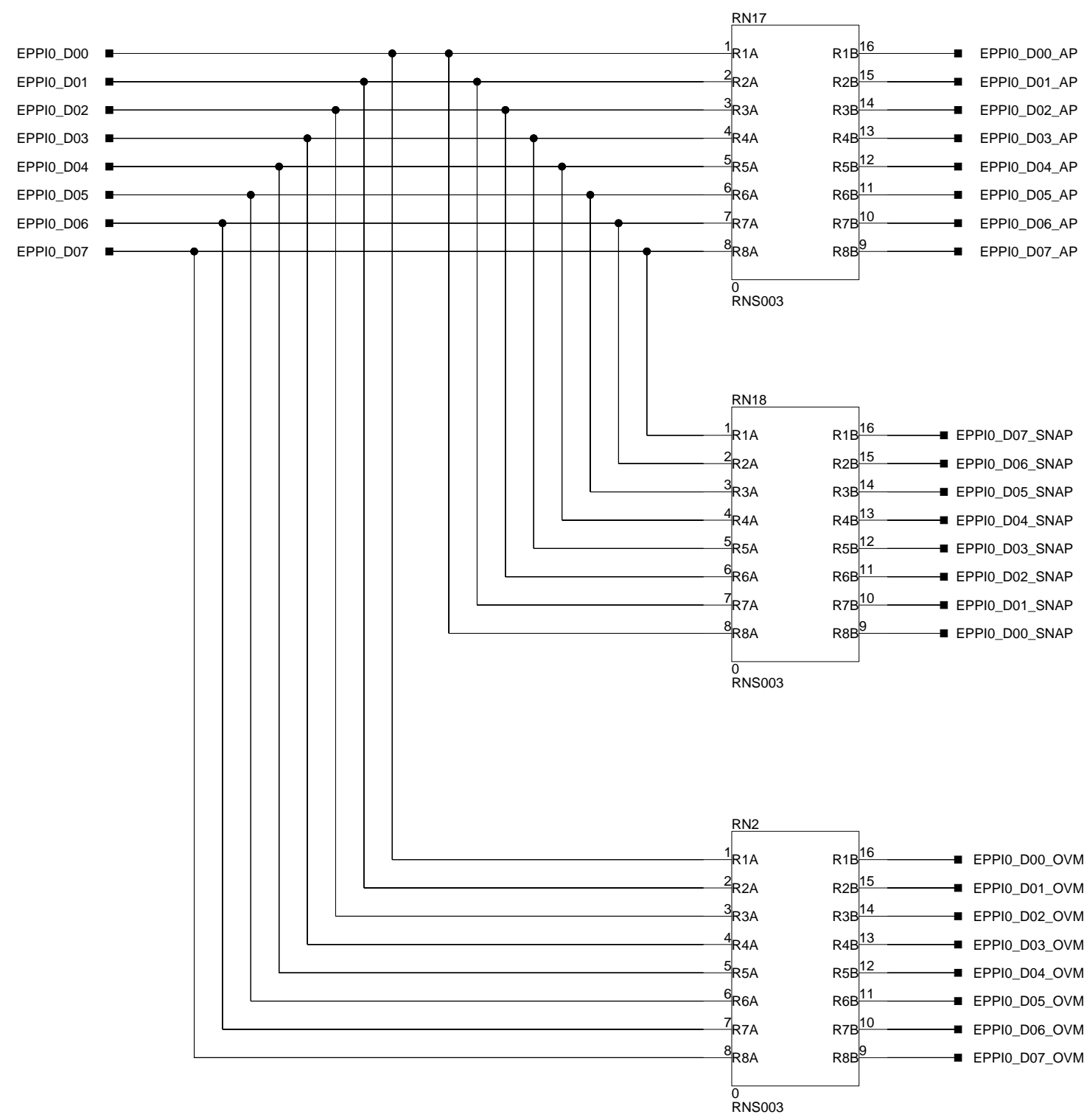


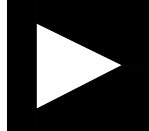
RESET

 ANALOG DEVICES		20 Cotton Road Nashua, NH 03063 PH: 1-800-ANALOGD	
		Title BLIP2 RESET,BOOT CNFG,XTAL,PUSH BOTTON AND WAKE IO	
Size C	Board No.	A0573-2013	Rev 2.1
Date	23/06/15	Sheet 5	of 11



 ANALOG DEVICES		20 Cotton Road Nashua, NH 03063 PH: 1-800-ANALOGD	
		Title BLIP2 USB TO UART,WSN,SD CARD INTERFACE	
Size C	Board No. A0573-2013	Rev 2.1	
Date 23/06/15	Sheet 6 of 11		



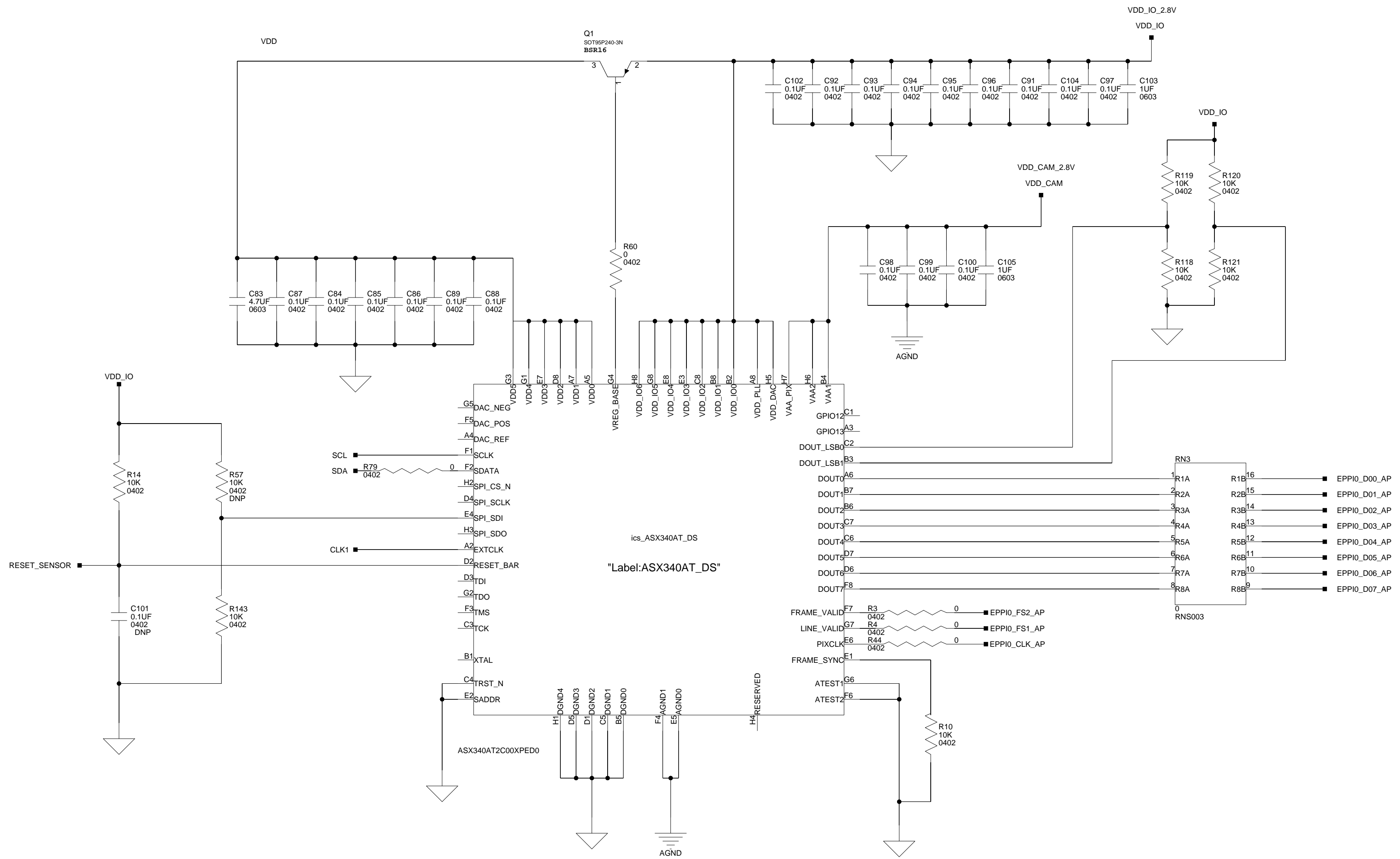
 ANALOG DEVICES		20 Cotton Road Nashua, NH 03063 PH: 1-800-ANALOGD	
		Title BLIP2 RESISTOR PACKS	
Size C	Board No. A0573-2013	Rev 2.1	
Date 23/06/15	Sheet 7 of 11		

A

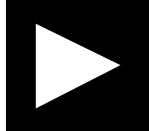
B

C

D



ASX340AT_DS-CMOS SENSOR

 ANALOG DEVICES		20 Cotton Road Nashua, NH 03063 PH: 1-800-ANALOGD	
		Title BLIP2 IMAGE SENSOR	
Size C	Board No. A0573-2013	Rev 2.1	
Date 23/06/15	Sheet 8 of 11		

A

B

C

D

1

1

2

2

3

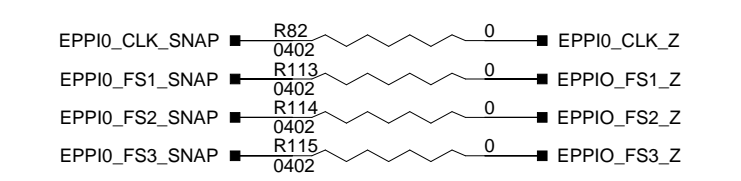
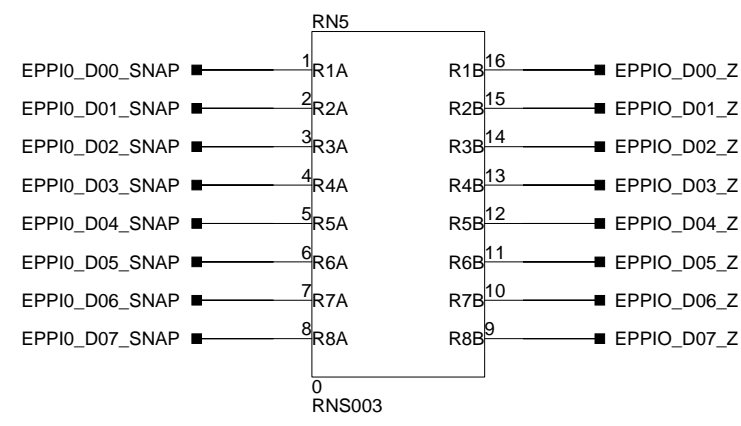
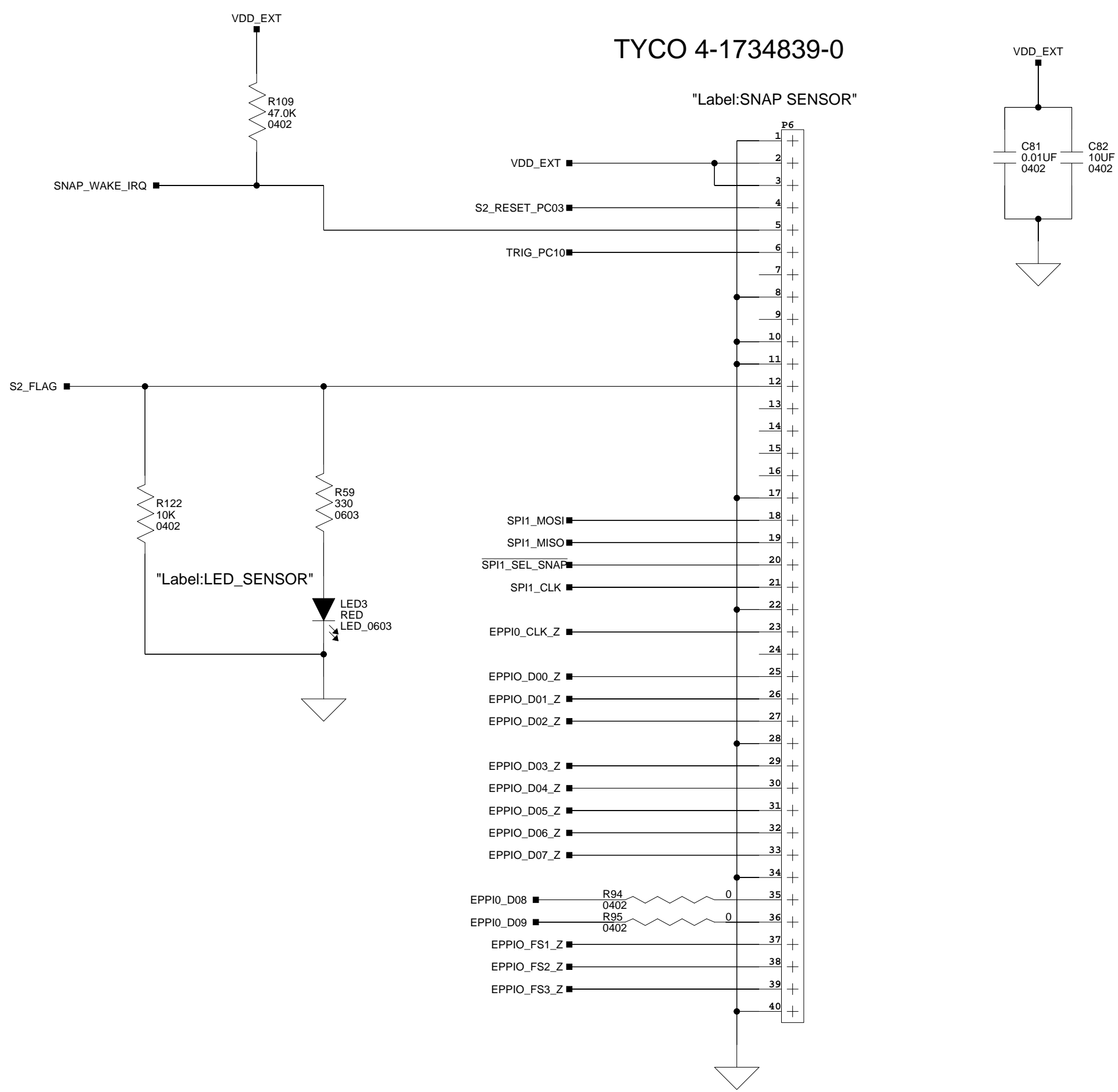
3

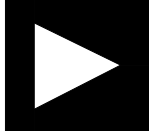
4

4

TYCO 4-1734839-0

"Label:SNAP SENSOR"



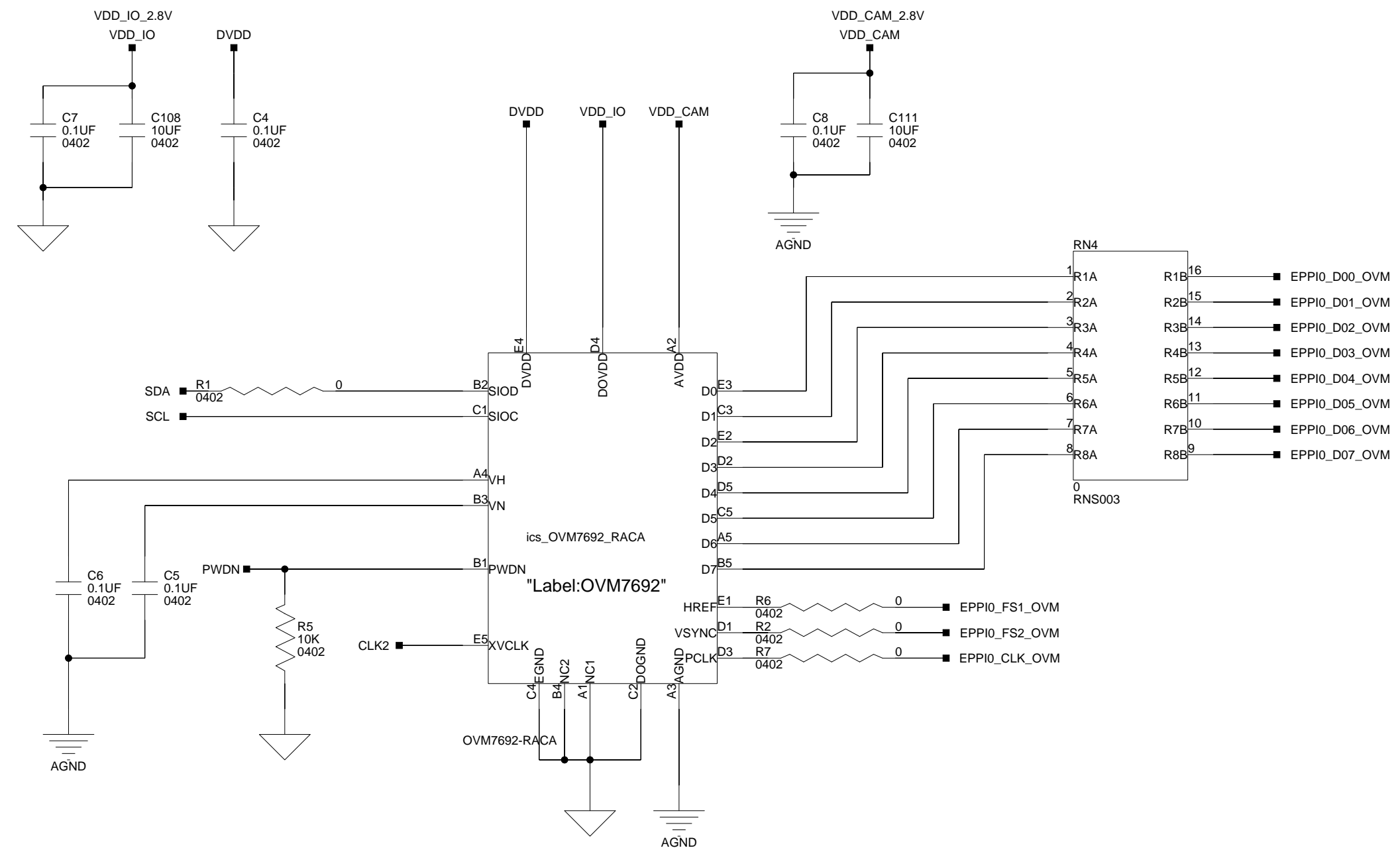
 ANALOG DEVICES		20 Cotton Road Nashua, NH 03063 PH: 1-800-ANALOGD	
		Title BLIP2 SNAP CONNECTOR	
Size C	Board No. A0573-2013	Rev 2.1	
Date 23/06/15	Sheet 9		of 11

A

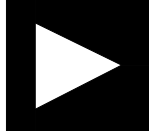
B

C

D



OVM7692-CMOS SENSOR

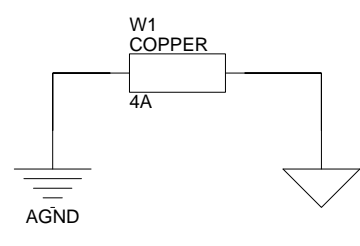
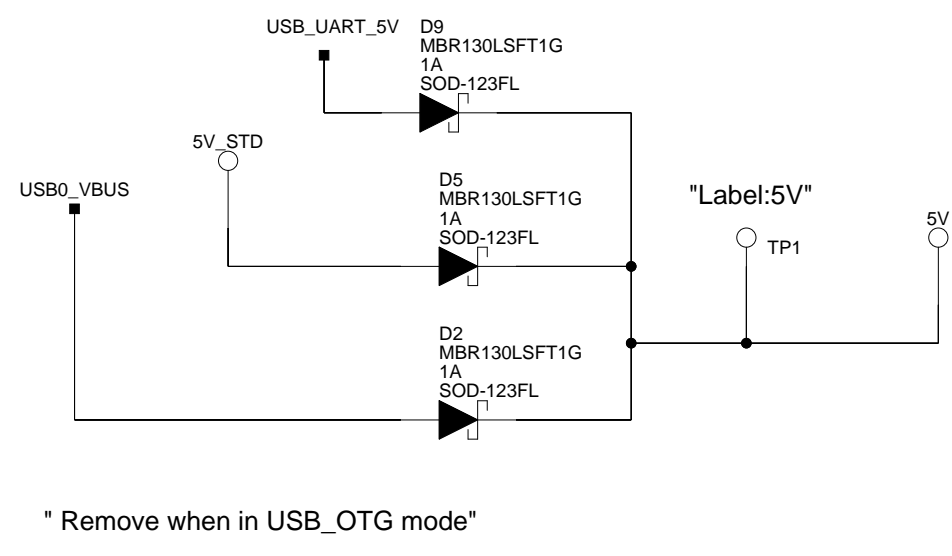
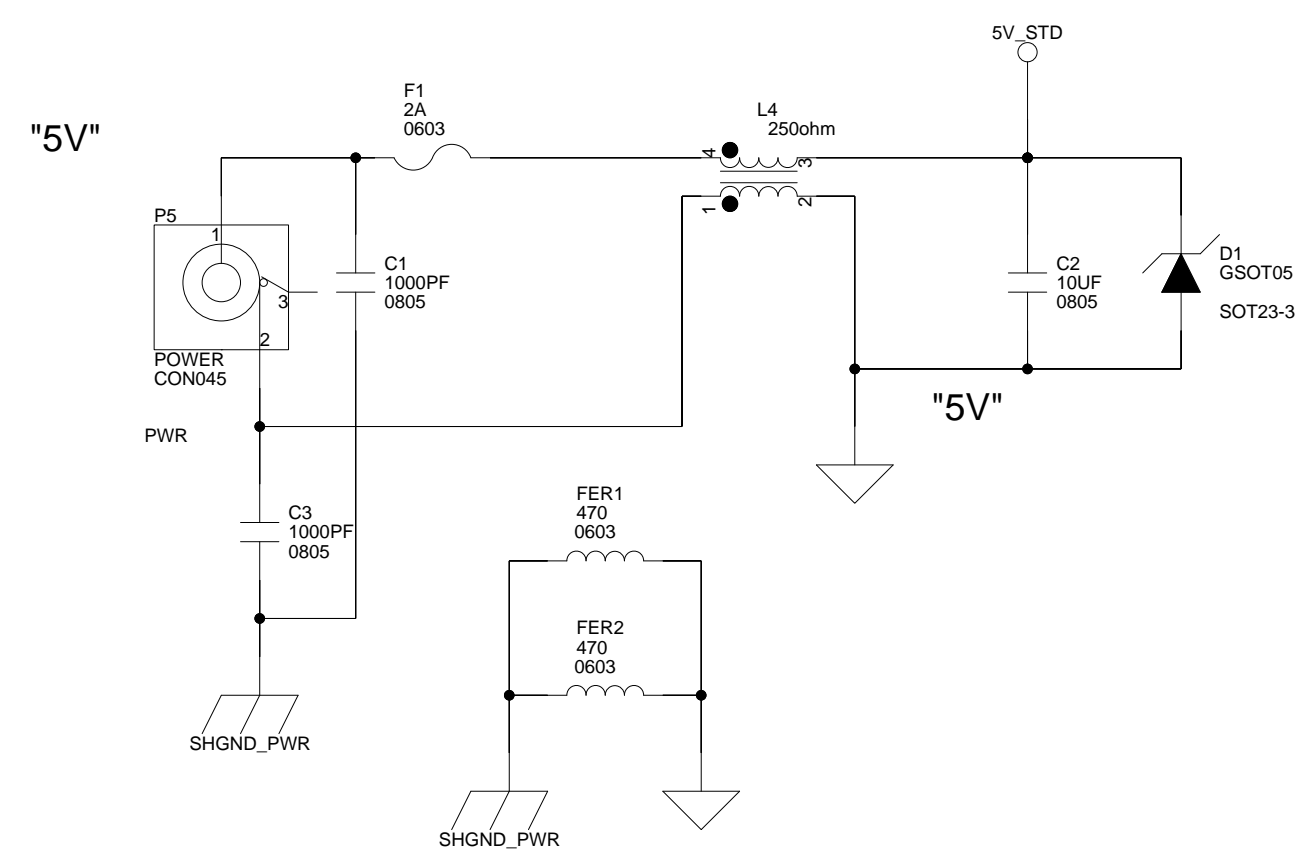
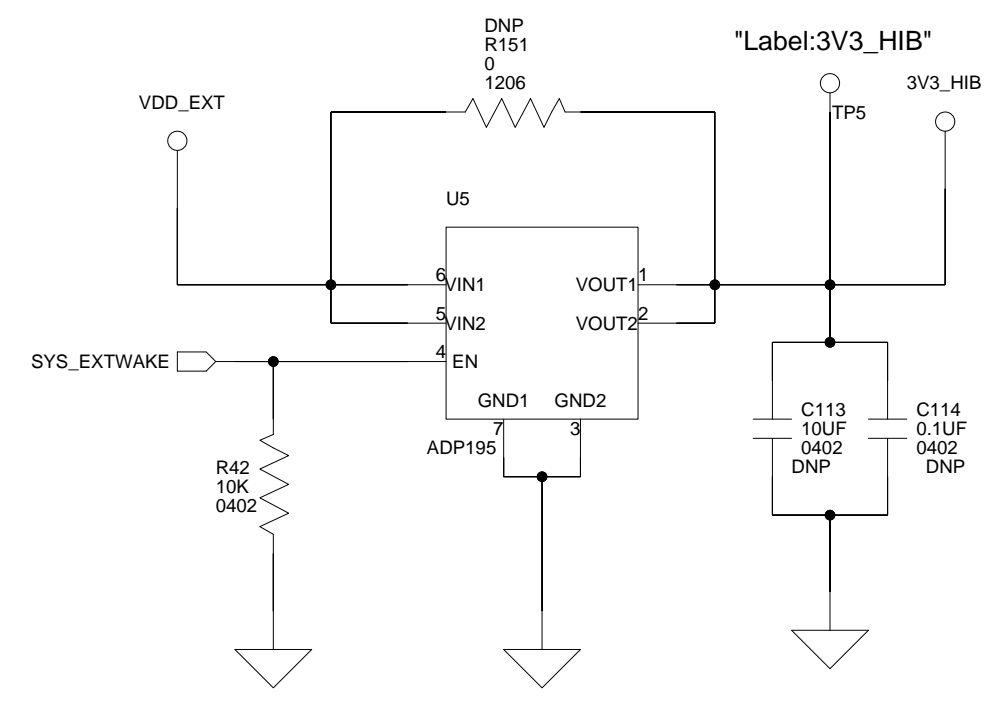
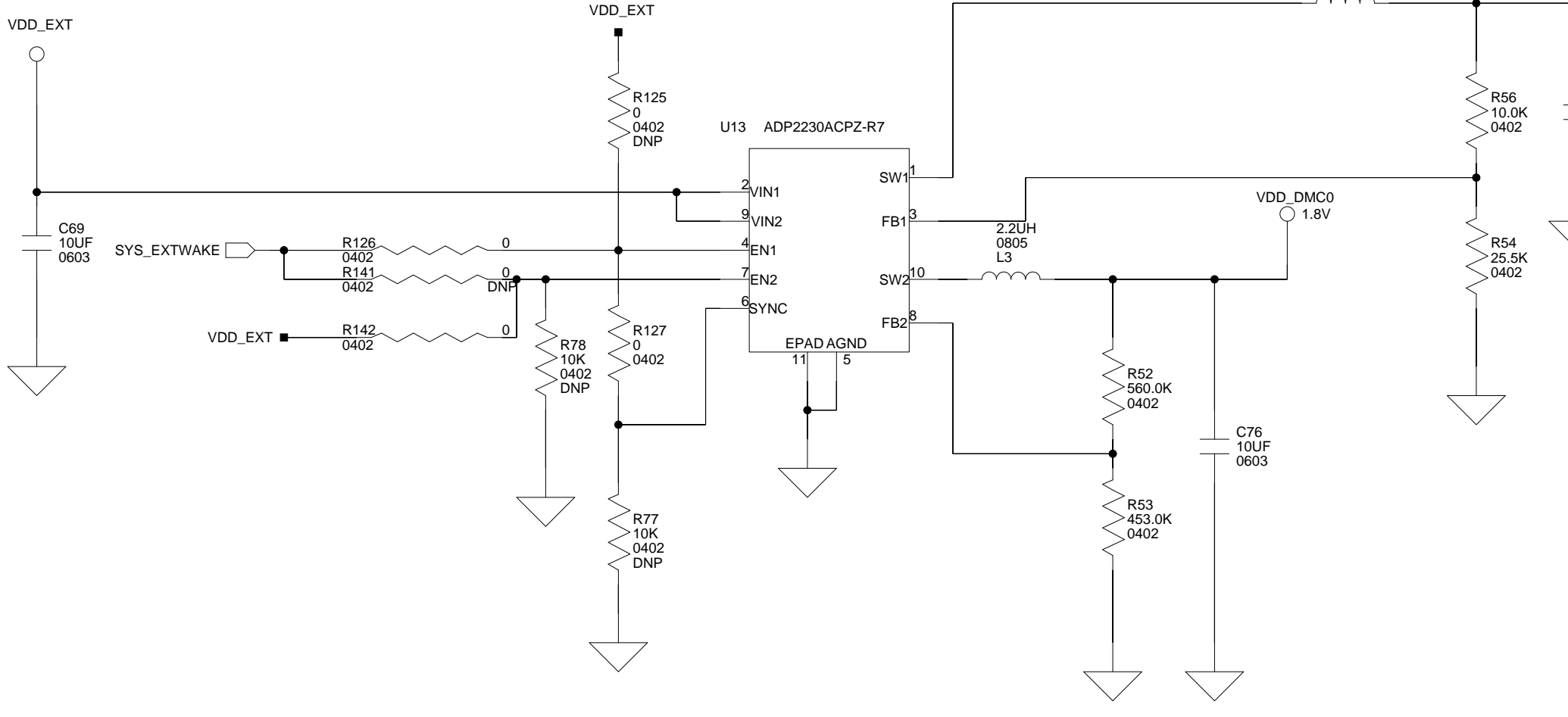
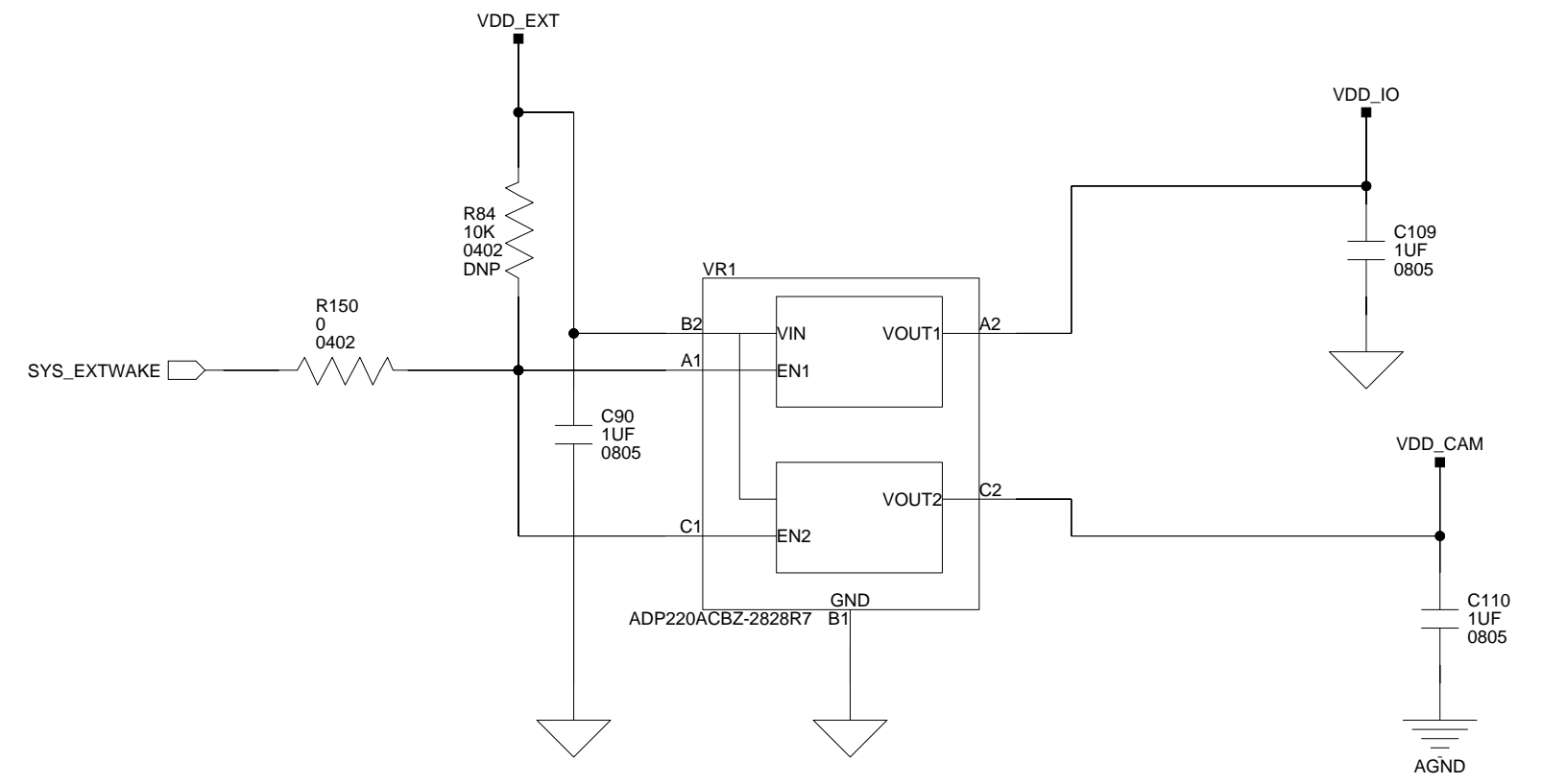
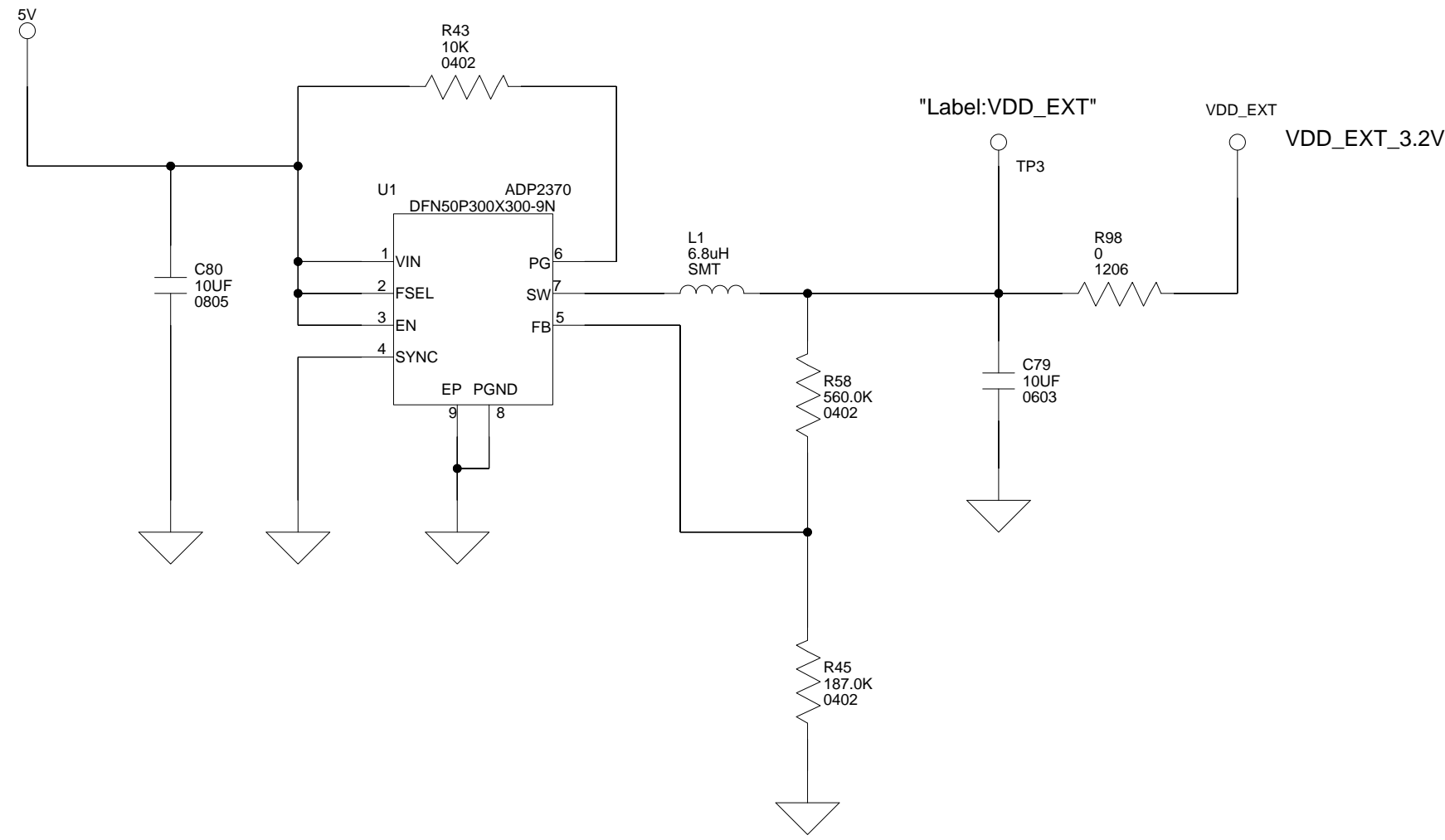
 ANALOG DEVICES		20 Cotton Road Nashua, NH 03063 PH: 1-800-ANALOGD	
		Title BLIP2 IMAGE SENSOR	
Size C	Board No. A0573-2013	Rev 2.1	
Date 23/06/15	Sheet 10		of 11


A

B

C

D



		20 Cotton Road Nashua, NH 03063 PH: 1-800-ANALOGD	
		Title BLIP2 POWER	
Size C	Board No. A0573-2013	Rev 2.1	
Date 23/06/15	Sheet 11 of 11		