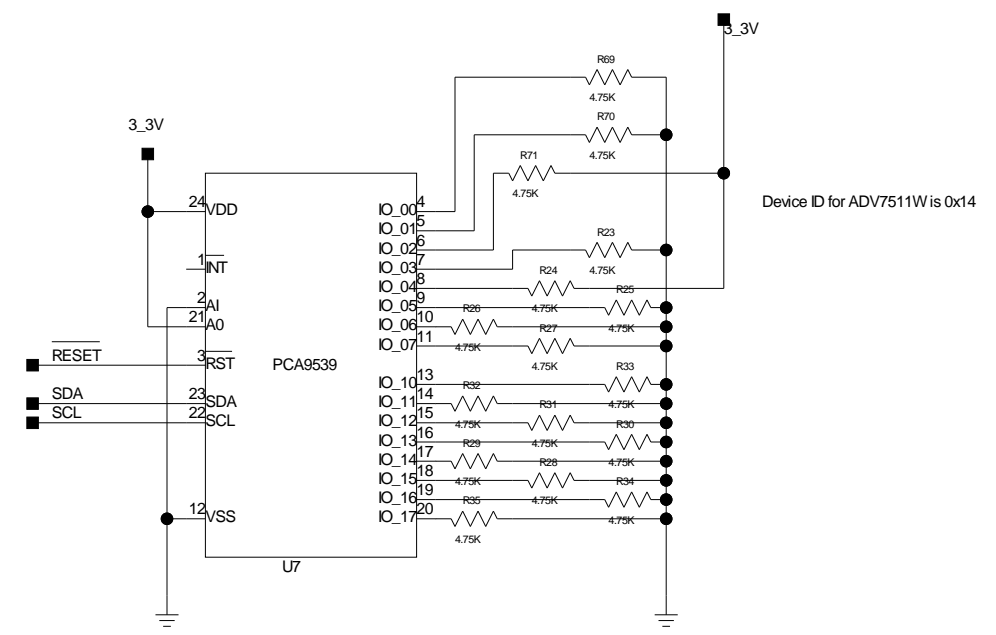
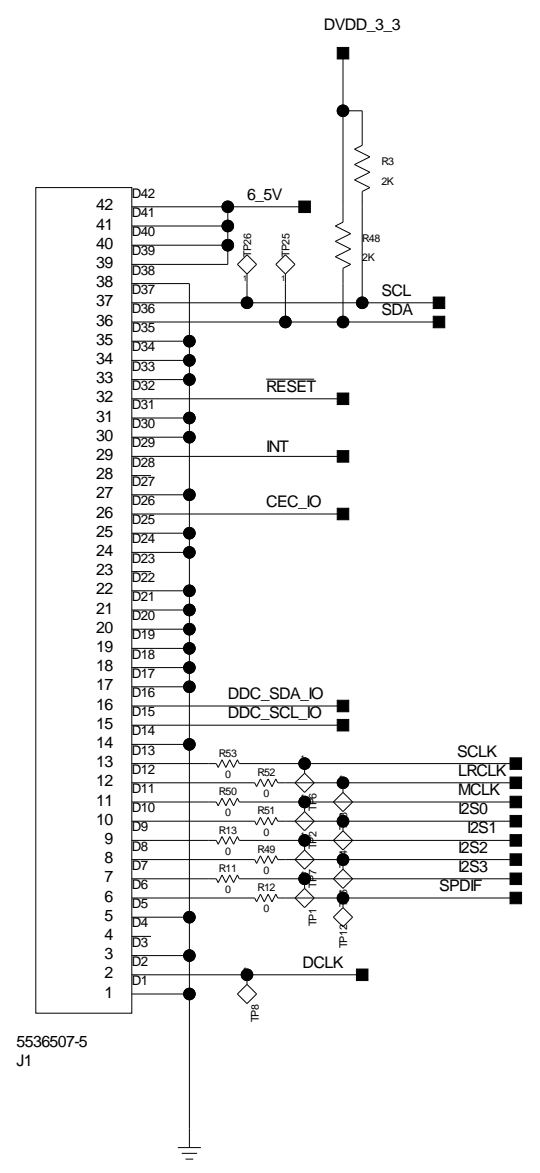
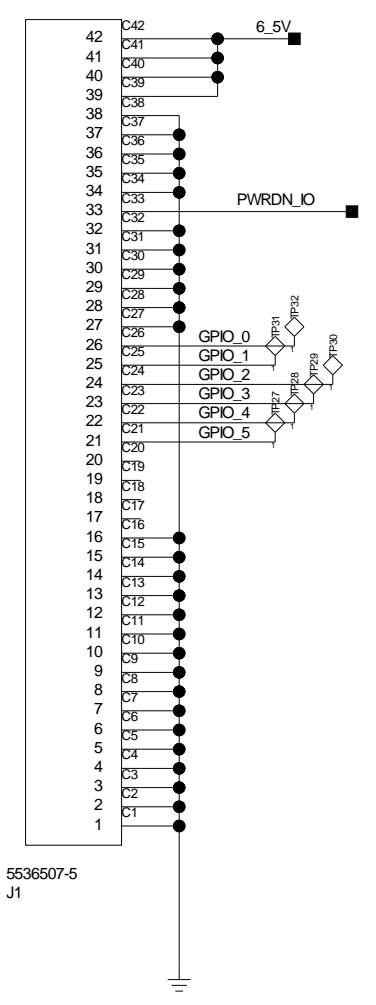
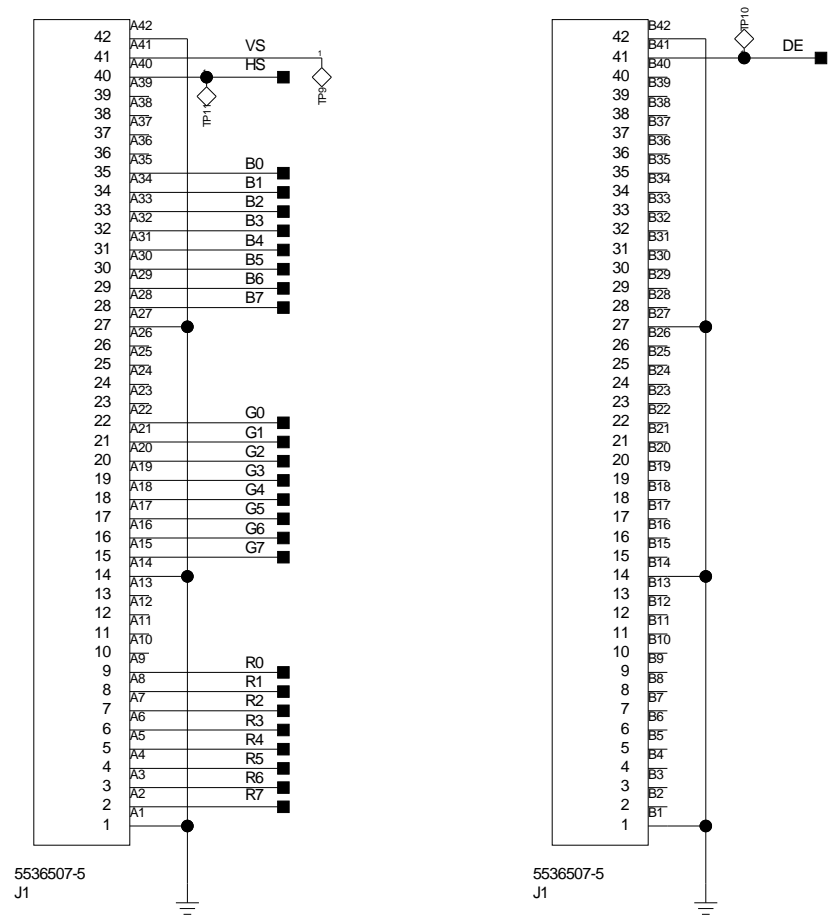


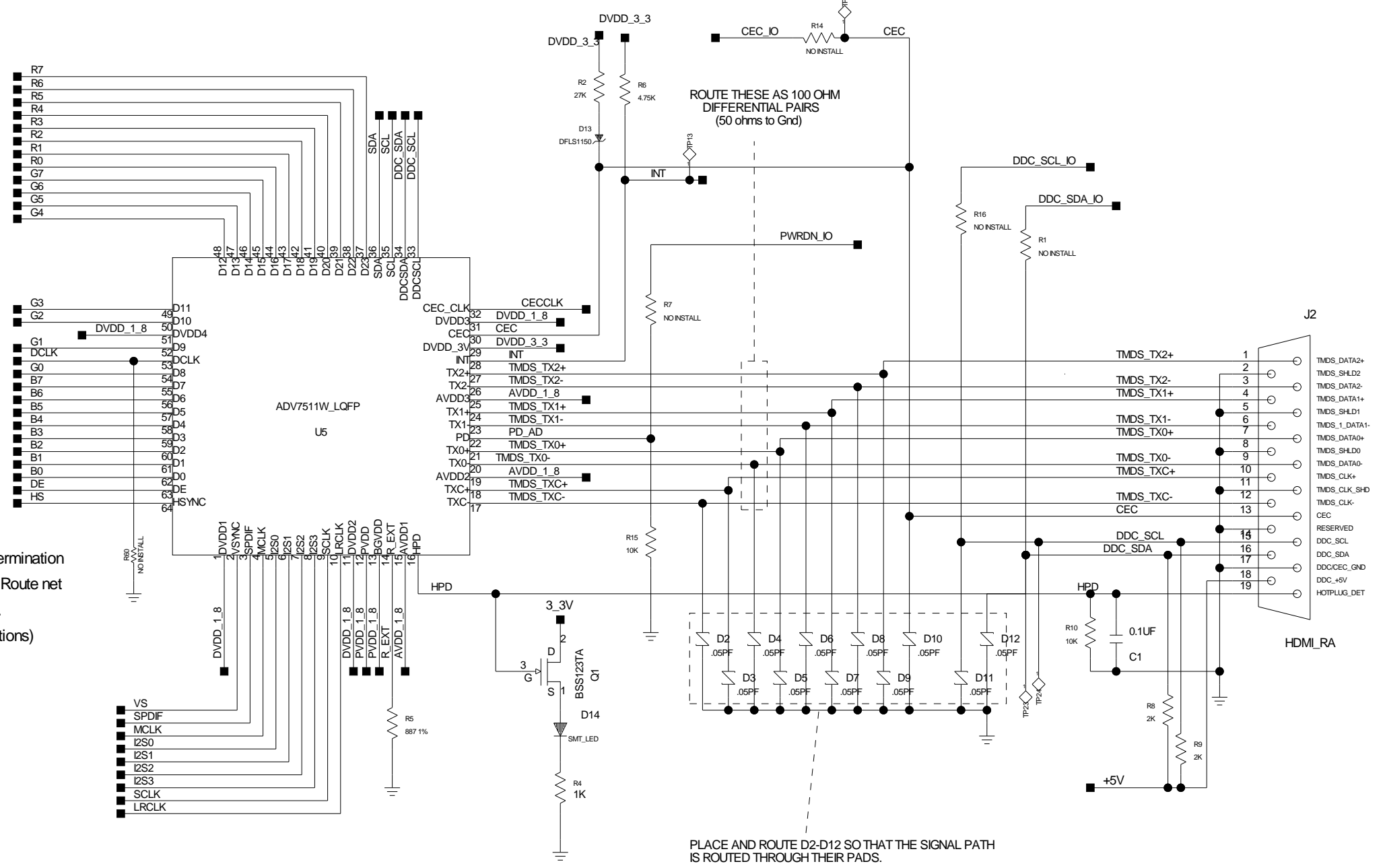
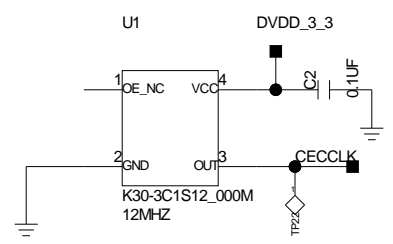
REVISIONS			
REV	DESCRIPTION	DATE	APPROVED



ATV Mother Board Interface Connector and Board ID

	HSC GREENSBORO 7910 TRIAD CENTER DRIVE GREENSBORO NC 27409		TITLE ADV7511W HDMI Tx REFERENCE (type A)	
	DATE:	SHEET 1 OF 3	DRAWN BY: D. JONES	DRAWING NUMBER GS09987A
				REV A

REVISIONS			
REV	DESCRIPTION	DATE	APPROVED
A	Corrected connections to HDMI connector (J2)	12-3-2010	



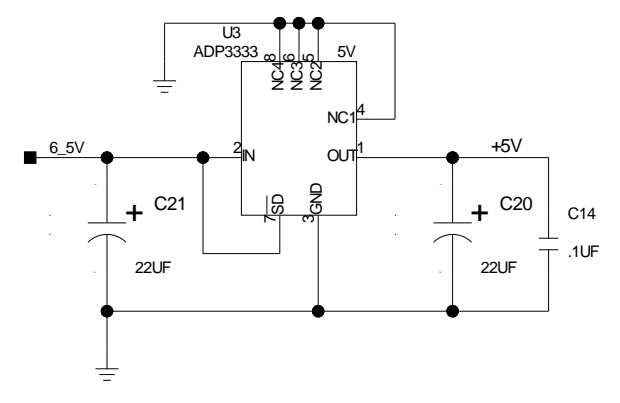
Place this 50 ohm parallel termination as close as possible to U5. Route net through pads of the resistor.
(this resistor is a stuffing options)

PLACE AND ROUTE D2-D12 SO THAT THE SIGNAL PATH IS ROUTED THROUGH THEIR PADS.

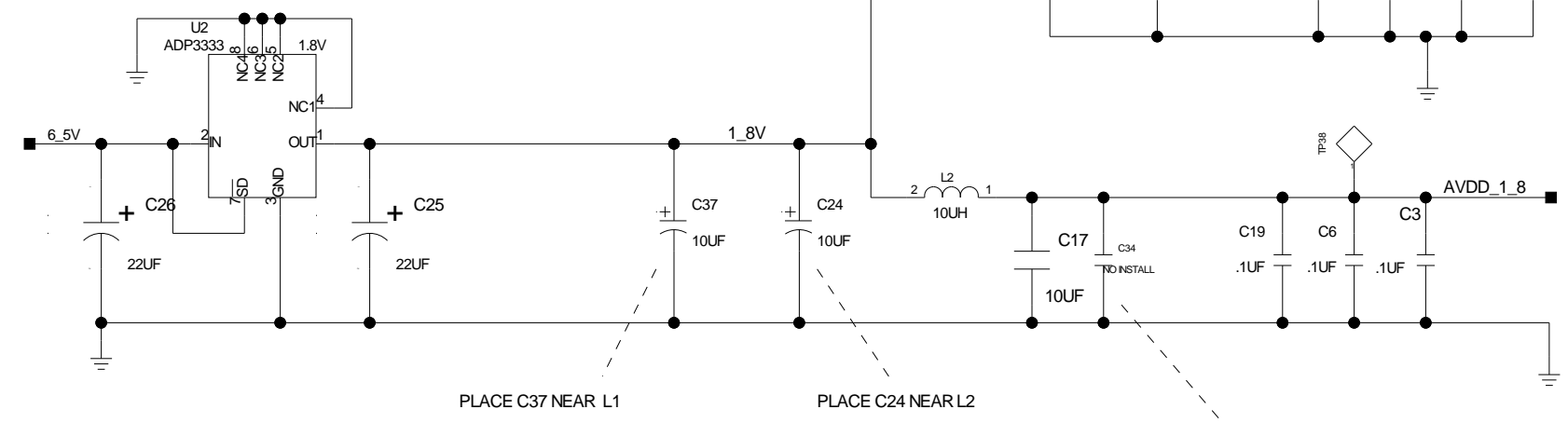
ADV7511W and HDMI OUTPUT

	HSC GREENSBORO 7910 TRIAD CENTER DRIVE GREENSBORO NC 27409		TITLE ADV7511W REFERENCE (type A)	
	DATE:	SHEET 2 OF 3	DRAWN BY: D. JONES	DRAWING NUMBER GS09987A

REVISIONS			
REV	DESCRIPTION	DATE	APPROVED



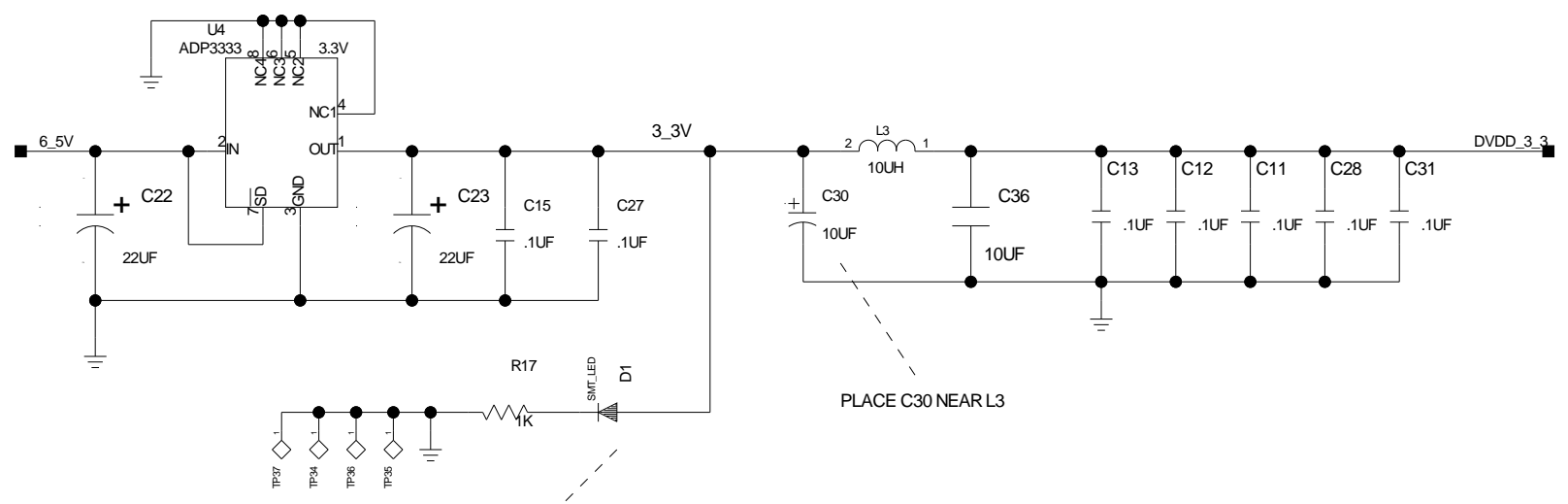
Place 22uF caps near the appropriate LDO.
 Place "input" side 10uF caps near the appropriate inductor.
 Place "output" side 10uF caps near the appropriate bypass caps.



PLACE C37 NEAR L1

PLACE C24 NEAR L2

PLACE C34 NEXT TO (IN PARALLEL) TO C17



PLACE C30 NEAR L3

ADD TEXT TO SILKSCREEN: "PWR ON"

	HSC GREENSBORO 7910 TRIAD CENTER DRIVE GREENSBORO NC 27409		TITLE ADV7511W REFERENCE (type A)	
	DATE:	SHEET 3 OF 3	DRAWN BY: D. JONES	DRAWING NUMBER GS09987A