

6

5

4

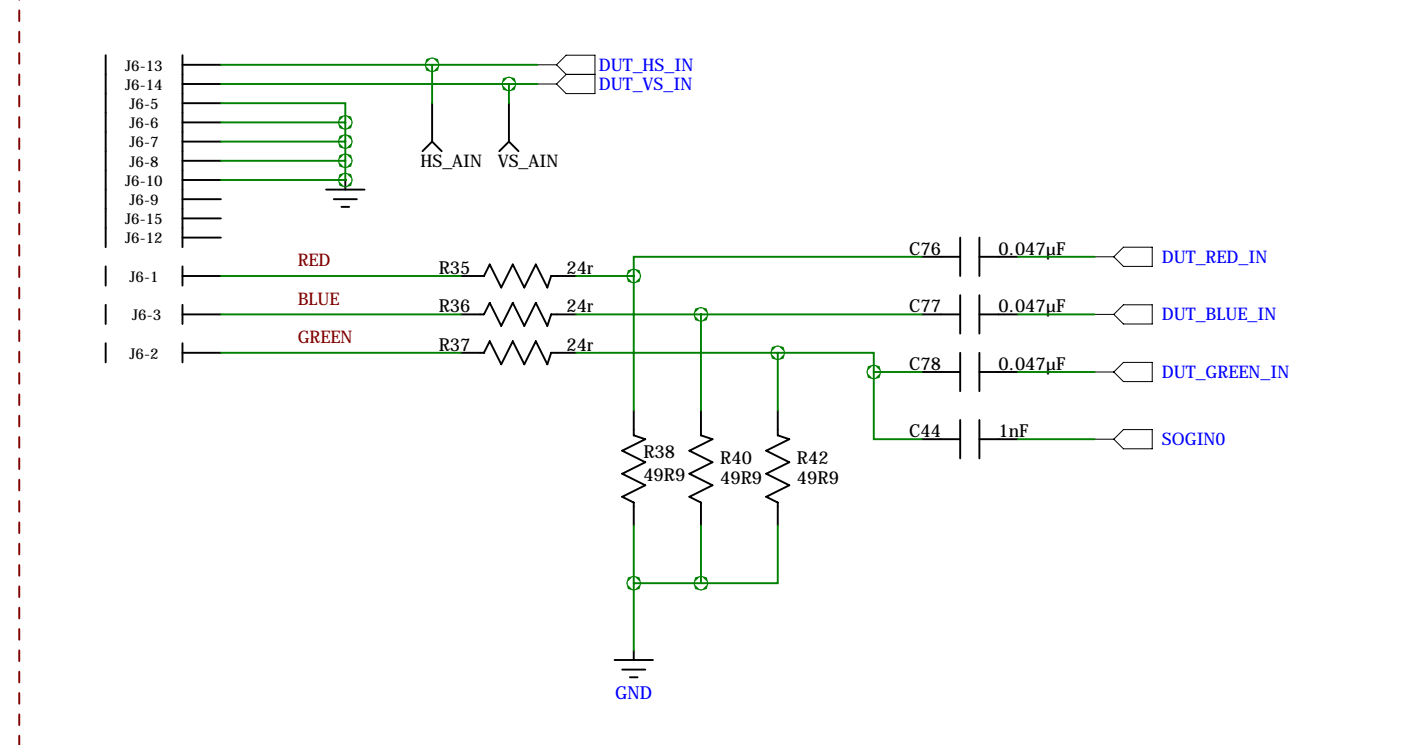
3

2

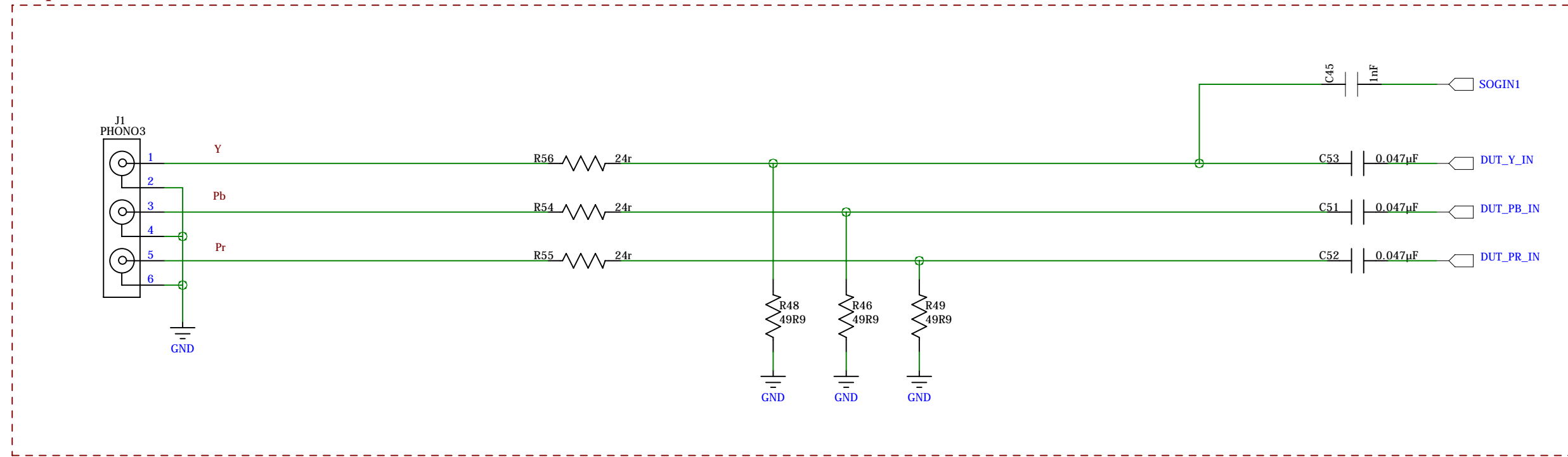
1

REVISION RECORD			
LTR	ECO NO:	APPROVED:	DATE:

VGA Connector



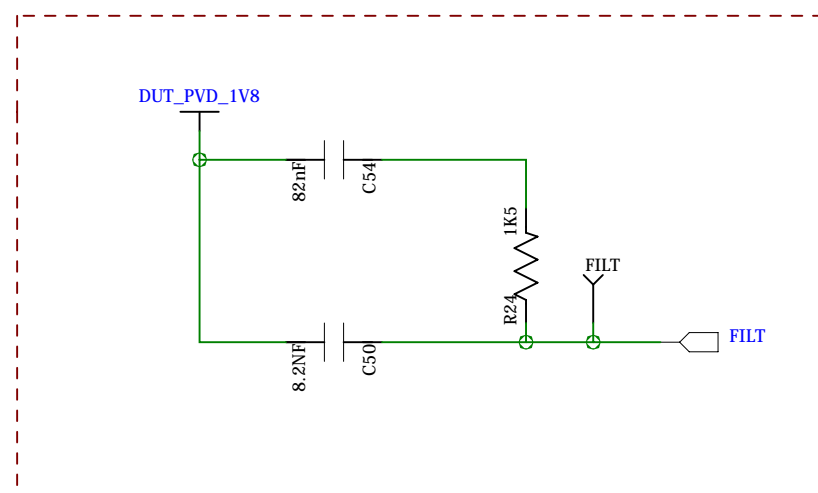
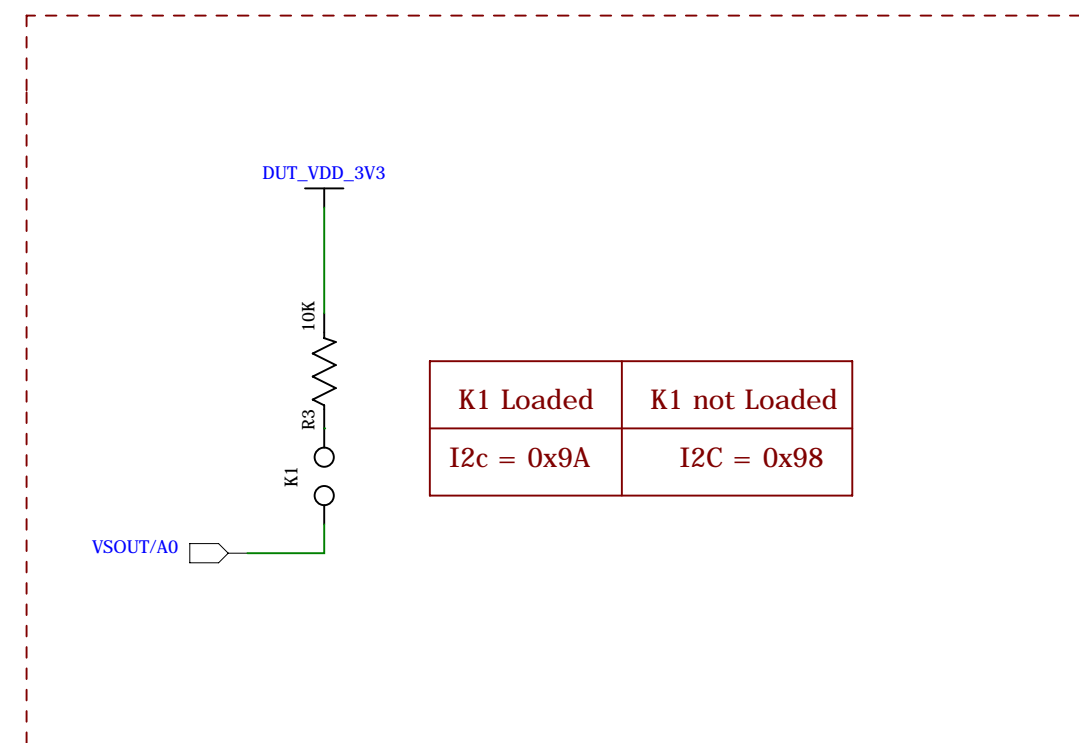
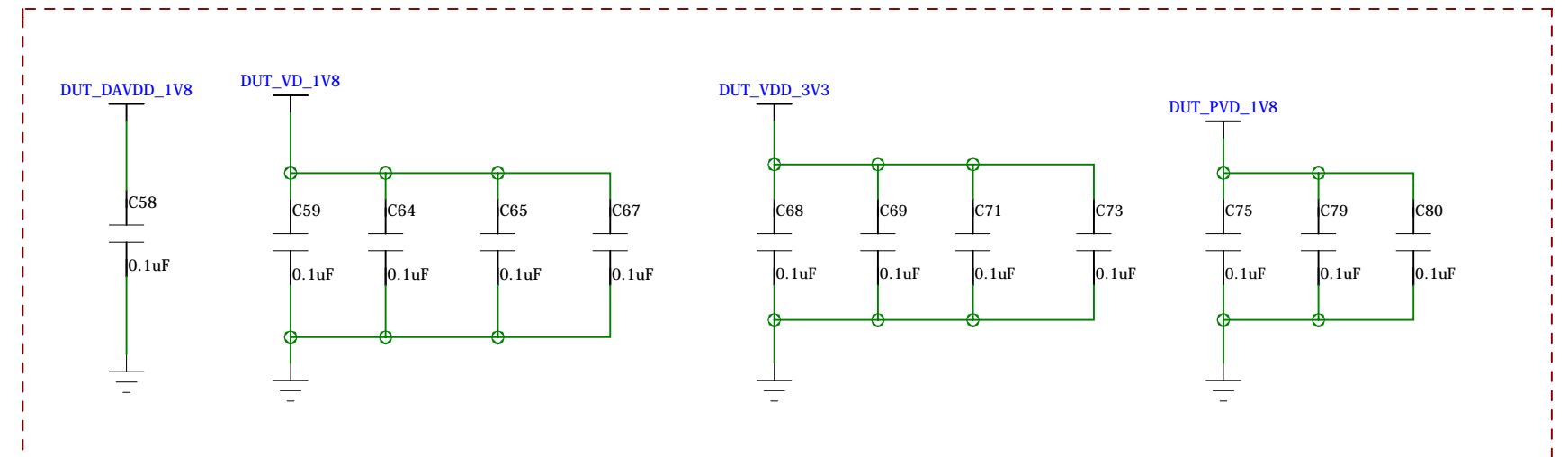
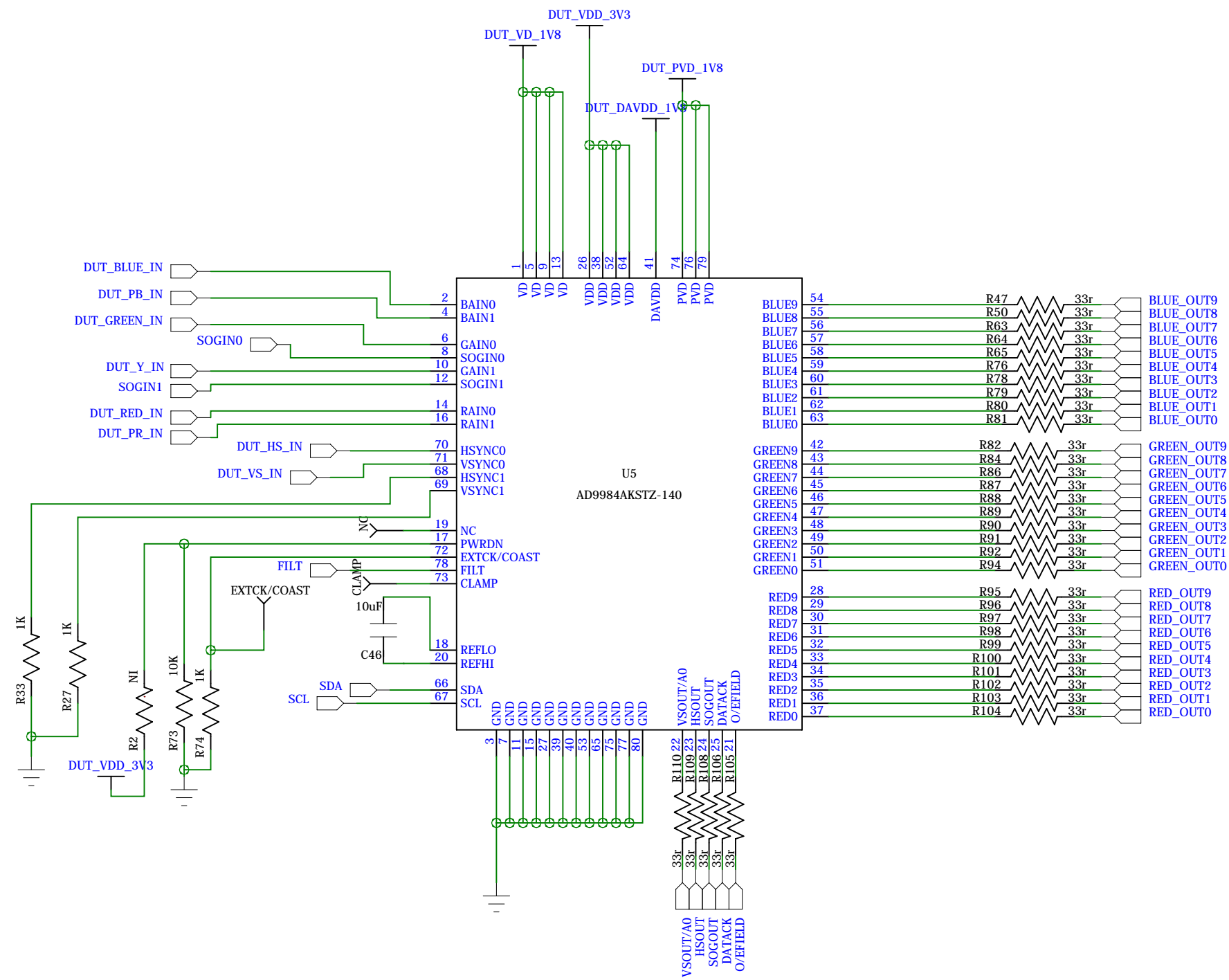
Component Connector



Place analog inputs as far apart as possible while maintaining similar trace lengths
 Trace impedance of analog inputs to be 75 ohms
 Termination resistors should be placed as close as possible to end of line

COMPANY:				Analog Devices			
TITLE:				AD9984			
DRAWN: Graham Britchfield	DATED: June 2013	CODE:	SIZE:	DRAWING NO:	REV:		
CHECKED: <Checked By>	DATED: <Checked Date>	<Code>	A2	Rev. 0	0		
QUALITY CONTROL: <QC By>	DATED: <QC Date>	SCALE: <Scale>		SHEET: 1 OF 6			
RELEASED: <Released By>	DATED: <Release Date>						

REVISION RECORD			
LTR	ECO NO:	APPROVED:	DATE:



COMPANY: Analog Devices			
TITLE: AD9984			
DRAWN: Graham Britchfield	DATED: June 2013	CODE:	SIZE: A2
CHECKED: <Checked By>	DATED: <Checked Date>	<Code>	DRAWING NO: Rev. 0
QUALITY CONTROL: <QC By>	DATED: <QC Date>		REV: 0
RELEASED: <Released By>	DATED: <Release Date>	SCALE: <Scale>	SHEET: 2 OF 6

6

5

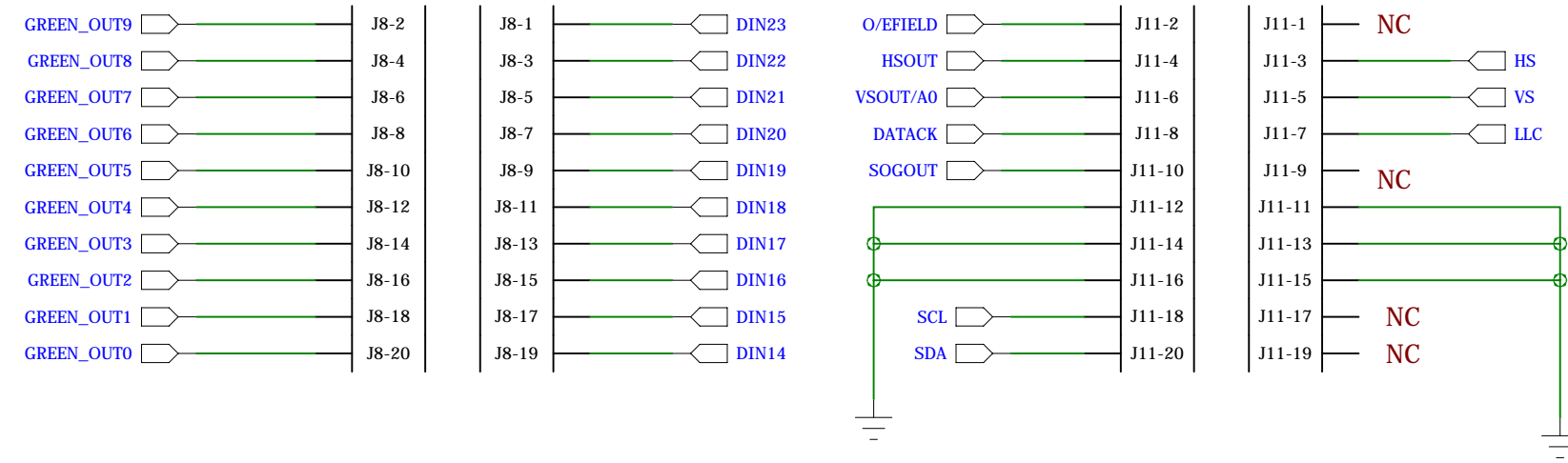
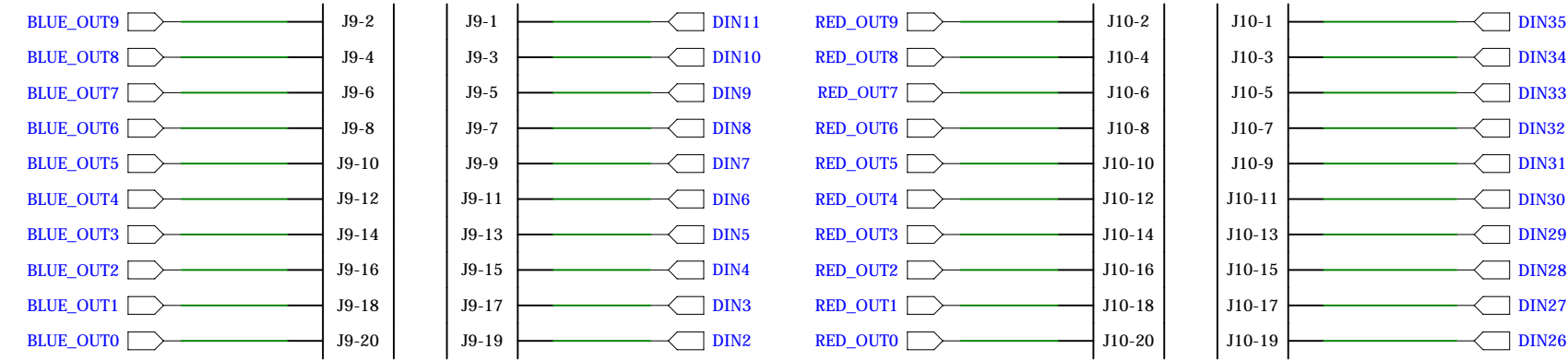
4

3

2

1

REVISION RECORD			
LTR	ECO NO:	APPROVED:	DATE:



COMPANY:				Analog Devices			
TITLE:				AD9984			
DRAWN: Graham Britchfield	DATED: June 2013	CODE:	SIZE:	DRAWING NO:	REV:		
CHECKED: <Checked By>	DATED: <Checked Date>	<Code>	A2	Rev. 0	0		
QUALITY CONTROL: <QC By>	DATED: <QC Date>	SCALE: <Scale>		SHEET: 3 OF 6			
RELEASED: <Released By>	DATED: <Release Date>						

6

5

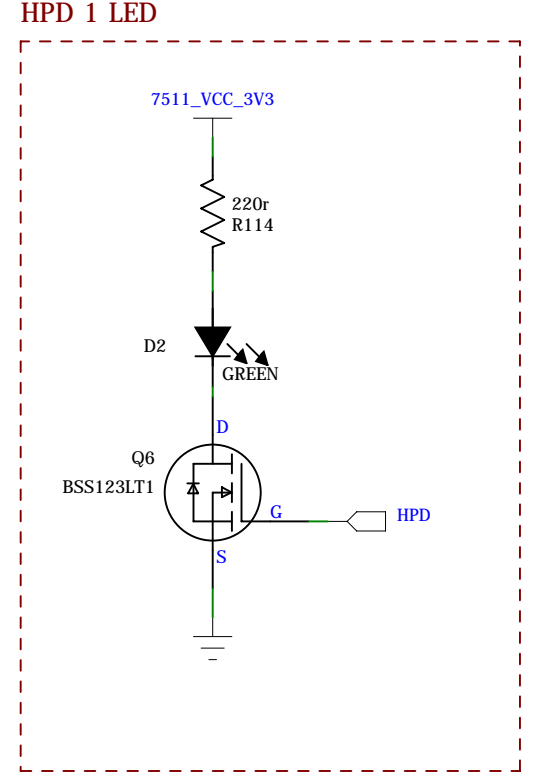
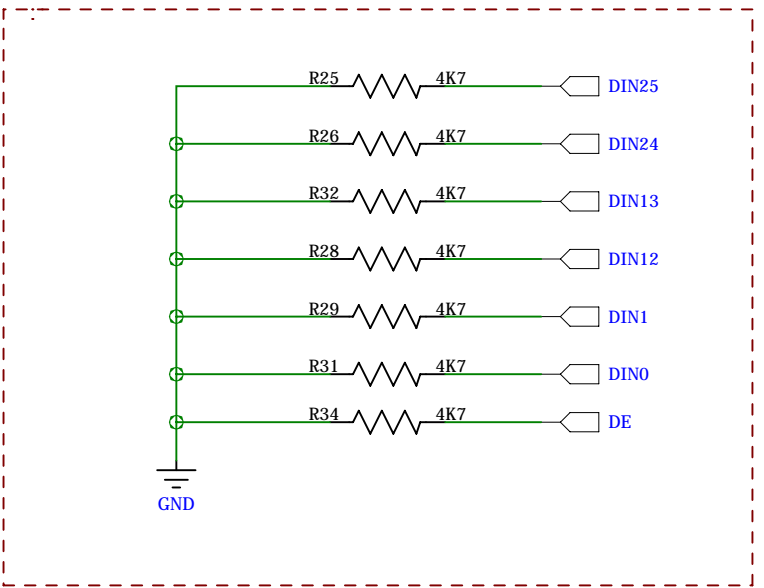
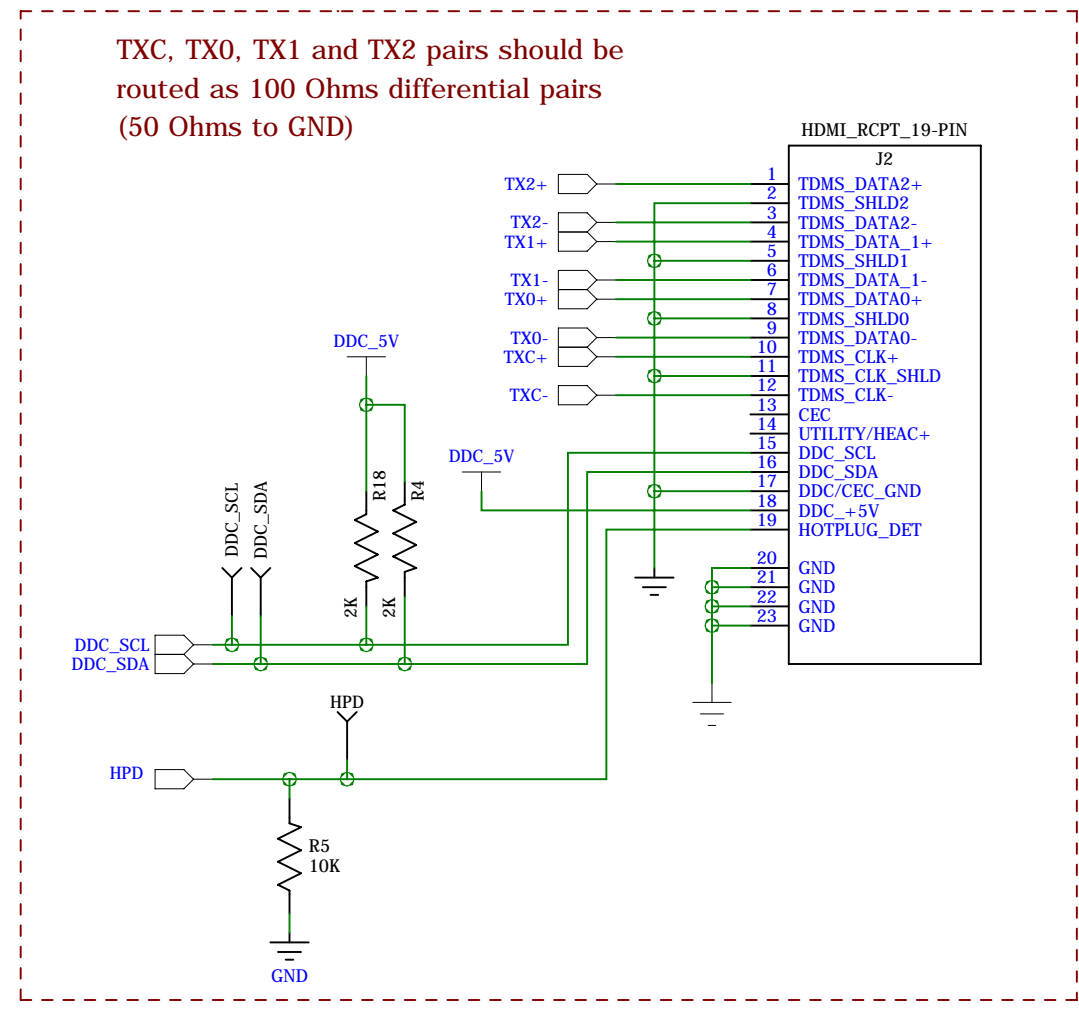
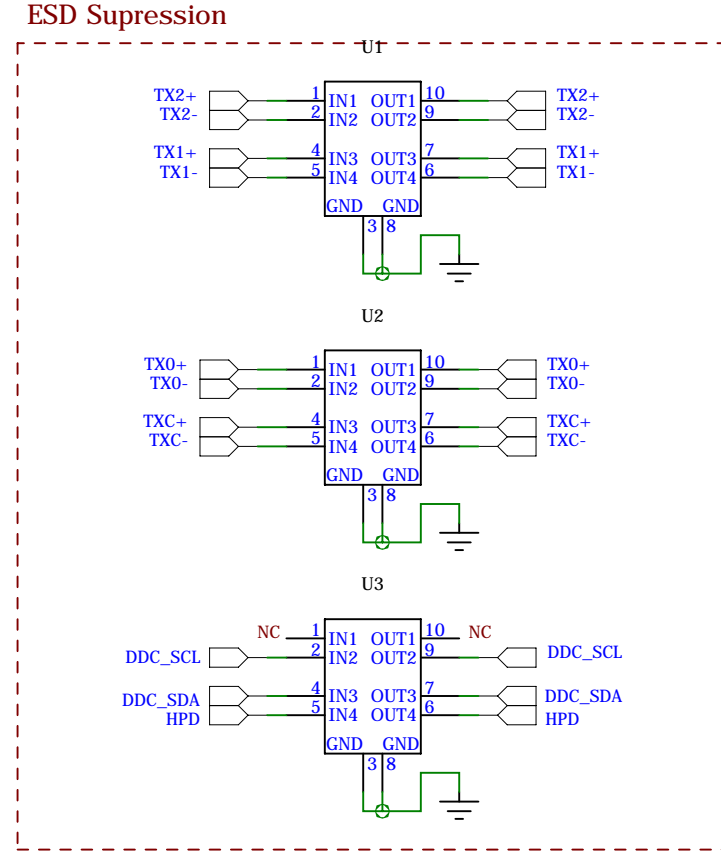
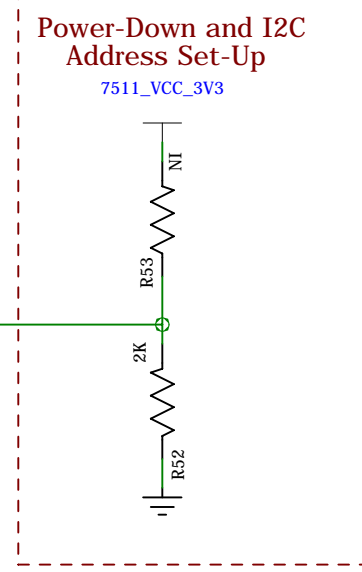
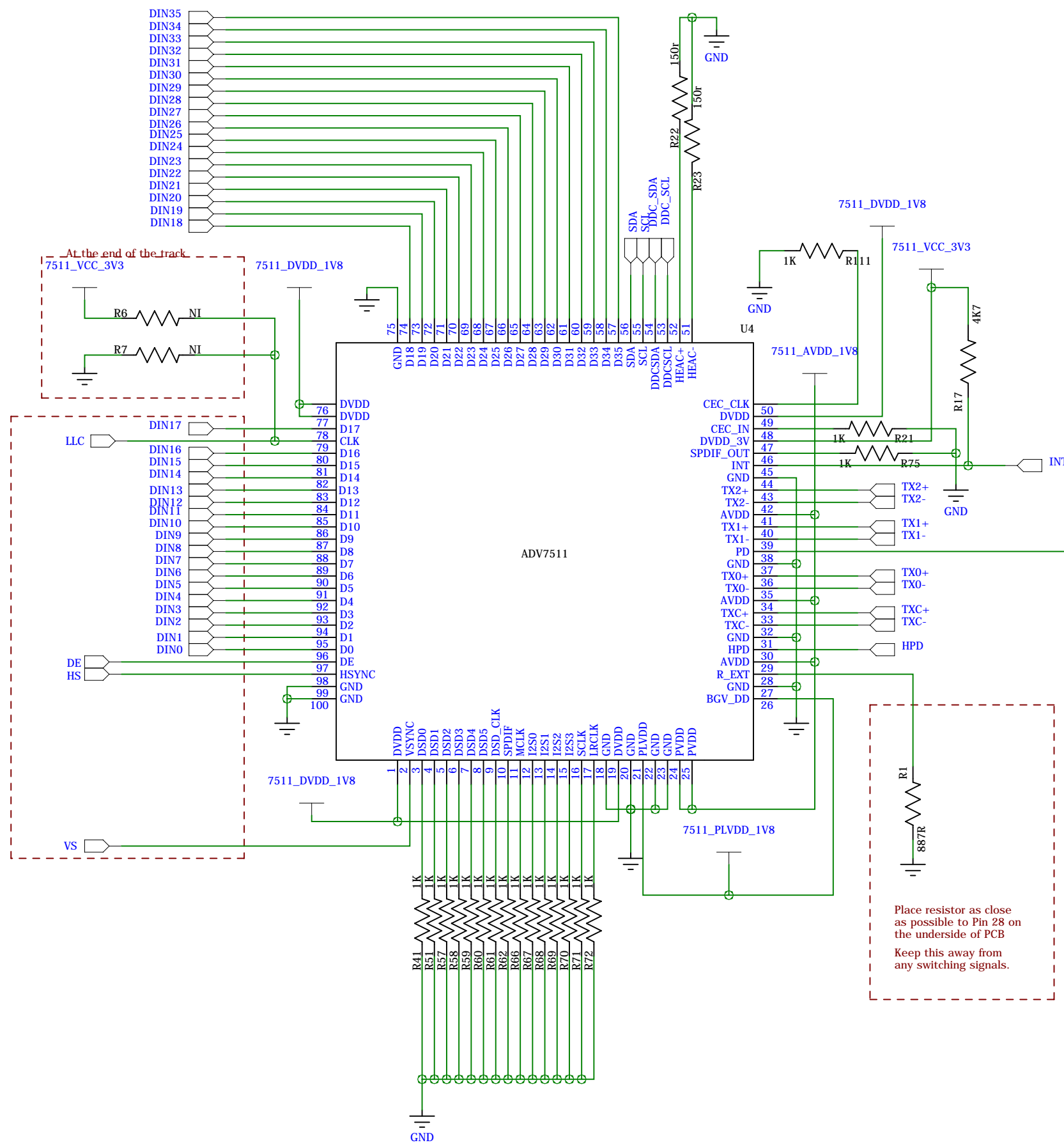
4

3

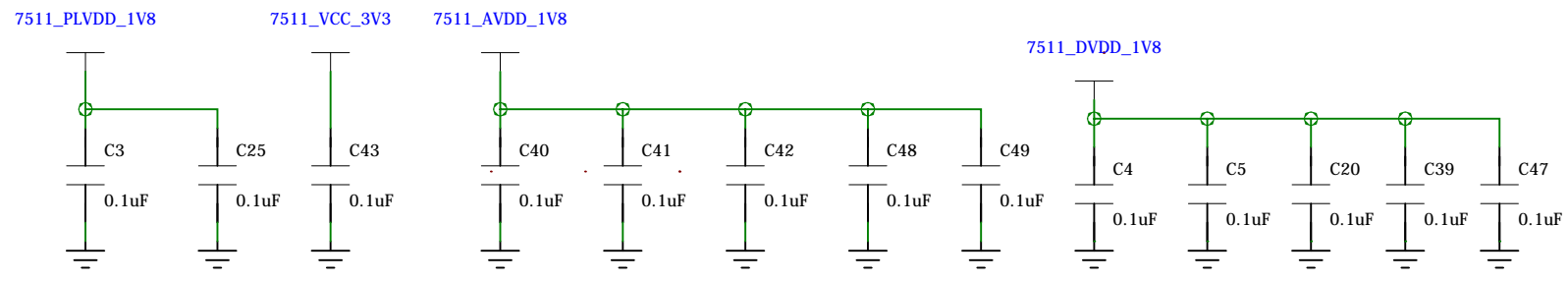
2

1

REVISION RECORD			
LTR	ECO NO:	APPROVED:	DATE:

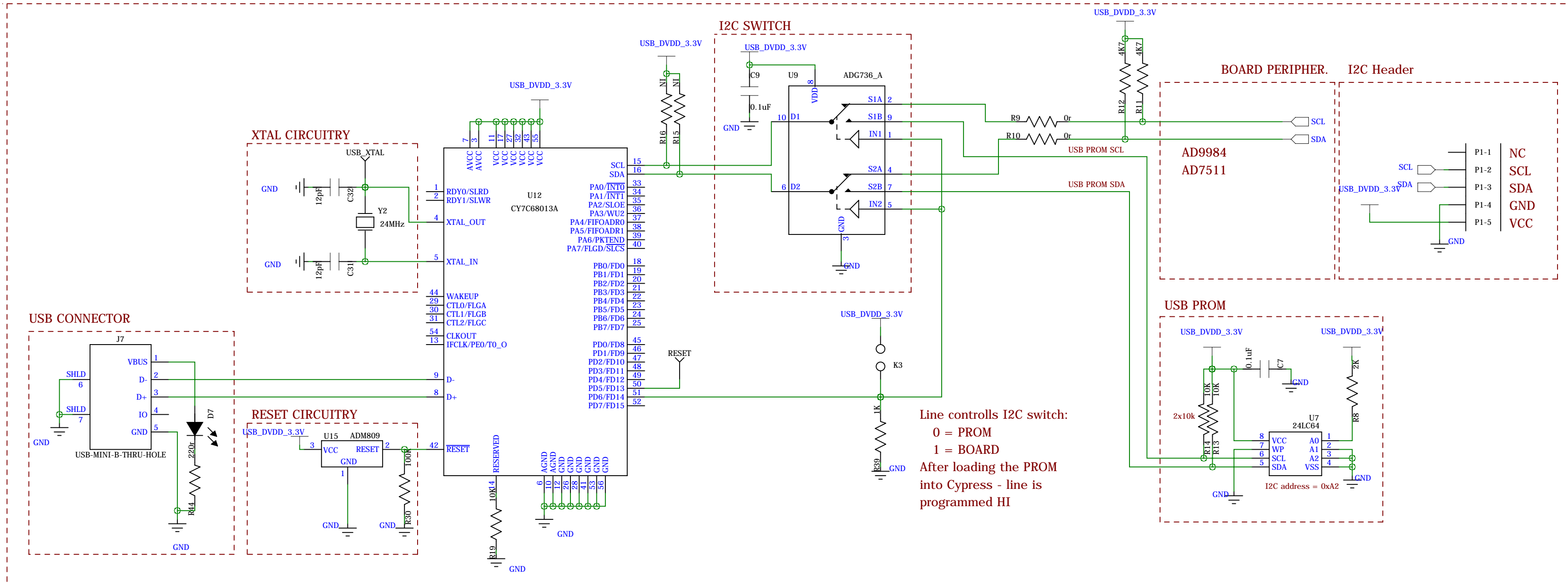


ADV7511 Bypass

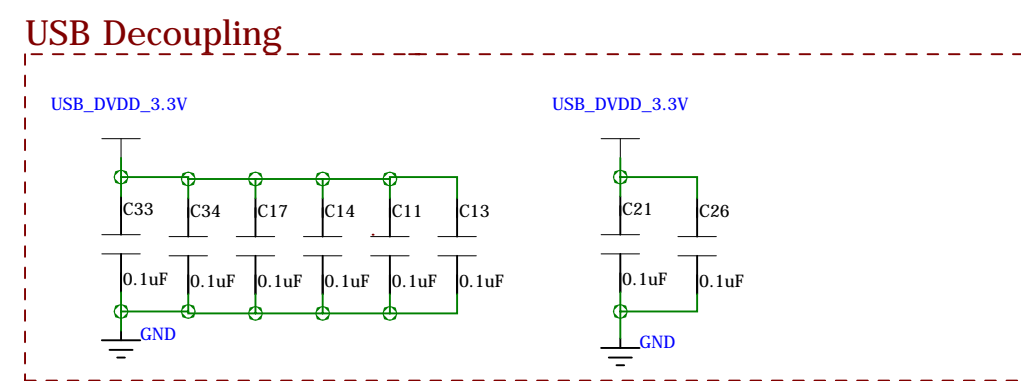


COMPANY: Analog Devices			
TITLE: AD9984			
DRAWN: Graham Britchfield	DATED: June 2013	CODE:	SIZE: A2
CHECKED:	DATED:	DRAWING NO:	REV: 0
QUALITY CONTROL:	DATED:	SCALE:	SHEET: 4 OF 6
RELEASED:	DATED:		

REVISION RECORD			
LTR	ECO NO:	APPROVED:	DATE:



Line controls I2C switch:
 0 = PROM
 1 = BOARD
 After loading the PROM into Cypress - line is programmed HI



COMPANY:				Analog Devices			
TITLE:				AD9984			
DRAWN: Graham Britchfield	DATED: June 2013	CODE:	SIZE:	DRAWING NO:	REV:		
CHECKED: <Checked By>	DATED: <Checked Date>	<Code>	A2	Rev. 0	0		
QUALITY CONTROL: <QC By>	DATED: <QC Date>						
RELEASED: <Released By>	DATED: <Release Date>	SCALE: <Scale>		SHEET: 5 OF 6		6	

