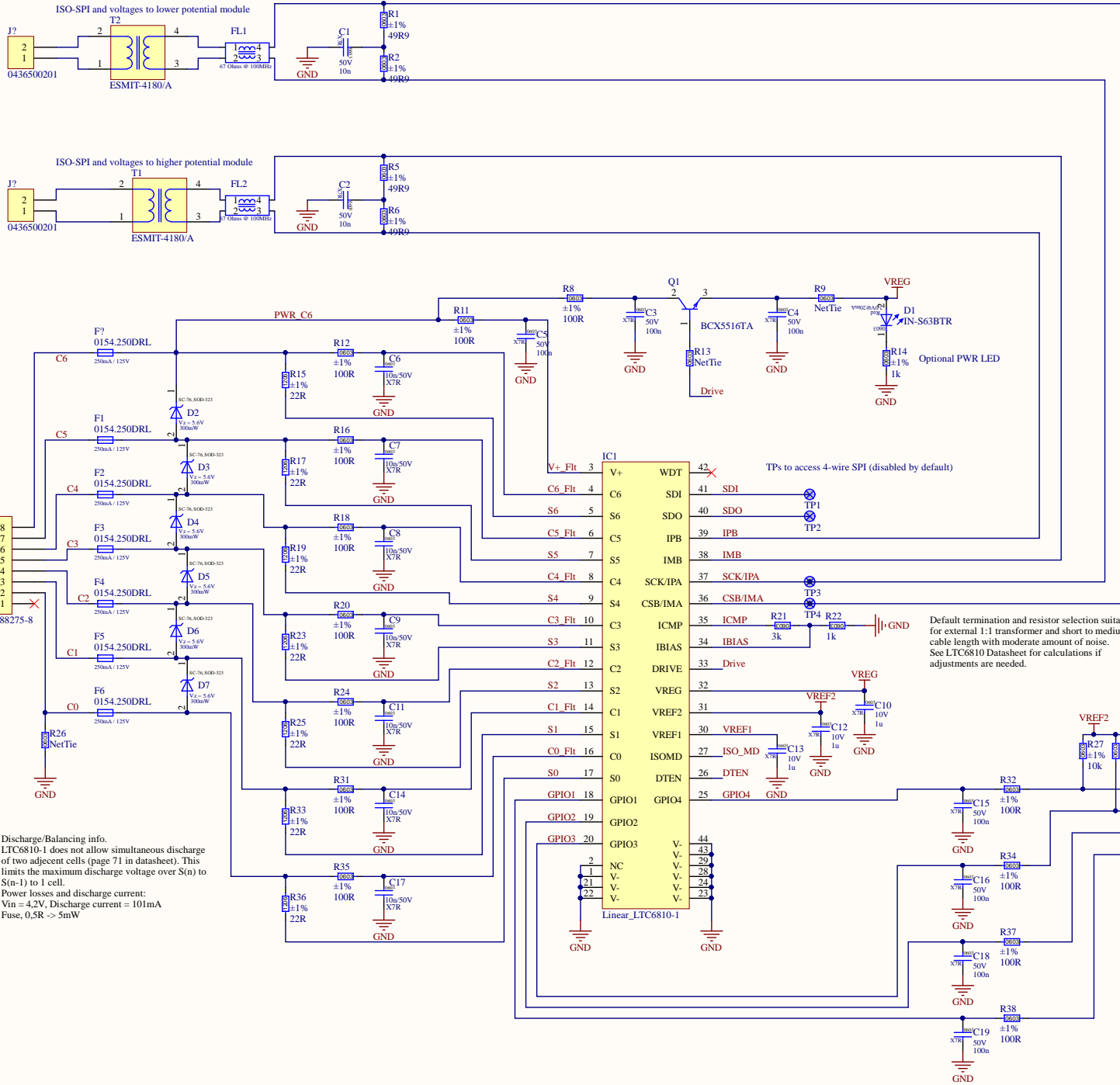


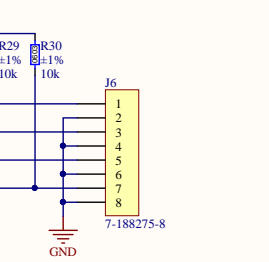
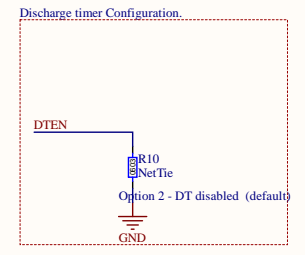
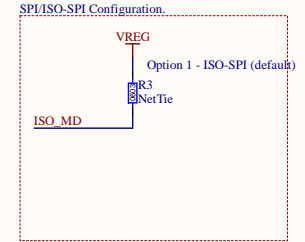
For the lowest board in the stack, communication wire will leave the battery module to interface to the Master BMS and in that case go through a connector with higher insulation rating.



Discharge/Balancing info.  
 LTC6810-1 does not allow simultaneous discharge of two adjacent cells (page 71 in datasheet). This limits the maximum discharge voltage over S(n) to S(n-1) to 1 cell.  
 Power losses and discharge current:  
 $V_{in} = 4.2V$ , Discharge current = 101mA  
 Fuse, 0.5R -> 5mW

Default termination and resistor selection suitable for external 1:1 transformer and short to medium cable length with moderate amount of noise. See LTC6810 Datasheet for calculations if adjustments are needed.

Connector for up to 4 pairs of 10k NTC thermistors.



Part title		Cannot open file C:\Users\Emil\Pictures\Knightec50.png		
Part number	Sheet Name	All information contained herein is confidential and/or proprietary to Knightec. All and any unauthorized disclosure or utilization is expressly prohibited. Offenders will be held liable for any damages suffered.		
Part revision	Author	SVN Revision	CAD System	Format
	Emil Edvardsson	Not in version control	AD 18	A3
Part variant	Last approved by	Revised	Sheet	
[No Variations]	*	2019-10-21 15:45:09	1 of 1	

BOARD STACK REPORT